

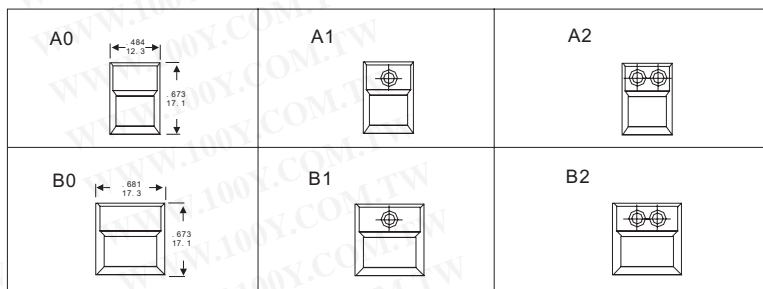
DIP微小型按键开关



规格:

- 规定值: 50mA 24V DC (Minimum 1 mA current is acceptable)
- 初始接点阻抗: 20mΩ max. (AC 200μ V, 5mA)
- 电介质强度: 250V AC 1 minute (除了LED 两端之间)
- 绝缘阻抗: 100MΩ min. (250V DC megger)
- 电气寿命: 200,000 operations (电压和电流值)
- 静电容量: 1.5PF max. (1MHZ)
- 冲击阻抗: 30G (3 directions perpendicular to each other 3 times for each direction)
- 操作温度范围: -25°C TO 75°C

详细产品规格 - 请点击 cn.100y.com.tw

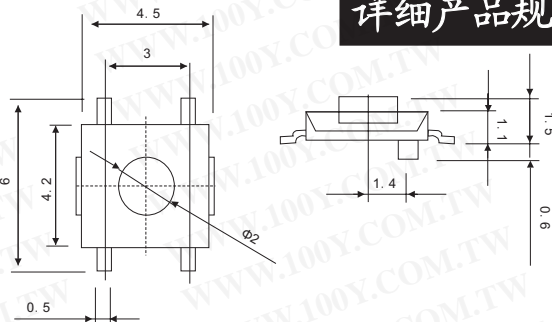


100Y 编号	厂商编号	制造厂商	说明	Pins	Type	Contact Rating
18085	YSP86-A0-SCC02	TAIWAY	DIP Pushbutton Switches	4P	小透明盖	50mA 24Vdc
18092	YSP86-A1-3-3C02	TAIWAY	DIP Pushbutton Switches	6P	绿色小盖带绿 LED	50mA 24Vdc
18088	YSP86-A1-SC1C02	TAIWAY	DIP Pushbutton Switches	6P	透明小盖带单红 LED	50mA 24Vdc
18091	YSP86-A2-332C02	TAIWAY	DIP Pushbutton Switches	8P	绿色小盖带绿、黄 LED	50mA 24Vdc
18090	YSP86-A2-SC13C02	TAIWAY	DIP Pushbutton Switches	8P	透明小盖带红、绿 LED	50mA 24Vdc
18087	YSP86-B0-SCC02	TAIWAY	DIP Pushbutton Switches	4P	大透明盖	50mA 24Vdc
18089	YSP86-B1-SC1C02	TAIWAY	DIP Pushbutton Switches	6P	透明大盖带单红 LED	50mA 24Vdc
27943	YSP86-B2-SC1C02	TAIWAY	DIP Pushbutton Switches	8P	透明大盖带双红、绿 LED	50mA 24Vdc

SMD微小形按键开关



按钮颜色: 黑色

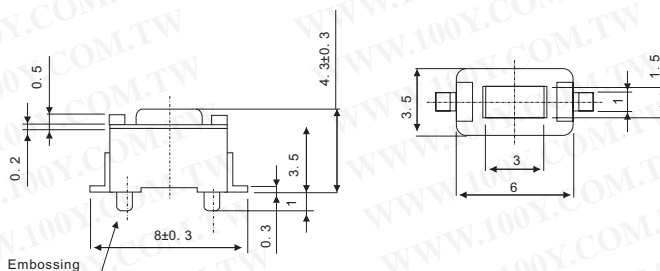


TS 4417
DC 12V 50mA
0.2±0.1m/m
160 or 250±30gf
50mΩ MAX
100,000Cycles

100Y 编号	厂商编号	说明	Pins	Type	Contact Rating	Button Color
12032	TS4417-180g	SMD 小型开关	4	OFF-ON	12Vdc/50mA	Black

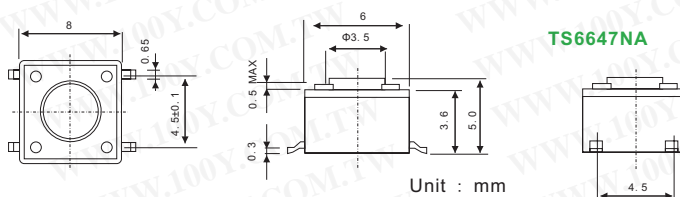


按钮颜色: 白色



TS 6301E
DC 12V 50mA
0.25±0.1m/m
180 or 250±30gf
100mΩ MAX
50,000Cycles

100Y 编号	厂商编号	说明	Pins	Type	Contact Rating	Button Color
27103	TS6301E180G	SMD 微小型按键开关	2	OFF-ON 无段	12Vdc/50mA	White
8360	TS6301E180G	SMD 微小型按键开关	2	OFF-ON 无段	12Vdc/50mA	White



100Y 编号	厂商编号	制造厂商	说明	Pins	Type	Contact Rating	Button Color
23421	TS6647NA-160G-N	Kingtek	SMD 按键开关	4	OFF-ON 无段	12Vdc/50mA	黑色
23422	TS6647SA-160g-N	Kingtek	SMD 按键开关 6*6*5mm	4	OFF-ON 无段	12Vdc/50mA	黑色

