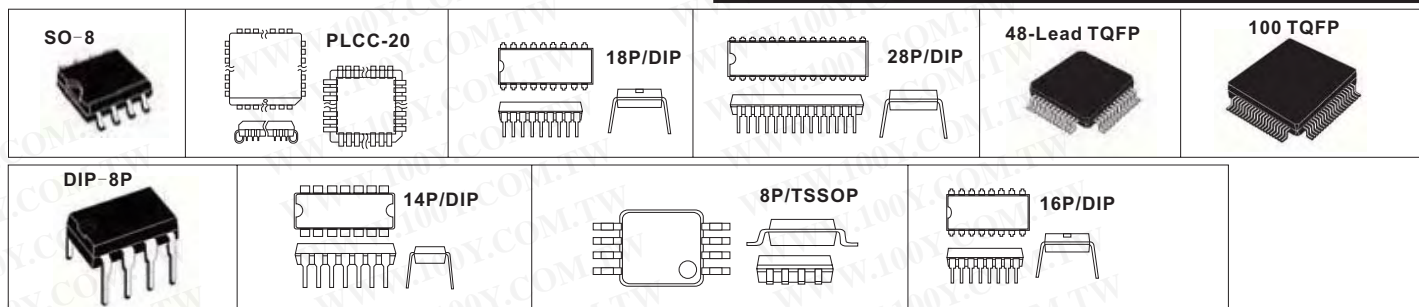


# 讯号转换控制IC

## 8-Bit 数位转线性转换 IC

详细产品规格 - 请点击 [cn.100y.com.tw](http://cn.100y.com.tw)



100Y 编号	厂商编号	制造厂商	说明	Pin/Package	Serial/Parallel	Setting Time	Diff. Non-Linearity	Inte. Non-Linearity	Sup. Volt. Range	
32296	AD558KN	ADI	DACPORT Low Cost, Complete Mp-Compatible 8-Bit DAC	16P/DIP	P	3.0u		8-bit DAC	+5 V to +15 V	
32409	AD7224KN	ADI	LC2MOS 8-Bit DAC with Output Amplifiers	18P/DIP			±1 LSB max		11.4 V to 16.5 V	
48900	AD7224LR-18	ADI	ADI_SOIC-18	SOIC-18					-0.3V,+17V	
5874	AD7226KN	ADI	Quad 8-bit DAC with o/p amplifiers(Quad 8-Bit D/A Converter)	20P/DIP	P	7µs	±1LSB	±2LSB	11.4~16.5	
44656	AD7226KR	ADI	8-Bit 数位转线性转换 IC	20P/SOP	P	7µs	±1LSB	±2LSB	11.4~16.5	
32423	AD7305BN	ADI	+3 V/+5 V, Rail-to-Rail Quad, 8-Bit DAC	20P/DIP	P	2µs	±1 LSB max	±1 LSB max	2.7-5.5V	
32453	AD7523JN	Intersil	8-Bit, Multiplying D/A Converters	16P/DIP	P	150ns (Max)			+5V to +15V	
24094	AD7524JN	ADI	8-Bit Buffered Multiplying DAC	16P/DIP						
8228	AD7528JN	ADI	8-bit D/A(8-Bit Buffered Multiplying DAC)	20P/DIP	P	400nS	±1 LSB	±1 LSB	5~15	
16440	AD7528KNZ	ADI	8-bit D/A	20P/DIP	S	350nS	±1/2 LSB	±1/2 LSB	5~15V	
32458	AD7533JN	Intersil	8-Bit, Multiplying D/A Converters	16P/DIP	P	150ns (Max)			+5V to +15V	
32461	AD7533KN	Intersil	8-Bit, Multiplying D/A Converters	16P/DIP	P	150ns (Max)			+5V to +15V	
32489	AD7581JN	ADI	CMOS µP-Compatible 8-Bit 8-Channel DAS	28P/DIP	P		±1 LSB		+5V	
17732	AD7628KN	ADI	D to A Converters 8 Bit	20P/DIP	P	34µs	± 1 LSB	± 2LSB	10.8-15.75V	
17890	AD9768JD	ADI	Ultrahigh Speed IC D/A Converter	18P/DIP		5nS	0.2	0.2	±0.5V	
34290	ADV7120KST50	ADI	CMOS 80 MHz, Triple 8-Bit Video DAC	48-Lead TQFP	S		±0.5 LSB max	±1 LSB max	4.75V-5.25V	
40095	AIC1610PO	AIC	High Efficiency Synchronous Step-Up DC/DC	MSOP-8					1.1~5.5V	
48626	BT473KPJ35		D/A 转换 IC	68P-PLCC	S	8-bit				
23264	DAC0800LCM	N.S	8-Bit Digital-to-Analog Converter	16P/SOP		100ns		+/-10ppm	4.5~18V	
5385	DAC0800LCN	N.S	8-Bit Digital-to-Analog Converters	16P/DIP	P	100ns	0.19% FS	0.19% FS	±5V ~ ±15V	
4336	DAC0808LCN	N.S	8-Bit D/A Converter	16P/DIP	P	150nS	0.19%	±0.5LSB	±5V ~ ±15V	
4941	DAC0832LCN	N.S	8-Bit Up D/A Conv. Dbl. Buff.(8-Bit Mp Compatible, Double-Buffered D to A Converters)	20P/DIP	P	1uS	0.4% FSR	0.2% FSR	5~15V	
32938	DAC08CN	PHILIPS	8-Bit high-speed multiplying D/A converter	16P/DIP	P	70ns	±0.78 %FS		±4.5V to ±18V	
32939	DAC08CP	ADI	8-Bit, High-Speed, Multiplying D/A Converter (Universal Digital Logic Interface)	16P/DIP	P	85-150 ns	±0.39 % FS		±4.5V to ±18V	
32940	DAC08CS	ADI	8-Bit, High-Speed, Multiplying D/A Converter (Universal Digital Logic Interface)	16P/SOIC	P	85-150 ns	±0.39 % FS		±4.5V to ±18V	
4927	DAC08EP	ADI	8-Bit, High Speed,Multiplying D/A Converter(Universal Digital Logic Interface)	16P/DIP	P	85nS	±0.19%	FS	±4.5V TO ±18V	
32954	DAC8248FP	ADI	Dual 12-Bit 8-Bit Byte Double-Buffered CMOS D/A Converter	24-Pin Plastic DIP	P	1µs	±1 LSB		5-15V	
40576	DAC8408FPZ	ADI	Quad 8-Bit Multiplying CMOS D/A Converter with Memory	28P/DIP	P	190ns	±1 LSB	±1/2 LSB	4.5~5.5V	
32959	DAC8800FP	ADI	tal 8-Bit CMOS D/A Converter	20P/DIP	S	2µs	±1 LSB		12V	
42610	DS90CR483VJDX	N.S	48-BitLVDSChannelLinkSER/DES? 33-112MHz	100 TQFP					70.3Vto+4V	
33495	HI1171JCB	Intersil	8-Bit, 40 MSPS, High Speed D/A Converter	24 Ld SOIC	P	10ns	±0.25 LSB	-0.5~1.3 LSB	5V	
34985	MAX506ACPP	MAXIM	Quad 8-Bit DACs with Rail-to-Rail Voltage Outputs	20P/DIP	P	6µs	±1LSB		-5V to +5V	
34986	MAX517ACPA	MAXIM	2-Wire Serial 8-Bit DACs with Rail-to-Rail Outputs	8 Plastic DIP	S	6µs	±1 LSB		4.5V - 5.5V	
34988	MAX521ACPP	MAXIM	Quad/Octal, 2-Wire Serial 8-Bit DACs with Rail-to-Rail Outputs	20 Plastic DIP	S	6µs	±1.0 LSB		4.5 - 5.5V	
34963	MAX521ACWG	MAXIM	Quad/Octal, 2-Wire Serial 8-Bit DACs with Rail-to-Rail Outputs	24P/SO	S	6µs	±1.0 LSB		4.5 - 5.5V	
28417	MAX548AEUA-T	MAXIM	8-Bit 数位转线性转换 IC	8P/TSSOP	S	4µs	±0.9LSB	8-Bit DAC	-2.5~5.5V	
34995	MAX550ACPA	MAXIM	+2.5V to +5.5V, Low-Power, Single/Dual,8-Bit Voltage-Output DACs	8 Plastic DIP	S	4µs	±0.9 LSB		+2.5V to +5.5V	
41732	MAX5541CSA	MAXIM	Low-Cost, +5V, Serial-Input,Voltage-Output, 16-Bit DAC	sop-8		+2.5V to +5.5V	1µs	±1.0Bits	±16LSB	0.8v-2.4v
42584	MX7226KEWP-T	MAXIM								
33695	TDA8702	PHILIPS	8-bit video digital-to-analog converter	16P/DIP						
23315	TLC0820ACDW	T.I.	8-BIT ANALOG-TO-DIGITAL CONVERTERS WITH SERIAL CONTROL	20P/PLASTIC SMALL OUTLINE	Serial	50nS	±1/16LSB	±1LSB	5V	
18429	TLC0832CP	T.I.	8-BIT ANALOG-TO-DIGITAL CONVERTERS WITH SERIAL CONTROL	8P/DIP	Serial	350nS	±1/16LSB	±1LSB	4.5~5.5V	
18430	TLC0834CN	T.I.	8-BIT ANALOG-TO-DIGITAL CONVERTERS WITH SERIAL CONTROL	14P/DIP	Serial	350nS	±1/16LSB	±1LSB	4.5~5.5V	



服务专线: 台湾: 886-3-5753170

传 真: 台湾: 886-3-5753172

E-mail: 台湾: sale@100y.com.tw

深圳: 86-755-83298787

深圳: 86-755-83640655

深圳: 100y@163.com

上海: 86-21-34970699

上海: 86-21-64605107

上海: 100y-1@163.com