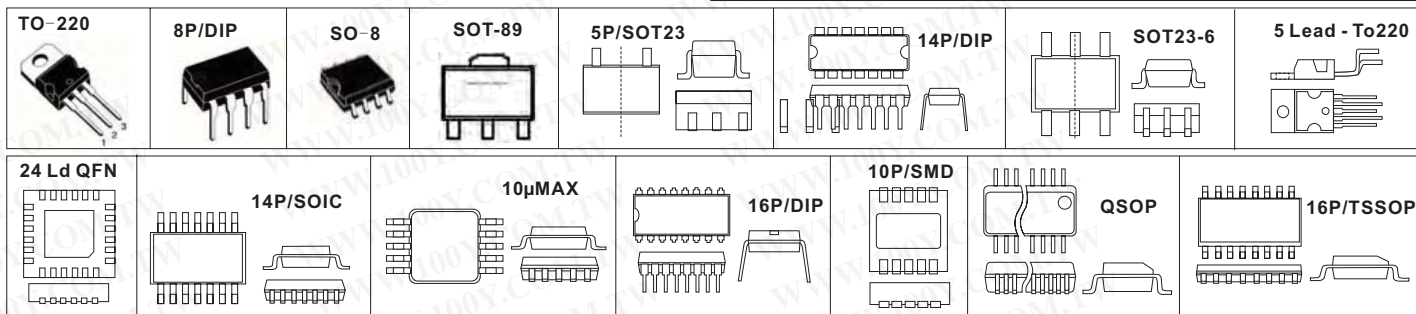


功率和控制IC

直流变直流转换 IC

详细产品规格 - 请点击 cn.100y.com.tw



100Y 编号	厂商编号	制造厂商	说明	Pins/Package	Vin/Iout-Vout/Iout	Temp.Range
23505	2SK2545	TOSHIBA	DC?DC Converter, Relay Drive and Motor Drive Application	3P/TO-220		-55~150°C
13413	AIC1578CS	AIC	High-efficiency, Step-Down DC/DC Converter	8P/SOIC	9V/100mA-5V/1000mA	0°C ~ +70°C
33036	AIC1631-3CS	AIC	2-Cell, 500mA, Step-Up DC/DC Converter	8P/SO	7V/200mA-3V/200mA	0°C~+70°C
40349	AIC1631ACS	AIC	2-Cell, 500mA, Step-Up DC/DC Converter	8P/SO	7V/200mA-3V/200mA	0°C~+70°C
38193	AIC1642-50CX	AIC	3-Pin One-Cell Step-Up DC/DC Converter	SOT-89	5.0Vout	-40°C to 85°C
40487	AP1501-50K5L	AnaChip	Anachip_3A PWM Buck DC/DC Converter	TO263-5L	5Vout/3A	-65~150°C
44792	AP1501-50K5LA	AnaChip	直流变直流转换 IC	TO263-5L	5Vout/3A	-65~150°C
40631	AP1501-ADJ	AnaChip	Anachip_150Khz, 3A PWM Buck DC/DC Converter	TO263-5L	1.23~37Vout	-65 to +150
17886	AP34063A		DC-DC Converter control circuit	8P/SOP	12V/200mA-28V/ 200A	0°C ~ +70°C
22439	AP34063N8		Universal DC/DC Converter	8P/DIP	3~4V/1.6A	0~70°C
32960	DCP010505P	BB	Miniature 5V Input, 1W Isolated UNREGULATED DC/DC CONVERTERS	14P/DIP	5.5V/200mA-5V/200mA	-40°C to +100°C
32963	DCP010512DBP	BB	Miniature, 1W Isolated UNREGULATED DC/DC CONVERTERS	14P/DIP	5.5V/41.6mA -12V/41.6mA	-40°C to +100°C
32979	DCP012415DP	BB	Miniature 24V Input, 1W Isolated UNREGULATED DC/DC CONVERTERS	14-Pin PDIP	26.4V/33.3mA -15V/33.3mA	-40°C to +100°C
39645	H7662CBD	HARRIS		14P/SOP		
23808	IRF7811AV	IR	N-Channel Application-Specific MOSFETS	8P/SOIC		-55 to 150°C
34710	LM2621MM	N.S	Low Input Voltage, Step-Up DC-DC Converter	Mini SO-8	1.2V to 14V/1A - 1.24V to 14V/1A	-40°C to +85°C
34722	LM2663M	N.S	Switched Capacitor Voltage Converter	8-Lead SO		-40°C to +85°C
40799	LM2794BL	N.S	Current Regulated Switched Capacitor LED Supply with	BLP14EHB	-0.5 to 6.2V	-65°C to +150°C
33079	LM828M5	N.S	Switched Capacitor Voltage Converter	SOT-23-5		-40°C to 85°C
16398	LT1026CN8	Linear-Tech.	Switched Capacitor Voltage Converter	8P/DIP	5V/20mA-7V/15mA	0°C ~ +70°C
13173	LT1054CP	T.I.	Switched-Capacitor Volt. Converters WITH REGULATORS	8P/DIP	0.7V/25mA-1.8V/125mA	0°C ~ +100°C
6831	LT1109ACN8-12	Linear-Tech.	MIC PWR SW REG +12V/150mA OUT(Fixed 12V Output Micropower DC/DC Converter)	8P/DIP	5V/80mA-8V/100mA	0°C ~ +70°C
22676	LT1109ACS8-12	Linear-Tech.	Micropower Low Cost DC/DC Converter	8P/SOIC	-0.4~20V	0~70°C
19781	LT1109ACS8-5	Linear-Tech.	Micropower DC/DC Converter Flash Memory VPP Generator Adjustable	8P/SO	2Vin/5Vout	0°C to 70°C
39417	LT1317BCS8	Linear-Tech.	Micropower, 600kHz PWMDC/DC Converter	8P-SOIC		
33591	LTC1701ES5	Linear-Tech.	直流变直流转换 IC	5P/SOT-23		-40~85°C
28809	LTC3405ES6	Linear-Tech.	直流变直流转换 IC	6P/TSOT-23	2.7~6V/300mA-0.8V/300mA	
28810	LTC3407EMSE	Linear-Tech.	直流变直流转换 IC	10P/SMD		- 65~150°C
40154	LTC3426ES6	Linear-Tech.	1.2MHz Step-Up DC/DC Converter	SOT-23	-0.3V to 6V	-65°C to 125°C
40155	LTC3455EUF	Linear-Tech.	Dual DC/DC Converter	QFN/24P	-0.3V to 6V	-65°C to 125°C
42101	MAX1626ESA+T	MAXIM	5V/3.3V or Adjustable, 100% Duty-Cycle, High-Efficiency, Step-Down DC-DC Controllers	8P/SOP	3.3V to 16.5V 3.3V	-40°C to +85°C
42115	MAX1717EEG	MAXIM	DC-DC converter	24/QSOP	2~28Vin-0.925~2Vout 14A	-40 to +85°C
42118	MAX1717EEG+	MAXIM	DC-DC converter	24/QSOP	2~28Vin-0.925~2Vout 14A	-40 to +85°C
40209	MAX1779EUE	MAXIM	Low-Power Triple-Output TFT LCD DC-DC Converter	16P/TSSOP	2.7V-5.5V	-40°C to +85°C
27170	MAX1797EUA	MAXIM	Low Supply Current, Step-Up DC-DC Converter	8P/SOIC	-0.3~6V	-40°C~+85°C
42206	MAX1926ETC-T	MAXIM	Switch-Mode 1-Cell Li+ Chargers	4.25V to 12V		
42209	MAX1927REUB-T	MAXIM	Low-Output-Voltage, 800mA, PWM Step-DownDC-DC Converters	10-Pin µMAX	0.75V	-40°C to +85°C
42211	MAX1928EUB18	MAXIM	Low-Output-Volt., 800mA, PWM Step-Down DC-DC Converter	10 uMAX		
42247	MAX1961EEP	MAXIM	2.35V to 5.5V, 0.5% Accurate, 1MHz PWMStep-Down Controllers with Voltage Margining	20 QSOP	2.35V to 5.5V	-40°C to +85°C
42251	MAX1971EEE-T	MAXIM	Dual, 180°Out-of-Phase, 1.4MHz, 750mA Step-Down Regulator with POR and RSI/PFO	16 QSOP	2.6V to 5.5V	-40°C to +85°C
42254	MAX1980ETP-T	MAXIM	Quick-PWM Slave Controller with Driver Disable for Multiphase DC-DC Converter	20 QFN (5mm x 5mm)	4V to 28V	-40°C to +100°C
42255	MAX1993ETG-T	MAXIM	Quick-PWM Step-Down Controllers with InductorSaturation Protection and Dynamic Output Voltages	24 Thin QFN 4mm x 4mm	0.7V to 5.5V	-40°C to +85°C
40359	MAX5035AUSA+	MAXIM	1A, 76V, High-Efficiency MAXPower Step-Down DC-DC Converter	8P/SOP	76V/1A	0°C to +85°C
35020	MAX743CPE	MAXIM	Dual-Output, Switch-Mode Regulator	16P/DIP		0~70°C
35021	MAX757CPA	MAXIM	3.3V/5V/Adjustable-Output, Step-Up DC-DC Converters	8 Plastic DIP		0°C to +70°C
35022	MAX761CPA	MAXIM	12V/15V or Adjustable, High-Efficiency, Low IQ, Step-Up DC-DC Converters	8 Plastic DIP		0°C to +70°C
42517	MAX761CSA+	MAXIM	12V/15V or Adjustable, High-Efficiency,Low IQ, Step-Up DC-DC Converters	8 SO	2V to 16.5V	0°C to +70
39643	MAX764CPA	MAXIM	-5V/-12V/-15V or Adjustable, High-Efficiency, Low IQ DC-DC Inverters	8P/DIP		0°C to +70°C
39644	MAX764CSA	MAXIM	-5V/-12V/-15V or Adjustable, High-Efficiency, Low IQ DC-DC Inverters	MAX764CSA		0°C to +70°C
44795	MAX765CSA	MAXIM	直流变直流转换 IC	8P/SOP		0°C to +70°C
35023	MAX773CPD	MAXIM	5V/12V/15V or Adjustable, High-Efficiency, Low IQ, Step-Up DC-DC Controllers	14 Plastic DIP		0°C to +70°C



服务专线: 台湾: 886-3-5753170

传 真: 台湾: 886-3-5753172

E-mail: 台湾: sale@100y.com.tw

深圳: 86-755-83298787

深圳: 86-755-83640655

深圳: 100y@163.com

上海: 86-21-34970699

上海: 86-21-64605107

上海: 100y-1@163.com