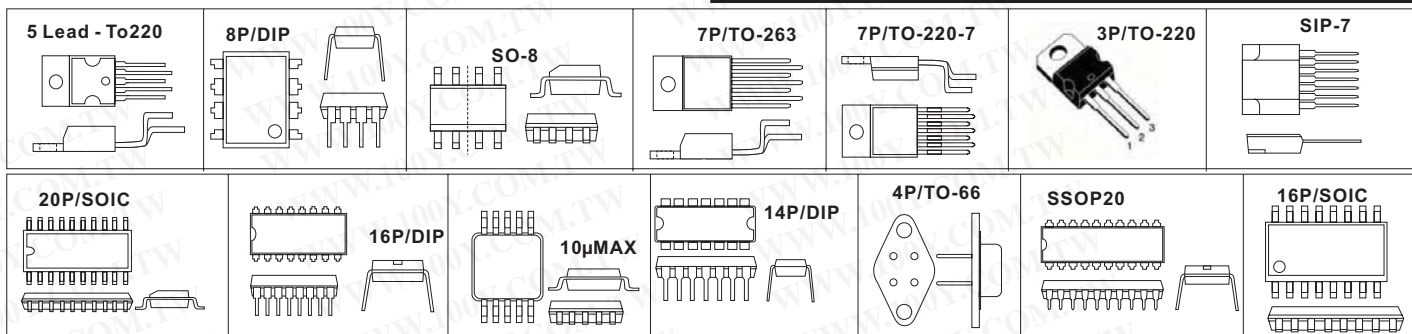




## 交换式电压调整 IC

详细产品规格 - 请点击 [cn.100y.com.tw](http://cn.100y.com.tw)



100Y 编号	厂商编号	制造厂商	说明	Pins/Package	Vout/Iout
34733	LM2675N-5.0	N.S	SIMPLE SWITCHER Power Converter High Efficiency 1A Step-Down Voltage Regulator	8P/DIP	5.0V/1A
34734	LM2675N-ADJ	N.S	SIMPLE SWITCHER Power Converter High Efficiency 1A Step-Down Voltage Regulator	8P/DIP	1.21V/1A
40439	LM2676S-5.0	N.S	SIMPLE SWITCHER High Efficiency 3A Step-Down Voltage Regulator	7P/TO-263	
34735	LM2676T-5.0	N.S	SIMPLE SWITCHER High Efficiency 3A Step-Down Voltage Regulator	7P/TO-220	5.0V/3A
34736	LM2676T-ADJ	N.S	SIMPLE SWITCHER High Efficiency 3A Step-Down Voltage Regulator	7P/TO-220	1.21V/3A
34737	LM2678T-5.0	N.S	SIMPLE SWITCHERR High Efficiency 5A Step-Down Voltage Regulator	7P/TO-220	5.0V/5A
34738	LM2678T-ADJ	N.S	SIMPLE SWITCHERR High Efficiency 5A Step-Down Voltage Regulator	7P/TO-220	1.21V/5A
39556	LM2679S-ADJ	N.S	SIMPLE SWITCHER 5A Step-Down Voltage Regulator with Adjustable Current Limit	7P/TO-263	5A
34739	LM2679T-5.0	N.S	SIMPLE SWITCHER 5A Step-Down Voltage Regulator with Adjustable Current Limit	7P/TO-220	5.0V/5A
34740	LM2679T-ADJ	N.S	SIMPLE SWITCHER 5A Step-Down Voltage Regulator with Adjustable Current Limit	7P/TO-220	1.21V/5A
23957	LM3526M-H	N.S	Dual Port USB Power Switch and Over-current Protection	8P/SOP-8	
22026	LM3526MX-L	N.S	Dual Port USB Power Switch and Over-current Protection	8P/SOP-8	
1276	LM3578AN	N.S	Voltage regulator, switching Regulator	8P/DIP	50V/750mA
38680	LT1072HVCT	Linear-Tech.	1.25A High Efficiency Switching Regulator	TO-220	75V/1.25A
6830	LT1074CT	Linear-Tech.	5A STEP DOWN SW REG(Step-down switching regulator, 5A onboard switch, 100kHz switching frequency)	5P/TO-220	2.5V/5A
17297	LT1171CT	Linear-Tech.	High Efficiency Switching Regulators	5P/TO-220	65V/2.5A
28768	LT1172	Linear-Tech.	1.25A 100KHZ High Efficiency Switching Regulator	8P/SOIC	65V/5A
6833	LT1172CN8	Linear-Tech.	1.25A 100KHZ High Efficiency Switching Regulator	8P/DIP	65V/5A
22678	LT1377CS8	Linear-Tech.	High Efficiency Switching Regulators	8P/SOP	35-47V
41028	LT1616ES6	Linear-Tech.	600mA, 1.4MHz Step-Down Switching Regulator	6P/SOT-23	
28820	LTC1628CG	Linear-Tech.	交换式电压调整 IC	28P/SSOP	
28806	LTC3400ES6	Linear-Tech.	交换式电压调整 IC	SOT-23	3.3V/500mA
28807	LTC3401EMS	Linear-Tech.	交换式电压调整 IC	SOT-23	2.6-5.5V
28801	LTC3404EMS8	Linear-Tech.	1.4MHz High Efficiency Monolithic Synchronous Step-Down Regulator	8P-MSOP	
28804	LTC3406ES5	Linear-Tech.	交换式电压调整 IC	5P/SOT-23	
28805	LTC3440EMS	Linear-Tech.	交换式电压调整 IC	SMD	3.3V/500mA
37335	M51995AFP	MITSUBISHI	SWITCHING REGULATOR CONTROL	20-pin SOP	
37334	M51995AP	MITSUBISHI	SWITCHING REGULATOR CONTROL	16P/DIP	
48500	MA2820	SHINENGEN	Power Switching Regulators	SIP-7	
48501	MA4810	SHINENGEN	Power Switching Regulators	SIP-7	
35002	MAX630CPA	MAXIM	CMOS Micropower Step-UP Switching Regulator	8P/DIP	
35003	MAX635ACPA	MAXIM	Preset/Adjustable Output CMOS Inverting Switching Regulators	8P/DIP	-5V
35004	MAX638ACPA	MAXIM	+5V/Adjustable CMOS Step-down Switching Regulator	8P/DIP	5V
35005	MAX641ACPA	MAXIM	Fixed Output 10W CMOS Step-Up Switching Regulators	8P/DIP	5V
37420	MB3759P	FUJITSU	Switching Regulator Controller (Switchable between push-pull and single-end functions)	16P/DIP	41V/250mA
41323	MB3769A	FUJITSU	交换式电压调整 IC	16P/DIP	20V/120mA
23624	MC33363ADW	ON-Semi.	High Voltage Switching Regulator	16W-SOIC	6.5V/1.5A
17627	PIC627	Micro-semi	Switching Regulator 15 Amp Positive and Negative Power Output Stages	4P/TO-66	100V/15A
42566	SG3525AN	ON-Semi.	Pulse Width Modulator Control Circuit	PDIP-16	40V
35242	SGL60N90DTU	Fairchild	FEATURES	TO-264	120W
41374	TEA6415CD		BUS-CONTROLLED VIDEO MATRIX SWITCH	SOIC/20P	10V/30mA
39024	TOP101YAI	POWER INT.	Three-terminal Off-line PWM Switch	TO-220	
16504	TOP200Y	POWER INT.	Three-terminal Off-line PWM switch	3P/TO-220	9V/4mA
39633	TOP204YAI	POWER INT.	Three-terminal Off-line PWM switch	TO-220/3(YO3A)	
32964	TOP210PFI	POWER INT.	Three-terminal Off-line PWM Switch	8P/DIP	
32962	TOP221P	POWER INT.	Three-terminal Off-line PWM Switch	8P/DIP	36V/35A
16471	TOP221Y	POWER INT.	Three-terminal Off-line PWM Switch	3P/TO-220	36V/35A
32961	TOP223P	POWER INT.	Three-terminal Off-line PWM Switch	8P/DIP	36V/35A
16472	TOP223Y	POWER INT.	Three-terminal Off-line PWM Switch-无铅	3P/TO-220	36V/35A
43004	TOP223YN	POWER INT.	Three-terminal Off-line PWM Switch	TO-220	9V/100MA
32956	TOP224P	POWER INT.	Three-terminal Off-line PWM Switch	8P/DIP	
32955	TOP224Y	POWER INT.	Three-terminal Off-line PWM Switch	3P/TO-220	36V/35A
16473	TOP225Y	POWER INT.	Three-terminal Off-line PWM Switch	3P/TO-220	36V/35A
32920	TOP226Y	POWER INT.	Three-terminal Off-line PWM Switch	3P/TO-220	36V/35A
32917	TOP227Y	POWER INT.	Three-terminal Off-line PWM Switch	3P/TO-220	36V/35A
44915	TPS40060PWP	T.I.	交换式电压调整 IC	HTSSOP-16	6V/5MA
41131	TPS61016DGS	T.I.	HIGH-EFFICIENCY, 1-CELL AND 2-CELL BOOST CONVERTERS	10-Pin MSOP	3.3V/250mA



服务专线: 台湾: 886-3-5753170

传 真: 台湾: 886-3-5753172

E-mail: 台湾: sale@100y.com.tw

深圳: 86-755-83298787

深圳: 86-755-83640655

深圳: 100y@163.com

上海: 86-21-34970699

上海: 86-21-64605107

上海: 100y-1@163.com