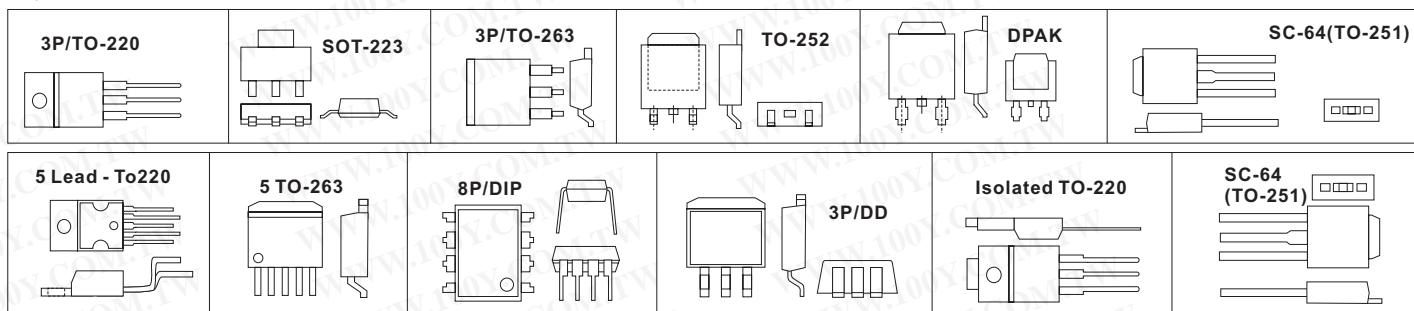


功率和控制IC

Low Dropout-可变交换式电压的调整 IC

详细产品规格 - 请点击 cn.100y.com.tw



100Y 编号	厂商编号	制造厂商	说明	Pins/Package	Vout/Iout	Temp. Range
45649	LM1117S-ADJ	HTC Korea	1A LDO Adjustable Voltage Regulator	3P-SOT-223	1.25V/1A	-40°C ~ +125°C
20233	LM1117T-ADJ	N.S	800mA Low-Dropout	3P/TO-220	Adj./800mA	0°C to +125°C
6838	LM2931CT	N.S	LOW I/O (<0.6V) POS ADJ REG(Low dropout voltage regulator)	5P/TO-220	3.3V/0.1A	0°C ~ +70°C
13411	LM2941CS	N.S	1A Low Dropout Adjustable Regulator	5P/TO263	125V/1A	0°C ~ +125°C
29146	LM2941CT	N.S	Low Dropout-可变交换式电压的调整 IC	TO-220		0°C ~125°C
23859	LM2941S	N.S	Low Dropout Adjustable Regulator	5P/TO-263		-40°C ~ +125°C
7509	LM2941T-P+	N.S	1.25A high current low dropout voltage regulator	5P/TO-220	12V/1.25A	-40°C ~ +125°C
34757	LM2991T	N.S	Negative Low Dropout Adjustable Regulator	5-Lead TO-220	-2V/1A	-40°C to +125°C
38236	LMS1585ACS-3.3	N.S	5A Low Dropout Fast Response Regulators	TO-263	3.3V/5A	0°C to 125°C
7676	LP2951CM	N.S	Positive Adjustable Micropower Voltage Regulators LDO()	8P/SOIC	29V/100mA	-40°C ~ +125°C
14344	LP2951CN	N.S	Series of Adjustable Micropower Voltage Regulators	8P/DIP	29V/100mA	-40°C ~ +125 °C
18967	LT1082CN8	Linear-Tech.	1A High Voltage, Efficiency Switching Voltage Regulator	8P/DIP	100V/1A	0°C to 100°C
28371	LT1085CM	Linear-Tech.	3A Low dropout positive adjustable regulator	3P/DD	3A	0 ~ 125°C
8097	LT1086CM	Linear-Tech.	1.5A Adjustable Low Dropout Positive Regulators	3P/TO-263	2.85V/1.5A	0°C ~ +125°C
4937	LT1086CT	Linear-Tech.	1.5A ADJUSTABLE Low Dropout Positive Regulators	3P/TO-220	2.85V/1.5A	0°C ~ +125°C
4502	LT1585CT	Linear-Tech.	Low Dropout Fast Response Positive Regulators Adjustable and Fixed	3P/TO-220	4A	0°C ~ +125°C
42373	NCP1011ST65T3G	ON-Semi.	Self-Supplied Monolithic Switcher for Low Standby-Power Offline SMPS	SOT-223		
42375	NCP1117DT15RKG	ON-Semi.	Low Dropout Voltage Regulator(Pb-Free)	DPAK	1.5V/1A	
42377	NCP1117DTAG	ON-Semi.	Low Dropout Voltage Regulator(Pb-Free)	DPAK	Adjustable/1A	
42378	NCP1117DTARKG	ON-Semi.	Low Dropout Voltage Regulator(Pb-Free)	DPAK	Adjustable/1A	
42381	NCP1117ST15T3G	ON-Semi.	Low Dropout Voltage Regulator(Pb-Free)	SOT-223	1.5V/1.0 A	
42382	NCP1117ST18T3G	ON-Semi.	Low Dropout Voltage Regulator(Pb Free)	SOT-223	1.0 A, 1.8V	
42384	NCP1117ST33T3G	ON-Semi.	Low Dropout Voltage Regulator(Pb Free)	SOT-223	1.0 A, 3.3V	
42383	NCP1117ST33T5G	ON-Semi.	Low Dropout Voltage Regulator(Pb Free)	DPAK	1.0 A, 3.3V	
42385	NCP1117STAT3G	ON-Semi.	Adjustable Voltage Regulator(Pb Free)	SOT-223	Adjustable	
38221	PC29M07HF	NEC	THREE TERMINAL LOW DROPOUT VOLTAGE REGULATOR	Isolated TO-220	7.0V/0.5A	
38282	UC2903HB	NEC	THREE-TERMINAL LOW DROPOUT VOLTAGE REGULATOR	SC-64(TO-251)	3.0V/1.0A	
38216	UC29M05HB	NEC	THREE TERMINAL LOW DROPOUT VOLTAGE REGULATOR	SC-64(TO-251)	5.0V/0.5A	
38217	UC29M05T	NEC	THREE TERMINAL LOW DROPOUT VOLTAGE REGULATOR	SC-63(TO-252)	5.0V/0.5A	
38219	UC29M06HB	NEC	THREE TERMINAL LOW DROPOUT VOLTAGE REGULATOR	SC-64(TO-251)	6.0V/0.5A	
38218	UC29M06HF	NEC	THREE TERMINAL LOW DROPOUT VOLTAGE REGULATOR	Isolated TO-220	6.0V/0.5A	
38346	UPC2405AHF	NEC	THREE-TERMINAL LOW DROPOUT VOLTAGE REGULATOR	Isolated TO-220	5.0V/1.0A	
38347	UPC2406AHF	NEC	THREE-TERMINAL LOW DROPOUT VOLTAGE REGULATOR	Isolated TO-220	6.0V/1.0A	
38348	UPC2407AHF	NEC	THREE-TERMINAL LOW DROPOUT VOLTAGE REGULATOR	Isolated TO-220	7.0V/1.0A	
38349	UPC2408AHF	NEC	THREE-TERMINAL LOW DROPOUT VOLTAGE REGULATOR	Isolated TO-220	8.0V/1.0A	
38350	UPC2409AHF	NEC	THREE-TERMINAL LOW DROPOUT VOLTAGE REGULATOR	Isolated TO-220	9.0V/1.0A	
38351	UPC2410AHF	NEC	THREE-TERMINAL LOW DROPOUT VOLTAGE REGULATOR	Isolated TO-220	10V/1.0A	
38352	UPC2412AHF	NEC	THREE-TERMINAL LOW DROPOUT VOLTAGE REGULATOR	Isolated TO-220	12V/1.0A	
38353	UPC2415AHF	NEC	THREE-TERMINAL LOW DROPOUT VOLTAGE REGULATOR	Isolated TO-220	15V/1.0A	
38354	UPC2418AHF	NEC	THREE-TERMINAL LOW DROPOUT VOLTAGE REGULATOR	Isolated TO-220	18V/1.0A	
38370	UPC24A05HF	NEC	THREE TERMINAL LOW DROPOUT VOLTAGE REGULATOR	isolated TO-220	5.0V/2.0A	
38371	UPC24A12HF	NEC	THREE TERMINAL LOW DROPOUT VOLTAGE REGULATOR	isolated TO-220	12V/2.0A	
38373	UPC24A15HF	NEC	THREE TERMINAL LOW DROPOUT VOLTAGE REGULATOR	isolated TO-220	15V/2.0A	
38259	UPC24M05AHF	NEC	THREE TERMINAL LOW DROPOUT VOLTAGE REGULATOR	Isolated TO-220	5.0V/0.5A	
38260	UPC24M06AHF	NEC	THREE TERMINAL LOW DROPOUT VOLTAGE REGULATOR	Isolated TO-220	6.0V/0.5A	
38261	UPC24M07AHF	NEC	THREE TERMINAL LOW DROPOUT VOLTAGE REGULATOR	Isolated TO-220	7.0V/0.5A	
38262	UPC24M08AHF	NEC	THREE TERMINAL LOW DROPOUT VOLTAGE REGULATOR	Isolated TO-220	8.0V/0.5A	
38263	UPC24M09AHF	NEC	THREE TERMINAL LOW DROPOUT VOLTAGE REGULATOR	Isolated TO-220	9.0V/0.5A	
38264	UPC24M10AHF	NEC	THREE TERMINAL LOW DROPOUT VOLTAGE REGULATOR	Isolated TO-220	10V/0.5A	
38265	UPC24M12AHF	NEC	THREE TERMINAL LOW DROPOUT VOLTAGE REGULATOR	Isolated TO-220	12V/0.5A	
38266	UPC24M15AHF	NEC	THREE TERMINAL LOW DROPOUT VOLTAGE REGULATOR	Isolated TO-220	15V/0.5A	
38267	UPC24M18AHF	NEC	THREE TERMINAL LOW DROPOUT VOLTAGE REGULATOR	Isolated TO-220	18V/0.5A	
38274	UPC2903HF	NEC	THREE-TERMINAL LOW DROPOUT VOLTAGE REGULATOR	Isolated TO-220	3.0V/1.0A	
38284	UPC2903T	NEC	THREE-TERMINAL LOW DROPOUT VOLTAGE REGULATOR	SC-63(TO-252)	3.0V/1.0A	
38344	UPC2905AHB	NEC	THREE-TERMINAL LOW DROPOUT VOLTAGE REGULATOR	SC-64(TO-251)	5.0V/1.0A	
38343	UPC2905AHF	NEC	THREE-TERMINAL LOW DROPOUT VOLTAGE REGULATOR	Isolated TO-220	5.0V/1.0A	
38345	UPC2905AT	NEC	THREE-TERMINAL LOW DROPOUT VOLTAGE REGULATOR	SC-63(TO-252)	5.0V/1.0A	



服务专线: 台湾: 886-3-5753170

传 真: 台湾: 886-3-5753172

E-mail: 台湾: sale@100y.com.tw

深圳: 86-755-83298787

深圳: 86-755-83640655

深圳: 100y@163.com

上海: 86-21-34970699

上海: 86-21-64605107

上海: 100y-1@163.com