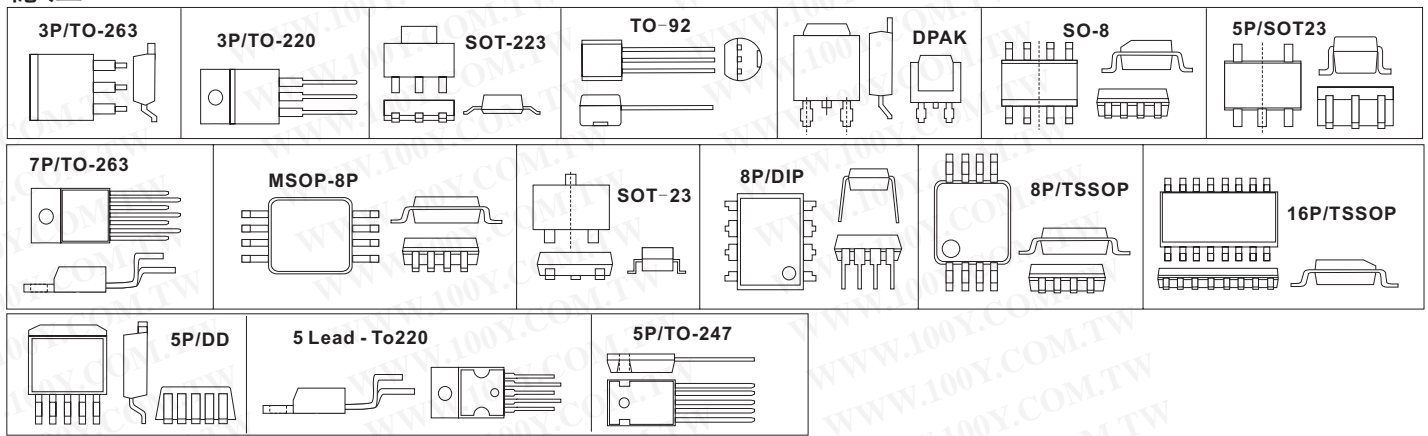




Low Dropout-固定交换式电压的稳压 IC

详细产品规格 - 请点击 cn.100y.com.tw



100Y 编号	厂商编号	制造厂商	说明	Pins/Package	Vout/Iout	Temp. Range
28814	LP3982IMMX-2.5	N.S	Low Dropout-固定交换式电压的稳压 IC	MSOP-8P	1.25-6V/300mA	-40-85°C
28775	LP3985IM5X-2.7	N.S	Low Dropout-固定交换式电压的稳压 IC	SOT-23	2.7V/150mA	-65-150°C
41067	LP3985IM5X-3.3	N.S	Low Dropout-固定交换式电压的稳压 IC	SOT-23-5	3.3V/150mA	-65-150°C
41066	LP3985IM5X-5.0	N.S	Low Dropout-固定交换式电压的稳压 IC	SOT-23-5	5.0V/150mA	-65-150°C
29384	LT1085CT-5	Linear-Tech.	Low Dropout-固定交换式电压的稳压 IC	3P/TO-220	5V/3A	0-125°C
16250	LT1086CM-3.3	Linear-Tech.	LDO REG FIXED(1.5A Low Dropout Positive Regulators Adjustable and Fixed 3.3V,5V,12V)	3P-TO-263	3.3V/1.5A	0°C ~ +125°C
16249	LT1086CT-12	Linear-Tech.	Low Dropout Positive Regulator	3P-TO-220	12V/1.5A	0°C ~ +125°C
16401	LT1086CT-3.3	Linear-Tech.	1.5A Low Dropout Positive Regulator Fixed 3.3V	3P/TO-220	3.3V/1.5A	0°C ~ +125°C
16251	LT1086CT-5	Linear-Tech.	LDO REG FIXED(1.5A Low Dropout Positive Regulators Adjustable and Fixed 3.3V,5V,12V)	3P-TO-220	5V/1.5A	0°C ~ +125°C
30667	LT1086IM-3.3	Linear-Tech.	1.5A Low Dropout Positive Regulator Fixed 3.3V	3P/TO-263	3.3V/1.5A	0°C ~ +125°C
7670	LT1117CST-3.3	Linear-Tech.	800mA Low dropout positive regulators , output 3.3V	3P/SOT-223	3.3V/0.8A	-55°C ~ +150°C
22755	LT1117CST-5	Linear-Tech.	0.8A Low Dropout Pos. Reg. Fixed 5V	SOT-223	5V	
28441	LT1175CST-5	Linear-Tech.	Low Dropout-固定交换式电压的稳压 IC	SOT-223	5V	0-125°C
28595	LT1175IS8	Linear-Tech.	Low Dropout-固定交换式电压的稳压 IC	SOT-223	8V	-40-125°C
31733	LT1580CR-2.5	Linear-Tech.	Dropout Regulator	7P/TO-263	2.5V	
31738	LT1584CT-3.3	Linear-Tech.	Low Dropout Fast Response Positive Regulators	3P/TO-220	3.3V	0°C ~ +125°C
20176	LT1587CM-1.5	Linear-Tech.	Low Dropout Fast Response Positive Regulators	3P/TO-263	1.5V/3A	0°C ~ +125°C
6837	LT1587CT-1.5	Linear-Tech.	Low Dropout Fast Response Positive Regulators	3P/TO-220	1.5V/3A	0°C ~ +125°C
20240	LT1587CT-3.3	Linear-Tech.	Low Dropout Fast Response Positive Regulators	3P/TO-220	3.3V/3A	0 ~ +125°C
27429	LT1761ES5-SD	Linear-Tech.	LDO Micropower Regulator	5P/SOT-23	1.8-20V/100mA	-40-125°C
29259	LT1764AEQ		固定交换式电压的稳压 IC	TO-263	20V/3A	-40-125°C
28369	LT1764AEQ-1.8	Linear-Tech.	固定交换式电压的稳压 IC	5P/DD	1.8V/1mA	-40-125°C
28370	LT1764AEQ-2.5	Linear-Tech.	固定交换式电压的稳压 IC	5P/DD	2.3V/1mA	-40-125°C
28436	LT1764AEQ-3.3	Linear-Tech.	固定交换式电压的稳压 IC	TO-263	3.3V/600uA	-40-125°C
31932	LT1764EQ-1.8	Linear-Tech.	固定交换式电压的稳压 IC	5P/DD	1.8V/1mA	-40-125°C
49441	LT1963AEQ	Linear-Tech.	1.5A Low Noise, Fast Transient Response LDO Regulator	TO-263-5P	1.5A	-45 ~ +125°C
39061	LT1963EST-1.5	Linear-Tech.	1.5A Low Noise, Fast Transient Response LDO Regulators	SOT-223	1.5V/1.5A	-45 ~ +125°C
19656	LT1963ET-3.3	Linear-Tech.	Low Noise LDO Regulator	5P/TO220	3.3V/1.5A	-45 ~ +125°C
42131	MAX1726EUK50+T	MAXIM	12V, Ultra-Low IQ, Low-Dropout Linear Regulators	5 SOT23-5	+2.5V to +12V	-40°C to +85°C
42156	MAX1806EUA15	MAXIM	500mA, Low-Voltage Linear Regulator in μMAX	8 Power-μMAX	+2.25V to +5.5V	-40°C to +85°C
42216	MAX1935ETA	MAXIM				
28443	MAX6012AEUR-T	MAXIM	Low Dropout-固定交换式电压的稳压 IC	3P/SOT23-3	1.25V	-40-85°C
35006	MAX667CPA	MAXIM	+5V/Programmable Low-Dropout Voltage Regulator	8 Plastic DIP	5V/250mA	0°C to +70°C
42538	MAX8526EUD	MAXIM	1.425V to 3.6V Input, 2A, 0.2V Dropout LDO Regulators	14 TSSOP	1.425V to 3.6V 2A	-40°C to +85°C
42555	MAX8863TEUK-T	MAXIM	Low-Dropout, 120mA Linear Regulators	5 SOT23-5	2.5v-6.5v 3.05v-3.25v	-40°C to +85°C
42556	MAX8869EUE10+	MAXIM	1A, MicroCap, Low-Dropout, Linear Regulator	16 TSSOP-EP		-40°C to +85°C
42557	MAX8875EUK30-T	MAXIM	150mA, Low-Dropout Linear Regulator with Power-OK Output	5 SOT23-5		-40°C to +85°C
42558	MAX8878EUK33+T	MAXIM	Low-Noise, Low-Dropout, 150mA Linear Regulators with 2982 Pinout	5 SOT23-5		-40°C to +85°C
42038	MC33269DT-3.3	ON-Semi.	Low Dropout Voltage Regulator	DPAK	3.3V	
42039	MC33269DTRK-3.3	ON-Semi.	Low Dropout Voltage Regulator	DPAK	3.3V	
48355	MIC29150-3.3BT	Micrel	High-Current Low-Dropout Regulators	3P/TO-220	3.3V/1.5A	-40-125°C
22720	MIC29150-3.3BU	Micrel	High-Current Low-Dropout Regulators	3P/TO-263	3.3V/1.5A	-40-125°C
35378	MIC29151-5.0BT	Micrel	High-Current Low-Dropout Regulators	5P/TO-220	5.0V/1.5A	-40-125°C
35380	MIC29152BT	Micrel	High-Current Low-Dropout Regulators	5P/TO-220		-40-125°C
22756	MIC29301-12BU	Micrel	High-Current Low-Dropout Regulators	5P/TO-263	12V/3A	-40-125°C
35381	MIC29302BT	Micrel	High-Current Low-Dropout Regulators	5P/TO-220		-40-125°C
22722	MIC2937A-3.3BU	Micrel	Low-Dropout Voltage Regulator	3P/TO-263	3.3V/750mA	-40-125°C
35383	MIC2941ABT	Micrel	1.25A Low-Dropout Voltage Regulator	5P/TO-220		-40°C to +125°C
22812	MIC29501-5.0BT	Micrel	High-Current Low-Dropout Regulators	5P/TO-220	26V/5A	-40-125°C
35382	MIC29752BWT	Micrel	High-Current Low-Dropout Regulators	5P/TO-247		-40-125°C
35384	MIC5205-3.3BM5	Micrel	150mA Low-Noise LDO Regulator	5P/SOT-23	3.3V/0.15A	-40°C to +125°C



服务专线: 台湾: 886-3-5753170

传 真: 台湾: 886-3-5753172

E-mail: 台湾: sale@100y.com.tw

深圳: 86-755-83298787

深圳: 86-755-83640655

深圳: 100y@163.com

上海: 86-21-34970699

上海: 86-21-64605107

上海: 100y-1@163.com