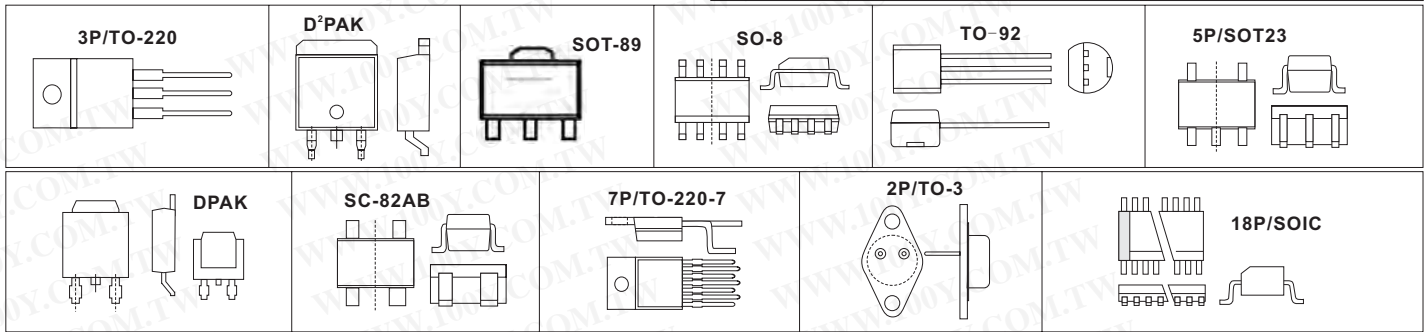


# 功率和控制IC

## 固定输出电压的稳压 IC

详细产品规格 - 请点击 [cn.100y.com.tw](http://cn.100y.com.tw)



100Y 编号	厂商编号	制造厂商	说明	Pins/Package	Vout/Iout	Temp. Range
42125	MC7812ACT	ON-Semi.	Tolerance, Voltage Regulator	3P/TO-220	12V/1A	
42127	MC7812BDTRKG	ON-Semi.	Tolerance, Voltage Regulator	DPAK	12V/1A	-40°C to +125°C
42128	MC7812BTG	ON-Semi.	Positive Voltage Regulator	3P/TO-220	12V/1A	
19297	MC7812C	ON-Semi.	Positive Volt. Reg.	TO-220	12V	
2741	MC7812CT	MOTOROLA	Pos. Voltage Regulator(LM340T-12)(Three-Terminal Positive Voltage Regulator)	3P/TO-220	12V/1A	0°C to 125°C
42130	MC7812CT	ON-Semi.	Positive Voltage Regulator	3P/TO-220	12V/1A	
35309	MC7815CT	ON-Semi.	1.0 A Positive Voltage Regulators	TO-220	15V/1.0A	0°C to +125°C
35310	MC7818CT	ON-Semi.	1.0 A Positive Voltage Regulators	TO-220	18V/1.0A	0°C to +125°C
35311	MC7824CT	ON-Semi.	1.0 A Positive Voltage Regulators	TO-220	24V/1.0A	0°C to +125°C
35312	MC78FC33HT1	ON-Semi.	Micropower Voltage Regulator	SOT-89	3.3V/0.1A	-30° to +80°C
35314	MC78FC50HT1	ON-Semi.	Micropower Voltage Regulator	SOT-89	5.0V/0.12A	-30° to +80°C
35318	MC78L05ACD	ON-Semi.	100 mA Positive Voltage Regulators	8P/SOIC	5.0V/0.1A	0° to +125°C
35320	MC78L05ACP	ON-Semi.	100 mA Positive Voltage Regulators	3P/TO-92	5.0V/0.1A	0° to +125°C
35321	MC78L08ACD	ON-Semi.	100 mA Positive Voltage Regulators	8P/SOIC	8.0V/0.1A	0° to +125°C
42132	MC78L08ACDR2G	ON-Semi.	Positive Voltage Regulator	SOIC-8	8V/0.1A	0°C to +125°C
35323	MC78L08ACP	ON-Semi.	100 mA Positive Voltage Regulators	3P/TO-92	8.0V/0.1A	0° to +125°C
42133	MC78L12ACDR2	ON-Semi.	Positive Voltage Regulator	SOIC-8	12V/0.1A	0°C to +125°C
22715	MC78L12ACP	MOTOROLA	3-Terminal 0.1A Positive Voltage Regulator	3P/TO-92	12V/100mA	0-150°C
42134	MC78L12ACPRP	ON-Semi.	Positive Voltage Regulator	3P/TO-92	12V/0.1A	0°C to +125°C
35324	MC78L15ACP	ON-Semi.	100 mA Positive Voltage Regulators	3P/TO-92	15V/0.1A	0° to +125°C
35325	MC78L24ACP	ON-Semi.	100 mA Positive Voltage Regulators	3P/TO-92	24V/0.1A	0° to +125°C
35327	MC78LC30NTR	ON-Semi.	MicroPower Voltage Regulator	5P/SOT23	3.0V/0.08A	-40 to +85°C
40814	MC78LC33NTR	ON-Semi.	MicroPower Voltage Regulator	SOT23/5P	3.3V/0.08A	Voltage Regulator 5P/SOT23
42136	MC78LC40NTR	ON-Semi.	MicroPower Voltage Regulator	5P/SOT23	5.0V/0.1A	0 to +85°C
35329	MC78LC50NTR	ON-Semi.	MicroPower Voltage Regulator	5P/SOT23	5.0V/0.1A	-40 to +85°C
35331	MC78M05CDT	ON-Semi.	500 mA Positive Voltage Regulator	DPAK	5.0V/0.5A	0° to +125°C
41267	MC78M05CDTRK	ON-Semi.	500MA POSITIVE VOLTAGE REGULATORS	DPAK-3	5.0V 8.0V 12V AND 15V	
35335	MC78M05CT	ON-Semi.	500 mA Positive Voltage Regulator	3P/TO-220	5.0V/0.5A	0° to +125°C
35338	MC78M08CDT	ON-Semi.	500 mA Positive Voltage Regulator	DPAK	8.0V/0.5A	0° to +125°C
42137	MC78M09CDTRKG	ON-Semi.	500 mA Positive Voltage Regulator	DPAK	9V/0.5A	
35339	MC78M12CT	ON-Semi.	500 mA Positive Voltage Regulator	3P/TO-220	12V/0.5A	0° to +125°C
35341	MC78M15CDT	ON-Semi.	500 mA Positive Voltage Regulator	DPAK	15V/0.5A	0° to +125°C
22716	MC78M15CT	SAMSUNG	3-terminal 0.5A positive voltage regulator	3P/TO-220	15V/0.5A	0-125°C
35352	MC78T05CT	ON-Semi.	3.0 A Positive Voltage Regulators	3P/TO-220	5.0V/3.0A	0°C TO +125°C
35353	MC78T12CT	ON-Semi.	3.0 A Positive Voltage Regulators	3P/TO-220	12V/3.0A	0°C TO +125°C
35354	MC78T15CT	ON-Semi.	3.0 A Positive Voltage Regulators	3P/TO-220	15V/3.0A	0°C TO +125°C
19298	MC7905CT	ON-Semi.	Neg. Volt. Regulator	TO-220	-5V	
42138	MC7905CTG	ON-Semi.	Negative Voltage Regulator	3P/TO-220	5V/1A	
35360	MC7906CT	ON-Semi.	1.0 A Negative Voltage Regulators	3P/TO-220	-6.0V/1.0A	0°C to +125°C
35361	MC7908CT	ON-Semi.	1.0 A Negative Voltage Regulators	3P/TO-220	-8.0V/1.0A	0°C to +125°C
19299	MC7912CD2T	ON-Semi.	Neg. Volt. Regulator	D2PAK	-12V	0°C to 125°C
3743	MC7912CT	ON-Semi.	Neg. Volt. Regulator (LM320T-12)(Three-Terminal Negative Voltage Regulator)	3P/TO-220	-12V/1A	0°C to 125°C
1323	MC7915CT	MOTOROLA	Neg. Volt. Regulator(Three-Terminal Negative Voltage Regulator)	3P/TO-220	-15V/1A	0°C to 125°C
42140	MC7915CT	ON-Semi.	Negative Voltage Regulator	3P/TO-220	15V/1A	
4972	MC7918CT	MOTOROLA	Neg Volt Regulator(Three-Terminal Negative Voltage Regulator)	3P/TO-220	-18V/1A	0°C to 125°C
32304	MC7924CT	MOTOROLA	hree-Terminal Negative Voltage Regulators	TO-220	24V	0°C to 125°C
35362	MC79L05ACP	ON-Semi.	100 mA Negative Voltage Regulators	TO-92	-5.0V/0.1A	0° to +125°C
42142	MC79L05ACPRAG	ON-Semi.	Negative Voltage Regulator	3P/TO-92	5V/0.1A	
32359	MC79L12ACP	N.S	3-Terminal 0.1A Negative Voltage Regulator	TO-92	-12V	0 - +125°C
42143	MC79L12ACPRP	ON-Semi.	Negative Voltage Regulator	3P/TO-92	12V/0.1A	
42144	MC79L15ACDR2G	ON-Semi.	Negative Voltage Regulator	SOIC-8	15V/0.1A	
35363	MC79L15ACP	ON-Semi.	100 mA Negative Voltage Regulators	TO-92	-15V/0.1A	0° to +125°C
35364	MC79M05CDT	MOTOROLA	3-Terminal 0.5A Negative Voltage Regulator	DPAK	-5.0V/0.5A	0-125°C
22717	MC79M05CT	MOTOROLA	3-Terminal 0.5A Negative Voltage Regulator	3P/TO-220	-5V/0.5A	0-125°C
42424	NCP580SQ25T1G	ON-Semi.	LDO Regulator	SC-82AB	120 mA, 2.5V	
45001	NJM7815FA	JRC	固定输出电压的稳压 IC	TO-220F/3P	15V/1A	-40°C to 150°C



服务专线: 台湾: 886-3-5753170

传 真: 台湾: 886-3-5753172

E-mail: 台湾: sale@100y.com.tw

深圳: 86-755-83298787

深圳: 86-755-83640655

深圳: 100y@163.com

上海: 86-21-34970699

上海: 86-21-64605107

上海: 100y-1@163.com