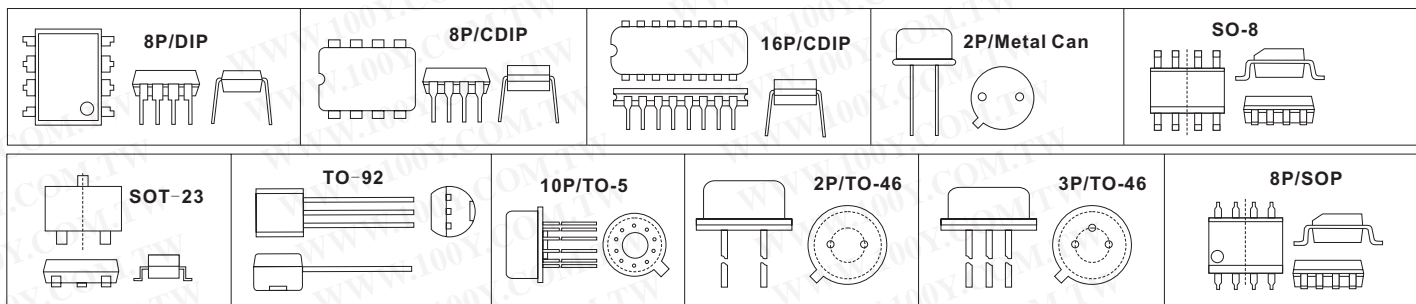




## 参考电压 IC

详细产品规格 - 请点击 [cn.100y.com.tw](http://cn.100y.com.tw)



100Y 编号	厂商编号	制造厂商	说明	Pins/Package	Reference Voltage	Operating Current	Temp. Range
32322	AD584JNZ	ADI	Pin Programmable Precision Voltage Reference	8-Pin DIP		10 mA	0°C to +70°C
32327	AD586JN	ADI	High Precision 5 V Reference	8P/DIP	5V		0°C to +70°C
32331	AD586JQ	ADI	High Precision 5 V Reference	8P/CDIP	5V		0°C to +70°C
34878	AD586KQ	ADI	High Precision 5 V Reference	8P/CDIP	5V		0°C to +70°C
32332	AD588AQ	ADI	High Precision Voltage Reference	16P/CDIP	-10~+10V	10 mA	-25 to +85
5164	AD589JH	ADI	Two-Terminal IC 1.2V Reference	2P/Metal Can	1.2V	50µA to 5mA	0°C ~ +70°C
32388	AD680AR	ADI	Low Power, Low Cost 2.5 V Reference	8P/SOIC	2.5V		-40°C to +85°C
32390	AD680JN	ADI	Low Power, Low Cost 2.5 V Reference	8P/DIP	2.5V		0°C to +70°C
32542	AD780AN	ADI	2.5 V/3.0 V High Precision Reference	8P/DIP	2.5 V/3.0 V		(-40°C to +85°C)
32629	ADR290GR	ADI	Low Noise Micropower Precision Voltage References	8P/SOIC	2.048V	12µA	-40°C to +125°C
32631	ADR291GR	ADI	Low Noise Micropower Precision Voltage References	8P/SOIC	2.500V	12µA	-40°C to +125°C
32632	ADR292GR	ADI	Low Noise Micropower Precision Voltage References	8P/SOIC	4.096V	12µA	-40°C to +125°C
41999	DS2401P+TR	DALLAS					
42004	DS2411R	DALLAS	Silicon Serial Number with VCC Input	SOT23-3,Tape-and-Reel	2v		40 C to +85 CTSOC,T
33613	ICL8069CCZR	Intersil	Low Voltage Reference	TO-92	2V Ref. - T.C. 100ppm/°C		0 °C to + 70 °C
29048	ICL8069DCZR	Intersil	Low Voltage Reference	TO-92	. 2V Ref. - T.C. 100ppm/°C		0 °C to + 70 °C
44019	LM113H	N.S	参考电压 IC	Metal Can	1.220V	20 mA	-55°C ~ +125°C
18468	LM119H	N.S	High Speed Dual Comparator	10P/TO-5	5V	4.3mA	-55°C to 125°C
43976	LM129CH	N.S	参考电压 IC	2P/TO-46	6.9V	0.5mA	75°C to +125°C
44008	LM136AH-2.5	N.S	参考电压 IC	TO-46	2.5V	10mA	75°C to +125°C
44011	LM136AH-5.0	N.S	参考电压 IC	TO-46	5.0V	10 mA	-55C~ +125°C
44003	LM136H-2.5	N.S	参考电压 IC	TO-46	2.5V	10mA	-55°C ~ +125°C
44012	LM136H-5.0	N.S	参考电压 IC	TO-46	5.0V	10mA	-55°C ~ +125°C
6660	LM234Z-3	N.S	3-Terminal Adjustable Current Sources	3P/TO-92	1V to 40V	1µA to 10mA	-25°C ~ +100°C.
44005	LM236AH-2.5	N.S	参考电压 IC	TO-46	2.5V	10mA	725°C to +85°C
44014	LM236AH-5.0	N.S	参考电压 IC	TO-46	5.0V	10mA	-25°C~ +85°C
44006	LM236H-2.5	N.S	参考电压 IC	TO-46	2.5V	10mA	725°C to +85°C
44017	LM236H-5.0	N.S	参考电压 IC	TO-46	5.0V	10mA	-25°C~ +85°C
43989	LM285BXH-1.2	N.S	参考电压 IC	2P/TO-46	1.2V	20 mA	740°C to 85°C
43986	LM285BYH-2.5	N.S	参考电压 IC	2P/TO-46	2.5V	20mA	740°C to 85°C
43980	LM285H-1.2	N.S	参考电压 IC	2P/TO-46	1.2V	20 mA	740°C to 85°C
43983	LM285H-2.5	N.S	参考电压 IC	2P/TO-46	2.5V	20mA	740°C to 85°C
44022	LM313H	N.S	参考电压 IC	Metal Can	1.220V	20 mA	0°C ~ +70°C
18497	LM329AH	N.S	Precision Reference	2P/TO-46	6.9 V	0.6mA	0°C to +70°C
44001	LM329CH	N.S	参考电压 IC	2P/TO-46	6.9V	0.6mA	0°C to +70°C
43975	LM329DH	N.S	参考电压 IC	2P/TO-46	6.9V	0.6mA	0°C to +70°C
22660	LM329DZ	N.S	Precision Reference	3P/TO-92	6.6~7.25V	30mA	0~70°C
43998	LM334H	N.S	参考电压 IC	TO-46	1V to 40V	1µA to 10mA	0°C ~ +70°C.
6607	LM334Z	N.S	Adjust current source(3-Terminal Adjustable Current Sources)	3P/TO-92	1V to 40V	1µA to 10mA	0°C ~ +70°C.
5725	LM336Z-2.5	N.S	Voltage reference 2.5V(Reference Diode)	3P/TO-92	5V	15mA	0°C ~ +70°C
29007	LM336Z-2.5	Fairchild	参考电压 IC	3P/TO-92	5V	15mA	0~70°C
4899	LM336Z-5.0	N.S	Voltage reference 5.0V(Refer Diode)	3P/TO-92	4V to 6V	600 µA to 10 mA	0°C~ +70°C
45009	LM368H-2.5	N.S	参考电压 IC	Metal Can Package (TO-5)	2.5V	400 uA	0°C to +70°C
16189	LM385BM-1.2	N.S	Micropower voltage Reference Diode (1.2V)	8P/SOP	1.2V	20 µA to 20 mA	0°C ~ +70°C
16190	LM385BMX-2.5	N.S	Micropower voltage Reference. Diode (2.5V)	3P/SOP	2.5V	20 µA to 20 mA	0°C ~ +70°C
6655	LM385BZ-1.2	N.S	Micropower voltage Reference Diode (1.2V±1.5%)	3P/TO-92	1.2V	20 µA to 20 mA	0°C ~ +70°C
17879	LM385M3-1.2	N.S	Micropower Voltage Reference Diode	3P/SOT-23	1.2V	30mA	
17878	LM385M3-2.5	N.S	Micropower Voltage Reference Diode	3P/SOT-23	2.5V	30mA	
16070	LM385Z-1.2	N.S	Micropower voltage Reference Diode (1.2V±1.5%)	3P/TO-92	1.2V	20 µA to 20 mA	0°C ~ +70°C
6656	LM385Z2.5	N.S	Micropower voltage Reference Diode (2.5V)	3P/TO-92	2.5V	20 µa to 20 mA	0°C ~ +70°C
39258	LM4040AIM3X-2.5	N.S	Precision Micropower Shunt Voltage Reference	3P/SOT-23	2.5V	60µA~15mA	-40~85°C
39259	LM4040AIM3X-4.1	N.S	Precision Micropower Shunt Voltage Reference	3P/SOT-23	4.096V	60µA~15mA	-40~85°C
23275	LM4040BIM3-10	N.S	Precision Micropower Shunt Voltage Reference	3P/SOT-23	10V	60µA~15mA	-40~85°C
23274	LM4040BIZ-2.5	N.S	Precision Micropower Shunt Voltage Reference	3P/TO-92	2.5V	60µA~15mA	-40~85°C
23273	LM4040BIZ-5.0	N.S	Precision Micropower Shunt Voltage Reference	3P/TO-92	5V	60µA~15mA	-40~85°C
34486	LM4040DIZ100	N.S	Precision Micropower Shunt Voltage Reference	Z(TO-92)	10V	60µA~15mA	-40~85°C



服务专线: 台湾: 886-3-5753170

传 真: 台湾: 886-3-5753172

E-mail: 台湾: sale@100y.com.tw

深圳: 86-755-83298787

深圳: 86-755-83640655

深圳: 100y@163.com

上海: 86-21-34970699

上海: 86-21-64605107

上海: 100y-1@163.com