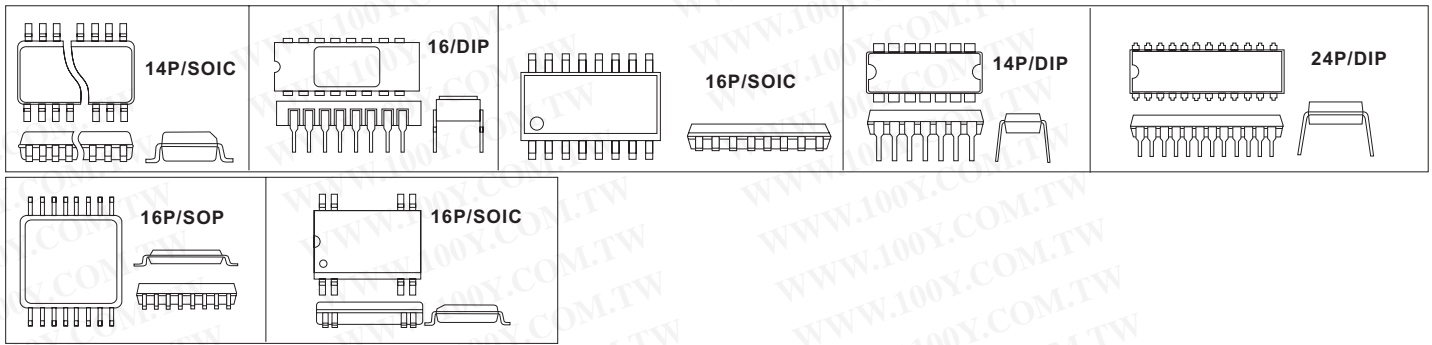




4000 CMOS逻辑IC系列

详细产品规格 - 请点击 cn.100y.com.tw



100Y 编号	厂商编号	制造厂商	说明	Pins/Package	Vcc	Operating Temp
15650	HD14011B	HITACHI	Quad 2-Input NAND Gat(Quad 2-Input NAND Buffered B Series Gate)	14P/SOIC	3~18V	-40~85°C
914	HD14021B	HITACHI	8-Stage Static Shift Register	16P/DIP	3~18V	-55°C ~ 125°C
33388	HEF4001BP	PHILIPS	Quadruple 2-input NOR gate	14P/DIP	3-15V	
27948	HEF4001BT	PHILIPS	Quadruple 2-input NOR gate			
49904	HEF4002BP	PHILIPS	Dual 4-input NOR Gate	14P/DIP(SOT27-1)	3~18V	-55~125°C
20585	HEF4006BP	PHILIPS	18-Stage Static Shift Register	14P/DIP	3~18V	-55~125°C
39287	HEF4007UBD	PHILIPS	Dual complementary pair andinverter	14-lead DIL	15V	
39288	HEF4007UBT	PHILIPS	Dual complementary pair andinverter	14-SO	15V	
39640	HEF40098BP	PHILIPS	3-state hex inverting buffer	SOT38-1	5.0V to 15V	-40°C to +85°C
952	HEF40106BPN	PHILIPS	飞利浦_Hex Schmitt Trigger	14P/DIP	3~18V	-55~125°C
33390	HEF40106BT	PHILIPS	Hex inverting Schmitt trigger	14P/SOIC	3-15V	
33392	HEF4011BP	PHILIPS	Quadruple 2-input NAND gate	14P/DIP	3-15V	
33393	HEF4013BP	PHILIPS	Dual D-type flip-flop	14P/DIP	3-15V	
33396	HEF4013BT	PHILIPS	Dual D-type flip-flop	14P/SOIC	3-15V	
33397	HEF4016BP	PHILIPS	Quadruple bilateral switches	14-lead DIL	3-15V	
33399	HEF4017BP	PHILIPS	5-stage Johnson counter	16-lead DIL	3-15V	
26833	HEF4027BTD	PHILIPS	Dual JK flip-flop	16P/SOT109-1	3~18V	-55°C ~ 125°C
33406	HEF4040BP	PHILIPS	12-stage binary counter	16-lead DIL	3-15V	
33408	HEF4043BP	PHILIPS	Quadruple R/S latch with 3-state outputs	16-lead DIL	3-15V	
33409	HEF4043BT	PHILIPS	Quadruple R/S latch with 3-state outputs	16-lead SO	3-15V	
33410	HEF4046BP	PHILIPS	Phase-locked loop	16P/SOT38-1	3-15V	-40~85°C
33421	HEF4047BP	PHILIPS	Monostable/astable multivibrator	14-lead DIL	3-15V	
33422	HEF4047BT	PHILIPS	Monostable/astable multivibrator	14-lead SO	3-15V	
33423	HEF4049BP	PHILIPS	HEX inverting buffers	16-lead DIL	3-15V	
33424	HEF4049BT	PHILIPS	HEX inverting buffers	16-lead SO	3-15V	
33426	HEF4050BP	PHILIPS	HEX non-inverting buffers	16-lead DIL	3-15V	
930	HEF4050BP	PHILIPS	飞利浦_Hex Buffer/Converters	16P/DIP	3~18V	-55 to + 125°C
30913	HEF4051BP	PHILIPS	CMOS Analog Multiplexers/Demultiplexers with Logic Level Conversion	16P/DIP	3~15V	-55 to 125°C
44175	HEF4052BT	PHILIPS	DUAL 4-CHANNEL ANALOGUE MULTIPLEXER/DEMULPLEXER	SOP-16	15	25
33427	HEF4053BP	PHILIPS	Triple 2-channel analogue multiplexer/demultiplexer	16-lead DIL	3-15V	
33428	HEF4060BP	PHILIPS	14-stage ripple-carry binary counter/divider and oscillator	16-lead DIL	3-15V	
19192	HEF4060BT	PHILIPS	14-Stage Ripple Carry Binary Counter/Divider and Oscillator	16P/SOIC		
33411	HEF4066BP	PHILIPS	Quad Analog Switch/Quad Multiplexer	14P/DIP	3~18V	-55 to +125 °C
27027	HEF4066BT	PHILIPS	Quad Analog Switch/Quad Multiplexer	14P/SO	3~18V	-55 to +125 °C
33429	HEF4067BP	PHILIPS	16-channel analogue multiplexer/demultiplexer	24-lead DIL	3-15V	
33432	HEF4067BT	PHILIPS	16-channel analogue multiplexer/demultiplexer	24-lead SO	3-15V	
33434	HEF4069UBT	PHILIPS	Hex inverter	14-lead SO	3-15V	
19195	HEF4071BP	PHILIPS	T.I._Quad 2-Input or Buffered B Series Gate	14P/DIP	-0.5~20V	-55~125°C
942	HEF4076B	PHILIPS	飞利浦_4-Bit D-Type Registers	16P/DIP	3~18V	-55~125°C
26769	HEF4081BT	PHILIPS	Quad 2-Input AND Buffered B Series Gate	14P/SOT108-1	3~18V	-55°C ~ 125°C
33437	HEF4093BP	PHILIPS	Quadruple 2-input NAND Schmitt trigger	14P/DIP		
33441	HEF4093BT	PHILIPS	Quadruple 2-input NAND Schmitt trigger	14-lead SO	3-15V	
28729	HEF4094BP	PHILIPS	8-Stage Shift-and Store Bus Register	16P/DIP	3~18V	-55°C to +125°C
41385	HEF4094BT	PHILIPS	8-Stage Shift-and Store Bus Register	16P/SOIC	5V-15V	25°C
28513	HEF4502BT	PHILIPS	Strobed hex inverter/buffer	SOT109-1	+5V	
33443	HEF4511BP	PHILIPS	BCD to 7-segment latch/decoder/driver	16-lead DIL/plastic (SOT38-1)	3-15V	-55°C to +125°C
33447	HEF4514BP	PHILIPS	1-of-16 decoder/demultiplexer with input latches	24-lead DIL	3-15V	
33449	HEF4514BT	PHILIPS	1-of-16 decoder/demultiplexer with input latches	24-lead SO	3-15V	
23715	HEF4520BP	PHILIPS	Dual binary counter	16P/DIP		
33451	HEF4528BP	PHILIPS	Dual monostable multivibrator	16P/DIP	4.5-15.5 V	
28317	HEF4532BT	PHILIPS	CMOS 逻辑 IC	16P-SOP	5~15V	
33453	HEF4538BP(N)	PHILIPS	Dual precision monostable multivibrator	16P/DIP(SOT38-1)	4.5~15.5V	
16983	HEF4538BT	PHILIPS	Dual precision monostable multivibrator	16P-SOIC	5~15V	-40 to +85 °C
33456	HEF4541BP	PHILIPS	Programmable timer	14P-DIP	3-15V	-40 to +85 °C
23743	M4023BRS	OKI Semi	Buffered Triple 3-Input NAND Gate	14P/DIP	3~18V	-55~125°C
35104	MC14001BCP	ON-Semi.	B-Suffix Series CMOS Gates	PDIP-14	3.0V - 18V	-55 to +125 °C
35106	MC14001BD	ON-Semi.	B-Suffix Series CMOS Gates	14P/SOIC	3.0V - 18V	-55 to +125 °C



服务专线: 台湾: 886-3-5753170

传 真: 台湾: 886-3-5753172

E-mail: 台湾: sale@100y.com.tw

深圳: 86-755-83298787

深圳: 86-755-83640655

深圳: 100y@163.com

上海: 86-21-34970699

上海: 86-21-64605107

上海: 100y-1@163.com