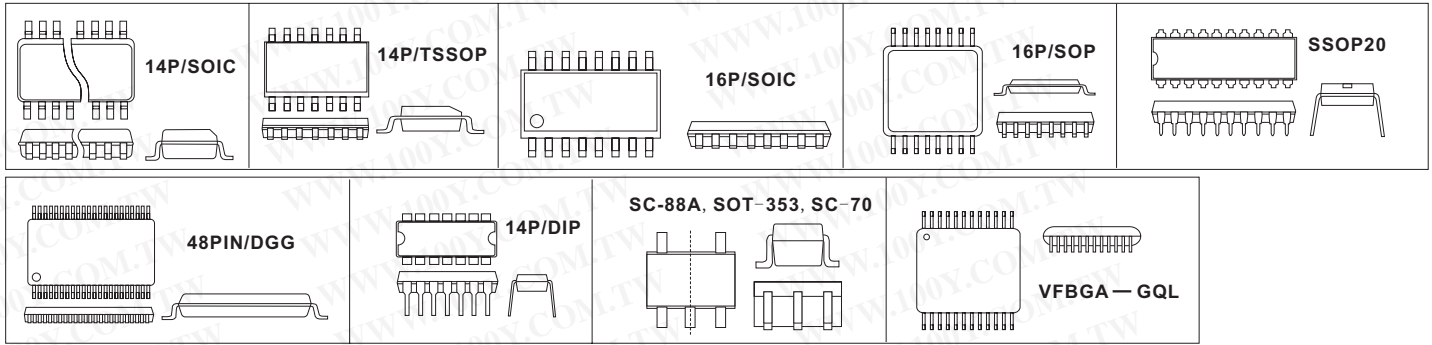




## 其它74~系列IC

详细产品规格 - 请点击 [cn.100y.com.tw](http://cn.100y.com.tw)



100Y 编号	厂商编号	制造厂商	说明	Pins/Package	Vcc(Supply voltage)	Operating Temp
39572	74LVX14MTC	Fairchild	Low Voltage Hex Inverter with Schmitt Trigger Input	14P/TSSOP	2~3.6V	-40~85°C
22779	74LVX161284	N.S	Low Voltage IEEE 161284 Transceiver	SSOP/48P	3.0V to 3.6V	-40°C to +85°C
29328	74LVX161284MEA	Fairchild	其它 74~系列 IC	SSOP	3.0V to 3.6V	?40°C to +85°C
33842	74LVX244MTC	Fairchild	Low Voltage Octal Buffer/Line Driver with 3-STATE Outputs	20P/TSSOP	2~3.6V	-40~85°C
35394	74LVX3245WM	Fairchild	8-Bit Dual Supply Translating Transceiver with 3-STATE Outputs	24P/SOIC		?40°C to +85°C
33843	74LVX32MTC	Fairchild	Low Voltage Quad 2-Input OR Gate	14P/TSSOP	2~3.6V	-40~85°C
14348	74LVXC4245WM	Fairchild	8-Bit Dual Supply Configurable Voltage Interface Transceiver with 3-STATE Outputs	24P/SOIC(300mil)	4.5~5.5V	-40~85°C
35386	74VHC00M	Fairchild	Quad 2-Input NAND Gate	14P/SOIC	2.0V to 5.5V	40°C~85°C
14347	74VHC04M	Fairchild	Hex Inverter	14P/SOIC	2~5.5V	-40~85°C
39729	74VHC125MTC	Fairchild	Quad Buffer with 3-STATE Outputs	14P/TSSOP	2~5.5V	-40~85°C
14336	74VHC14M	Fairchild	Hex Inerter Schmitt Trigger	14P/SOIC	2~5.5V	-40~85°C
39831	74VHC244SJ	Fairchild	Octal Buffer/Line Driver with 3-STATE Outputs	SOP/20P	-0.5V to 7.0V	-65°C to +150°C
28444	74VHC374MTC	Fairchild	Octal D-Type Flip-Flop with 3-STATE Output	20P/TSSOP	-0.5~7.0V	-40~85°C
14346	74VHC541M	Fairchild	Octal Buffer/Line Driver with 3-STATE Outputs	20P/SOIC(300mil)	2~5.5V	-40~85°C
14341	74VHC74M	Fairchild	Dual D-Type Flip-Flop with Preset and Clear	14P/SOIC	2~5.5V	-40~85°C
43013	74VHC14APW	PHILIPS	Hex inverting Schmitt-trigger with 5Vtolerant input	SSOP	14V	-40°C to +85°C
22220	DM74AS374N	T.I.	Octal D-Type Edge-Triggered Flip-Flops with 3-STATE Outputs	20P/PDIP	4.5~5.5V	0°C~70°C
22221	DM74AS646	T.I.	Octal Bus Transceiver and Register	24P/PDIP	4.5~5.5V	0°C~70°C
22403	DM74S11	Fairchild	Triple 3-Input AND Gate	14P/PDIP	4.75~5.25V	0~70°C
22402	DM74S112N	Fairchild	Dual Negative-Edge-Triggered Master-Slave J-K Flip-Flop with Preset, Clear, and Complementary Outputs	16P/PDIP	4.75~5.25V	0~70°C
22412	DM74S373N	SAMSUNG	3-STATE Octal D-Type Transparent Latches and Edge-Triggered Flip-Flops	20P/PDIP	7V	0~70°C
22415	DM74S51N	Fairchild	Dual 2-Wide 2-Input AND-OR-INVERT Gate	14P/PDIP	4.75~5.25V	0~70°C
48257	HD74107P	HITACHI	日立_TTL HD74/HD74S Series	14P/DIP		
640	HD74145P	HITACHI	日立_TTL HD74/HD74S Series	16P/DIP		
17151	IDC74LVC373ASO		Octal D-type transparent latch with 5 V tolerant inputs/outputs; 3-state	20P/SOIC	2.7~3.6V	-40~125°C
22420	MC74LXC374DTR2	MOTOROLA	Low Voltage CMOS Octal D-type FlipFlop	20P/TSSOP	2.7~3.6	-40~+85 °C
23625	MM74C30N	N.S	逻辑 IC	DIP-14P		
23958	MM74C914M	Fairchild	Hex Schmitt Trigger	14P/SOIC	5V	-55~125
14746	MM74C914N	Fairchild	Hex Schmitt Trigger with Extended Input Voltage	14P/DIP	3V to 15V	-40°C~85°C
29232	NL17SZ08DFT2	ON-Semi.	Single 2-Input AND Gate	5P-SOT353	1.65-5.5v	
42441	NL17SZ08DFT2G	ON-Semi.	Single 2-Input AND Gate	5P-SOT353		
42443	NL17SZ08XV5T2G	ON-Semi.	Single 2 Input AND Gate	SOT-553		
42448	NL17SZ125DFT2G	ON-Semi.	Single Non Inverting Buffer	SOT-353	1.5V~5.5V	
42450	NL17SZ14DFT2G	ON-Semi.	Single Inverter, Schmitt Input	SOT-353		
42452	NL17SZ17DFT2G	ON-Semi.	Single Buffer, Schmitt	SOT-353		
42455	NL17SZ32DFT2G	ON-Semi.	Single 2 Input OR Gate	SOT-353		
42456	NL17SZ32XV5T2G	ON-Semi.	Single 2 Input OR Gate	SOT-553		
42457	NL17SZ74USG	ON-Semi.	Single D-Type Flip-Flop	US8		
42463	NL27WZ125US	ON-Semi.	Dual Buffer, 3 State Low Enable	US8		
42465	NL27WZ14DTT1	ON-Semi.	Dual Inverter, Schmitt	SOT23-6		
42467	NL27WZ17DFT2G	ON-Semi.	Dual Buffer Schmitt	sc-88		
42469	NL27WZ32US	ON-Semi.	Dual 2 Input OR Gate	US8		
42473	NL7WB66	ON-Semi.	Ultra-Small SPST AnalogSwitch	US8		
45038	PI74FCT3245Q		Fast CMOS 3.3V 8-BitBidirectional Transceiver	QSOP	7V	-40°C to +85°C
48269	SN74251N	T.I.	8-Line To 1-Line Data Selector / Multiplexer	16P/DIP	4.75~5.25V	0~70°C
13207	SN74ABT16245DL	T.I.	16-BIT BUS TRANSCEIVERS WITH 3-STATE OUTPUTS	48P/SSOP	4.5~5.5V	-40~85°C
13204	SN74ABT16373D	T.I.	16-BIT TRANSPARENT D-TYPE LATCHES WITH 3-STATE OUTPUTS	48P/SSOP	4.5~5.5V	-40~85°C
42579	SN74ABT541BDWR	T.I.	OCTAL BUFFERS/DRIVERS WITH 3-STATE OUTPUTS	20pin/PlasticSmall-Outline	5v	-40°C to 85°C.
42691	SN74ALVC04DR	T.I.	HEX INVERTER	14/SOIC	3.6V	-40°C to 85°C
42692	SN74ALVC08D	T.I.	QUADRUPLE 2-INPUT POSITIVE-AND GATE	SOIC-14	3.6V	-40°C to 85°C



服务专线: 台湾: 886-3-5753170

传 真: 台湾: 886-3-5753172

E-mail: 台湾: sale@100y.com.tw

深圳: 86-755-83298787

深圳: 86-755-83640655

深圳: 100y@163.com

上海: 86-21-34970699

上海: 86-21-64605107

上海: 100y-1@163.com