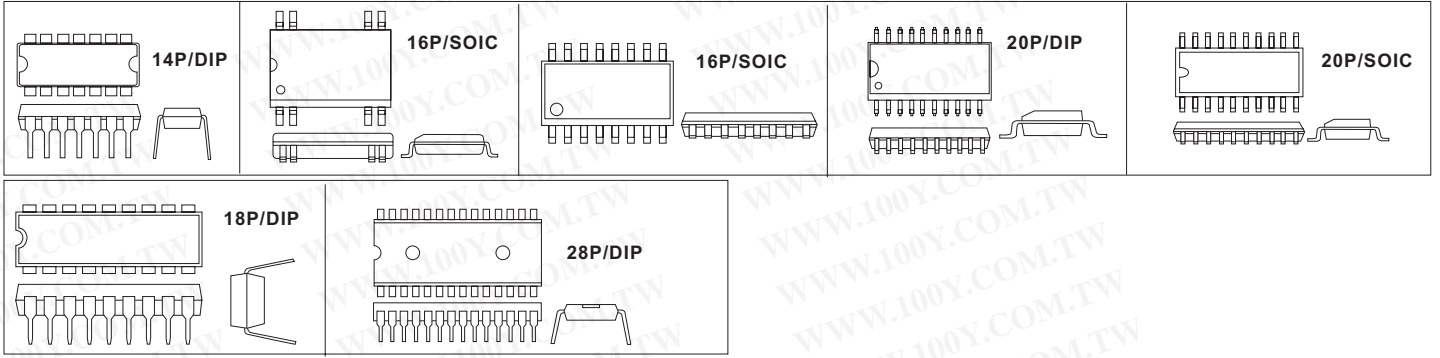




74HC/HCT~逻辑IC系列

详细产品规格 - 请点击 cn.100y.com.tw



100Y 编号	厂商编号	制造厂商	说明	Pins/Package	Vcc(Supply voltage)	Operating Temp.
22320	MC74HCT163N	MOTOROLA	HIGH-SPEED Si-gate devices and are pin compatible with low power Schottky TTL	16P/DIP	5V	-40~85°C
42079	MC74HCT374ADWR2	ON-Semi.	Octal D-Type 3-State Noninverting Flip-Flop	SOIC-20	4.5V~5.5V	
6056	MM74C917N	N.S	6-Digit Hex Display Controller	28P/DIP	3-6V	-40~85°C
4306	MM74C922N	N.S	16-Key Keyboard Encoder	18P/DIP	3-15V	-40~85°C
4303	MM74C923N	N.S	20-Key Keyboard Encoder	20P/DIP	3-15V	-40~85°C
35425	MM74HC00N	Fairchild	Quad 2-Input NAND Gate	14P/DIP	2 - 6V	-40 +85 °C
35426	MM74HC04N	Fairchild	Hex Inverter	14P/DIP	2 - 6 V	-40 +85 °C
42162	MM74HC123AM	Fairchild	Dual retriggerable monostable multivibrator	16P/SOIC	2-6V	-40~85°C
35428	MM74HC123AN	Fairchild	Dual Retriggerable Monostable Multivibrator	16P/DIP	2 - 6V	-40 +85 °C
22243	MM74HC132N	Fairchild	Quad 2-Input NAND Schmitt Trigger	14P/PDIP	5V	-40 ~125 °C
35430	MM74HC138N	Fairchild	3-to-8 Line Decoder	16P/DIP	2V~6V	-40 +85 °C
22244	MM74HC139N	Fairchild	Dual 2-To-4 Line Decoder	16P/PDIP	-0.5 ~7.0V	-40~85 °C
22245	MM74HC148N	Fairchild	8-3 Line Priority Encoder	16P/PDIP	-0.5~7.0V	-65°C ~150°C
35434	MM74HC14M	Fairchild	Hex Inverting Schmitt Trigger	14P/SOIC	2~6V	-55~125°C
35437	MM74HC14N	Fairchild	Hex Inverting Schmitt Trigger	14P/DIP	2~6V	-55~125°C
35439	MM74HC164N	Fairchild	8-Bit Serial-in/Parallel-out Shift Register	14P/DIP	2~6V	-40 +85 °C
4882	MM74HC165	Fairchild	Parallel-in/Serial-out 8-Bit Shift Register	16P/DIP	5V	-40~85°C
22254	MM74HC175N	Fairchild	Quad D-type flip-flop with reset; positive-edge trigger	16P/DIP	2-6V	
35447	MM74HC221AN	Fairchild	Dual Non-Retriggerable Monostable Multivibrator	16P/DIP	2V~6V	-40 +85 °C
22264	MM74HC240N	Fairchild	Inverting Octal 3-STATE Buffer	20P/PDIP	-0.5 ~7.0V	-65°C~150°C
22266	MM74HC244N	Fairchild	Octal 3-STATE Buffer	20P/PDIP	-0.5~7.0V	-65°C~150°C
35448	MM74HC245AN	Fairchild	Octal 3-STATE Transceiver	20P/DIP	2~6V	-40 to +85 °C
703	MM74HC251N	N.S	8-Channel 3-STATE Multiplexer	16P/DIP	2-6V	-40~85°C
707	MM74HC259N	N.S	8-Bit Address.Latch/3-to-8 Line Decoder	16P/DIP	2-6V	-40~85°C
22277	MM74HC32N	N.S	Quad 2-Input OR Gate	14P/DIP	-0.5~7.0V	-40~85°C
711	MM74HC366N	N.S	Inverting Hex Tri-State Buffer(Hex Bus Drivers with 3-state outputs)	16P/DIP	2-6V	-40~85°C
22283	MM74HC373N	Fairchild	3-STATE Octal D-Type Latch	20P/PDIP	-0.5 ~7.0V	-65°C~150°C
35452	MM74HC374N	Fairchild	3-STATE Octal D-Type Flip-Flop	20P/DIP	2-6V	-40~85°C
32578	MM74HC374WM	Fairchild	3-STATE Octal D-Type Flip-Flop	20P/SOIC	2-6V	-40~85°C
22286	MM74HC393N	Fairchild	Dual 4-Bit Binary Counter	14P/DIP	-0.5~7.0V	-65°C~150°C
22289	MM74HC4020	Fairchild	14-Stage Binary Counter · 12-Stage Binary Counter	16P/PDIP	-0.5~7.0V	-40 ~85 °C
35456	MM74HC4040N	Fairchild	12-Stage Binary Counter	16P/DIP	2~6V	-40 -85 °C
22293	MM74HC4049N	Fairchild	Hex Inverting Logic Level Down Converter · Hex Logic Level Down Converter	16P/PDIP	2-6V	-40~85 °C
39875	MM74HC4053M	Fairchild	Triple 2-Channel Analog Multiplexer	16P/SOIC	-0.5~7.5V	-65°C~150°C
22301	MM74HC4053N	Fairchild	8-Channel Analog Multiplexer · Dual 4-Channel Analog Multiplexer · Triple 2-Channel Analog Multiplexer	16P/PDIP	5V	-65°C~150°C
668	MM74HC42N	N.S	BCD-To-Decimal Decoder	16P/DIP	2-6V	-40~85°C
719	MM74HC540N	Fairchild	Octal Buffers and Line Drivers with 3-state outputs	20P/DIP	2-6V	-40~85°C
42484	MM74HC540WM	Fairchild	Octal Buffers and Line Drivers with 3-state outputs	20P/SOIC	2-6V	-40~85°C
22308	MM74HC541WMX	Fairchild	Inverting Octal 3-STATE Buffer · Octal 3-STATE Buffer	20P/SOIC	2-6V	-65°C~150°C
722	MM74HC564N	N.S	Tri-State Octal D Flip Flop W/Inv Output	20P/DIP	2-6V	-40~85°C
35459	MM74HC573N	Fairchild	3-STATE Octal D-Type Latch	20P/DIP	2 - 6V	-40°C~85°C
22311	MM74HC573WMX	Fairchild	3-STATE Octal D-Type Latch	20P/SOIC	-0.5 ~7.0V	-65°C~150°C
35462	MM74HC574N	Fairchild	3-STATE Octal D-Type Edge-Triggered Flip-Flop	20P/DIP	2-6V	-40~85°C
14349	MM74HC574WM	Fairchild	3-STATE Octal D-Type Edge-Triggered Flip-Flop	14P/SOIC	2-6V	-40~85°C
35463	MM74HC595N	Fairchild	8-Bit Shift Registers with Output Latches	16P/DIP	2V~6V	-40 to +85 °C
726	MM74HC643N	N.S	Octal Bus Transceivers with 3-state outputs	20P/DIP	5V	-40~+85°C
22315	MM74HC688N	Fairchild	8-Bit Magnitude Comparator (Equality Detector)	20P/DIP	-0.5~7.0V	-65°C~150°C
35464	MM74HC74AM	Fairchild	Dual D-Type Flip-Flop with Preset and Clear	14P/SOIC	2~6V	-40 to +85 °C
35465	MM74HC74AN	Fairchild	Dual D-Type Flip-Flop with Preset and Clear	14P/DIP	2~6V	-40 to +85 °C
35466	MM74HC86N	Fairchild	Quad 2-Input Exclusive OR Gate	14P/DIP	2~6V	-40 to +85 °C
22319	MM74HCT04N	Fairchild	Hex Inverter	14P/PDIP	-0.5 ~7.0V	-65°C~150°C
22321	MM74HCT164N	Fairchild	8-Bit Serial-in/Parallel-out Shift Register	14P/PDIP	-0.5~7.0V	-65°C~150°C
33357	MM74HCT244WM	Fairchild	Inverting Octal 3-STATE Buffer	20P/SOIC	4.5~5.5V	-40~85°C
48286	MM74HCT373WM	Fairchild	3-STATE Octal D-Type Latch	20P/SOIC	4.5~5.5V	-40~85°C
35467	MM74HCU04N	Fairchild	Hex Inverter	14P/DIP	2 - 6V	-40 to +85 °C



服务专线: 台湾: 886-3-5753170

传 真: 台湾: 886-3-5753172

E-mail: 台湾: sale@100y.com.tw

深圳: 86-755-83298787

深圳: 86-755-83640655

深圳: 100y@163.com

上海: 86-21-34970699

上海: 86-21-64605107

上海: 100y-1@163.com