

驱动+通信介面IC

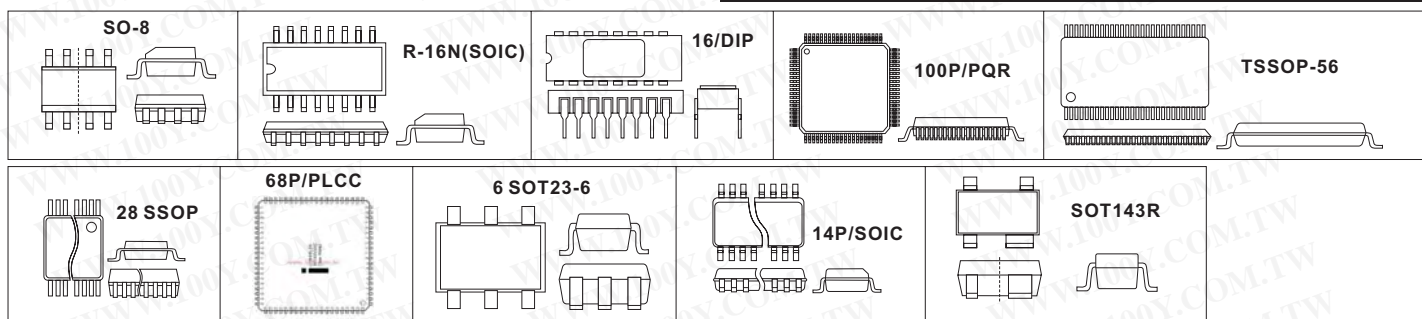
RS-422/423/485 介面驱动和接收 IC

详细产品规格 - 请点击 cn.100y.com.tw

100Y 编号	厂商编号	制造厂商	说明	Pins/Package	Supply voltage	Operating Temp
44605	SN75173D	T.I.	T1_SOIC-16_Package Qty 40	SOIC-16	4.75~5.25V	0°C to 70°C
6865	SN75173N	T.I.	QUADRUPLE DIFFERENTIAL LINE RECEIVERS	16P/DIP	5V	0~70°C
19345	SN75174N	T.I.	Quadruple Differential Line Driver	16P/DIP	5V	0~70 °C
6866	SN75175N	T.I.	QUADRUPLE DIFFERENTIAL LINE RECEIVER	16P/DIP	4.75~5.25V	0~70°C
19346	SN75176BD-G	T.I.	DIFFERENTIAL BUS TRANSCEIVERS	8P/SOIC	4.75~5.25V	0°C to 70°C
17166	SN75176BDR	T.I.	DIFFERENTIAL BUS TRANSCEIVERS	8P/SOIC	4.75~5.25V	0°C to 70°C
5384	SN75176BP	N.S	DIFFERENTIAL BUS TRANSCEIVER	8P/DIP	4.75~5.25V	0~70°C
25122	SN75176BP-G	T.I.	DIFFERENTIAL BUS TRANSCEIVER	8P/DIP	4.75~5.25V	0~70°C
44617	SN75179BDR	T.I.	Differential Driver And Receiver Pair	8P/SOIC	4.75~5.25V	0°C to 70°C
6867	SN75179BP	T.I.	DIFFERENTIAL DRIVER AND RECEIVER PAIR	8P/DIP	4.75~5.25V	0~70 °C
19276	SN75ALS181NS	T.I.	Differential Driver and Receiver Pair	14P-SOP	5V	0°C to 70°C
19349	SN785451BP	T.I.	RS-422/423/485 介面驱动和接收 IC	DIP		
17172	SP485CN-L	Sipex	Low Power Half-Duplex RS-485 Transceivers	8P/SOIC	4.75~5.25V	0~70°C
17173	SP485CS-L	Sipex	Low Power Half-Duplex RS-485 Transceivers	8P/DIP	4.75~5.25V	0~70°C
19364	SP491CN-L	Sipex	Full Duplex RS-485 Transceiver	14P/SOIC	5V	0~70°C
46280	SP491ES-L	Sipex	介面驱动和接收 IC	14P/DIP	5V	0~70°C

介面驱动和接收 IC

详细产品规格 - 请点击 cn.100y.com.tw



100Y 编号	厂商编号	制造厂商	说明	Pins/Package	V(out) max/V	I(out) max/A	Storage Temp
23287	AD8131ARZ	ADI	Low-Cost, High-Speed Differential Driver	8P/SOIC	2.7~5V	7.5mA	-40~85°C
19316	ADM705AN	ADI	介面驱动和接收 IC	DIP			
16853	ADM708AR	ADI	+3 V, Voltage Monitoring mP Supervisory Circuit	8P/SOIC	4.4V	20mA	-65°C to +150°C
32112	AM26LS31CD	T.I.	QUADRUPLE DIFFERENTIAL LINE DRIVER 【无铅】	16P/SOIC	5.5V	20mA	- 65°C to 150°C
46330	AM26LS31CDR	T.I.	介面驱动和接收 IC	16P/SOIC	5.5V	20mA	- 65°C to 150°C
1243	AM26LS31CN	T.I.	QUADRUPLE DIFFERENTIAL LINE DRIVER-Pb Free	16P/DIP	5.5V	20mA	- 65°C to 150°C
41457	AM26LV31ID	T.I.	QUADRUPLE DIFFERENTIAL LINE DRIVER	16P/SOIC	6V	30mA	-45°C ~ 85°C
41461	AM26LV32ID	T.I.	QUADRUPLE DIFFERENTIAL LINE RECEIVRE	16P/SOIC	6V	25mA	-65°C to 150°C
42589	DS14C88MX	N.S	QuadCMOSLineDriver	14 SOIC	+12.6V		0+75°C
41976	DS21354L	DALLAS	Single-Chip Transceivers	100 LQFP			0°C to +70°C
7674	DS26LS31CM	N.S	Quad High Speed Differential Line Drivers	16P/SOIC	0.5V	-150mA	- 65°C to 150°C
22578	DS26LS32ACN	N.S	Quad Differential Line Receivers	16P/DIP	4.75~5.25V	50mA	-65~165°C
41494	DS8921N	N.S	Differential Line Driver and Receiver Pair	DIP/8P	5.5V	50 mA	-65°C to +165°C
33046	DS90C031TM	N.S	LVDS Quad CMOS Differential Line Driver	16P/SO	1.41V	-3.5mA	-65°C to +150°C
33047	DS90C032TM	N.S	LVDS Quad CMOS Differential Line Receiver	16P/SO	4.9V	-60 mA	-65°C to +150°C
39090	DS90C385MTD	N.S	+3.3V Programmable LVDS Transmitter 24-Bit(18-Bit) Flat Panel Display (FPD) Link-85 Mhz	TSSOP-56	3.3V		?65°C to +150°C
33048	DS90C401M	N.S	Dual Low Voltage Differential Signaling (LVDS) Driver	8 Lead SOIC	1.41V	-3.5mA	-65°C to +150°C
33049	DS90C402M	N.S	Dual Low Voltage Differential Signaling (LVDS) Receiver	8 Lead SOIC	4.9V	-60 mA	-65°C to +150°C
42603	DS90CF388AVJD	N.S	DualPixelLVDSDisplayInterface/FPD-Link	100 TQFP	3.6V		?10+25+70°C
33050	DS90CR215MTD	N.S	+3.3V Rising Edge Data Strobe LVDS 21-Bit Channel Link - 66 Mhz	48P/TSSOP	3.3V	-60mA	-65°C to +150°C
42611	DS90CR484VJD	N.S	48-BitLVDSChannelLinkSER/DES? 33-112MHz	100 TQFP	3.6V		?65°Cto+150°C
42613	DS90CR484VJDX	N.S	48-BitLVDSChannelLinkSER/DES? 33-112MHz	100 TQFP			
42617	DS90LV018ATM	N.S					
33056	DS90LV027M	N.S	LVDS Dual High Speed Differential Driver	8-Lead SOIC	1.43V	-4 mA	-65°C ~ +150°C
33058	DS90LV031ATM	N.S	3V LVDS Quad CMOS Differential Line Driver	16P/SO	1.38V	-6.0mA	-65°C ~ +150°C
33059	DS90LV047ATM	N.S	3V LVDS Quad CMOS Differential Line Driver	16P/SO	1.33V	-4.2mA	-65°C ~ +150°C
33053	DS90LV048ATM	N.S	3V LVDS Quad CMOS Differential Line Receiver	16P/SO	3.3V	-47mA	-65°C ~ +150°C
19478	DS90LV048ATMTC	N.S	3V LVDS Quad CMOS Differential Line Receiver	16P/TSSOP	3.3V	-47mA	-65°C ~ +150°C
33060	DS92LV1212TMSA	N.S	16-40 MHz 10-Bit Bus LVDS Random Lock Deserializer with Embedded Clock Recovery	28P/TSSOP	3.3V	-38mA	-65°C ~ +150°C
49535	E749BPJ	SEMTECH	SEMTECH_Octal Pin Electronic Driver/Receiver	68-Pin PLCC	18V		-65°C ~ +150°C
33603	HSDL-7000	Agilent	IR 3/16 Encode/Decode IC	SOP-8	6.5V	10mA	-65~+150
33605	HSDL-7001	Agilent	IR 3/16 Encode/Decode IC	16 Pin SOIC	0.5-4.5V	-100 - 100mA	-65 to +150 °C
27920	HT9032D	HOLTEK	来话显示晶片	8P/SOP	3.5V~5.5V		



服务专线: 台湾: 886-3-5753170

传 真: 台湾: 886-3-5753172

E-mail: 台湾: sale@100y.com.tw

深圳: 86-755-83298787

深圳: 86-755-83640655

深圳: 100y@163.com

上海: 86-21-34970699

上海: 86-21-64605107

上海: 100y-1@163.com