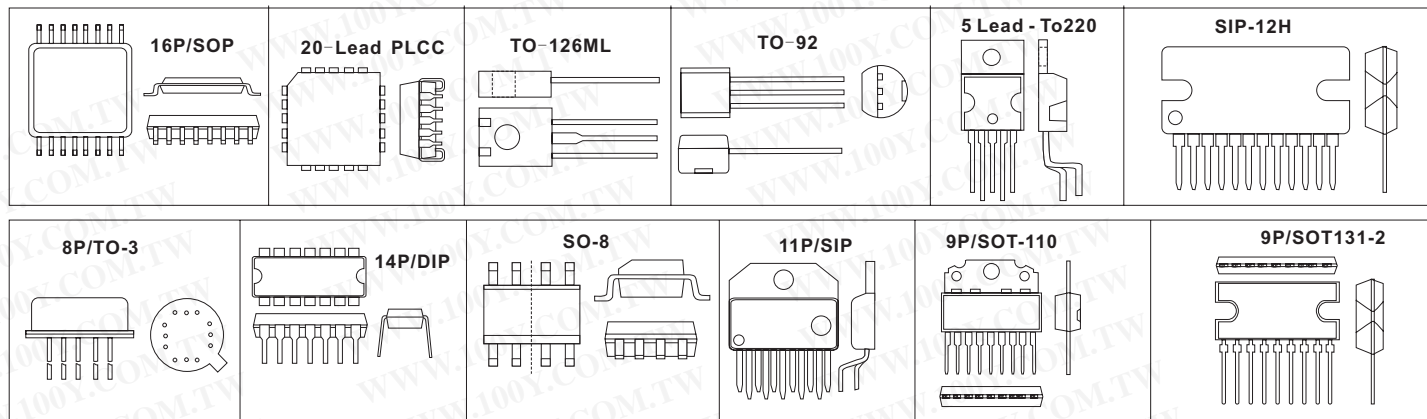




Audio Amp. IC 功率放大IC

详细产品规格 - 请点击 cn.100y.com.tw



100Y 编号	厂商编号	制造厂商	说明	Pins/Package
43069	AD8309ARU-REEL	ADI	5 MHz—500 MHz 100 dB Demodulating Logarithmic Amplifier with Limiter Output	16P/SOP
43067	AD831AP	ADI	Low Distortion Mixer	PLCC-20
41247	EL4331C	Elantec	TRIPLE 2:1 MUX-AMP AV=1	16L/SOIC
41248	EL4332CS	Elantec	MUX-AMP AV=2	16L/SOIC
17478	HA-5104/883	Intersil	Low Noise, High Performance, Quad Operational Amplifier	14P/DIP
17479	HI1-506/833	Intersil	Analog Multiplexer, Single 16-Channel, 883 Compliant	28P/DIP
22614	HSC2682	HSMC	NPN EPITAXIAL PLANAR TRANSISTOR	3P/TO-126ML
22643	KSA954Y	SAMSUNG	Audio Frequency Amplifier	3P/TO-92
22644	KSD471AC-Y	SAMSUNG	Audio Frequency Power Amplifier	3P/TO-92
39208	L165	ST(SGS)	13 Amp Power Operational Amplifier	TO-220/5P
45747	LA4635A	SANYODENKI	SANYO_SIP-12H	SIP-12H
46523	LA4636	SANYO	For General Audio Use 11 W 2-Channel BTL AF Power Amplifier	3049B-SIP12H
16226	LH0021CK	N.S	1.0 Amp Power Operational Amplifier	8P/TO-3
1234	LM1877N-9	N.S	Dual Audio Power Amplifier	14P/DIP
34741	LM2876T	N.S	Overture? Audio Power Amplifier Series High-Performance 40W Audio Power Amplifier w/Mute	11-lead TO-220
6657	LM380N	N.S	2-watt audio power amp.	14P/DIP
34437	LM386M-1	N.S	Low Voltage Audio Power Amplifier	8P/SOP
39067	LM386MMX-1	N.S	Low Voltage Audio Power Amplifier	8P/SOIC
7169	LM386MX-1	N.S	Low Voltage Audio Power Amplifier	8P/SOIC
1181	LM386N-1	N.S	Low Voltage Audio Power Amplifier	8P/DIP
39072	LM386N-3	N.S	Low Voltage Audio Power Amplifier	8P/SOIC
17655	LM3875T	N.S	High-Performance 56W Audio Power Amplifier	TO-220
34438	LM3876T	N.S	High-Performance 56W Audio Power Amplifier	11P/SIP
6553	LM388N-1	N.S	1.5 Watt audio power amplifier	14P/DIP
36609	LM4766T	N.S	Audio Power Amplifier Series Dual 40W Audio Power Amplifier with Mute	15P/TO-220
40441	LM4850MT	N.S	Mono 1.5 W / Stereo 300 mW Power Amplifier	14P/TSSOP
31998	LM4890MM	N.S	1 Watt Audio Power Amplifier	MSOP-8
31995	LM4892MM	N.S	1 Watt Audio Power Amplifier with Headphone Sense	MSOP-8
40797	LMC660CN	N.S	CMOS Quad Operational Amplifier	DIP/14P
17656	LMC662EN	N.S	CMOS Dual Operational Amplifier	8P/DIP
42432	MAX4411ETP-T	MAXIM	80mW, Fixed-Gain, Direct Drive, Stereo Headphone Amplifier with Shutdown	20 Thin QFN
19333	MC34118P	MOTOROLA	功率放大 IC	DIP
6874	MC34119P	MOTOROLA	Low power audio amplifier	8P/DIP
19335	MC3486DR	T.I.	功率放大 IC	16P/SOP
19334	MC3486N	T.I.	功率放大 IC-Pb Free	16P/DIP
33436	OP27GZ	ADI	Low-Noise, Precision Low-Noise, Precision Low-Noise, Precision Operational Amplifier	CERDIP 8-Lead
33455	OP37GS	ADI	Low Noise, Precision, High Speed Operational Amplifier	Plastic 8-Lead
41254	PA243MB	Elantec	POWER AMPLIFIER	8-MSOP
34427	PGA204AP	BB	Programmable Gain INSTRUMENTATION AMPLIFIER	16-Pin Plastic DIP
34429	PGA204AU	BB	Programmable Gain INSTRUMENTATION AMPLIFIER	SOL-16 Surface-Mount
34430	PGA205AP	BB	Programmable Gain INSTRUMENTATION AMPLIFIER	16-Pin Plastic DIP
34431	PGA205AU	BB	Programmable Gain INSTRUMENTATION AMPLIFIER	SOL-16 Surface Mount
41253	SE2520L		POWER AMPLIFIER	6P/LPCC
30622	TDA1308	PHILIPS	Class AB stereo headphone driver	SOP-8
11415	TDA1517/N3	PHILIPS	Stereo Power Amp.	9P/SOT-110
41886	TDA1517/N3/S5	PHILIPS	plastic single in-line medium power package with fin; 9 leads	SOT352-1
41883	TDA1517P	PHILIPS	plastic heat-dissipating dual in-line package; 18 leads	SOT398-1
18464	TDA1548T	PHILIPS	Bitstream continuous calibration filter-DAC with headphone driver and DSP	28P/SOP
7729	TDA2030AV	ST(SGS)	18W Hi-Fi AMPLIFIER AND 35W DRIVER	5P/TO-220
19365	TDA2040V	ST(SGS)	20W Hi-Fi AUDIO POWER AMPLIFIER	3P/PENTAWATT
19366	TDA7052A/N2	PHILIPS	功率放大 IC	DIP
11412	TDA7231A	ST(SGS)	AUDIO AMPLIFIER	8P/DIP
18965	TDA8351	PHILIPS	DC-coupled vertical deflection circuit	9P/SOT131-2

