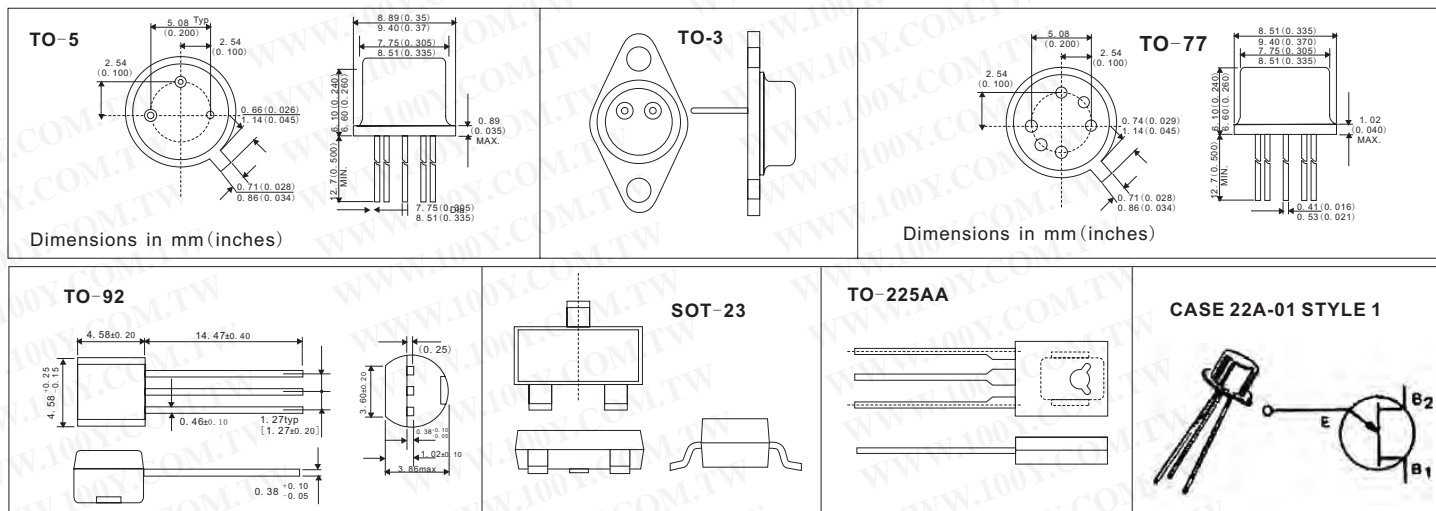


二极管+电晶体+模块

2N~系列电晶体

详细产品规格 - 请点击 cn.100y.com.tw



100Y 编号	厂商编号	制造厂商	说明	Pol	Ic(max)	Pc(max)	Vceo(max)	hfe(min.-max.)	Pins/Package
43827	2N697	Micro-semi	NPN MEDIUM POWER SILICON SWITCHING 电晶体	NPN		2W	60V	40-120	TO-5
3715	2N2955	UTC	功率用低频放大	PNP	-15A	115W	-60V	20-70	2P/TO-3
3713	2N3055	ST(SGS)	功率用低频放大	NPN	15A	115W	60V	20-70	3P/TO-3
35769	2N3771	ST(SGS)	HIGH POWER NPN SILICON TRANSISTOR	NPN	30A	150W	40V	15-60	TO-3
5780	2N3772	MOSPEC	High Power NPN Silicon Power Transistor	N	20A	150W	60V	15-60	2P/TO-3
31662	2N3773	MOSPEC	Complementary Silicon Power Transistor	NPN	16A	150W	140V	15-60	2P/TO-3
16578	2N3773	MOTOROLA	Complementary Silicon Power Transistor	N	16A	150W	140V	16-60	2P/TO-3
33038	2N6284	MOTOROLA	Darlington Complementary Silicon Power Transistor	NPN	20A	160W	100V	2400	2P/TO-3
17079	2N6287	ST(SGS)	Power Darlington Transistor	PNP	20A	160W	100V	750-18000	TO-3
36614	2N6385	MOTOROLA	NPN POWER SILICON TRANSISTOR	NPN	10A				TO-3
35811	2N6547	ON-Semi.	NPN SILICON POWER TRANSISTOR	NPN	15A	175W	400V	12-60	TO-3
16575	2N6678	MOTOROLA	NPN silicon power transistor	NPN	15A	175W	400V	15-40	2P/TO-3
23629	2N670	Infineon	PNP Low-Frequency Transistor	PNP	2A	0.3W	40V		
29229	UTC2N3055	UTC	功率用低频放大	NPN	15A	115W	60V	20-70	3P/TO-3
43813	2N2915	SEME LAB	DUAL NPN PLANAR TRANSISTOR	NPN	30	1.5W	45V	60-240	TO-77
43817	2N2920	SEME LAB	DUAL NPN PLANAR TRANSISTOR	NPN	30	1.5W	60V	40-600	TO-77
14578	2N3704	Fairchild	NPN General Purpose Amplifier	N	80A	36W	30V	100-300	3P/TO-92(A)
5765	2N3904	MOTOROLA	Small Signal Transistor	N	200mA	350mW	40V	100-300	3P/TO-92
41795	2N3904G	ON-Semi.	General Purpose Transistor	NPN	200mA	625mW	60V	100-300	TO-92
42911	2N3904L	UTC	NPN General Purpose Amplifier	NPN	200mA	625mW	40V	100-300	3P/TO-92
12203	2N3905	Fairchild	PNP General Purpose Amplifier	PNP	100mA	625mW	40V	50min.	3P/TO-92
36445	2N3905	N.S	PNP General Purpose Amplifier	PNP					3P/TO-92
1799	2N3906	MOTOROLA	General Purpose Transistor	P	0.2A	625mW	40V	100-300	3P/TO-92
41796	2N3906RLRM	ON-Semi.	General Purpose Transistor	PNP	200mA	625mW	40V	100-300	3P/TO-92
3882	2N4401	MOTOROLA	Small Signal Transistor	NPN	0.6A	625mW	40V	100-300	3P/TO-92
40612	2N4401-TA	Fairchild	NPN General Purpose Amplifier 无错 gnal Transistor	NPN	0.6A	625mW	40V	100-300	3P/TO-92
5800	2N4403	MOTOROLA	PNP General Purpose Amplifier	PNP	600mA	625mW	40V	100-300	3P/TO-92
32207	2N4403-TA	Fairchild	PNP General Purpose Amplifier	PNP	800mA	625mW	40V	100-300	3P/TO-92
41798	2N4403RLRAG	ON-Semi.	PNP General Purpose Amplifier(无错)	PNP	600mA	625mW	40V	100-300	3P/TO-92
11776	2N4871	MOTOROLA	Silicon unijunction transistor	NPN	50mA	300mW	35V		TO-92
5803	2N5401		Amplifier Transistor	NPN	-600mA	625mW	-150V	60-240	3P/TO-92
41802	2N5401G	ON-Semi.	Amplifier Transistor 无错	PNP	600mA	625mW	150V	60-240	3P/TO-92
29251	2N5550	MOTOROLA	Amplifier Transistor	NPN	600mA	625mW	140V	60-250	TO-92
5804	2N5551	MOTOROLA	Amplifier Transistor	NPN	600mA	625mW	160V	80-250	TO-92
39930	2N5777		SILICON NPN PHOTO DETECTOR	NPN	250mA		40V		TO-92
42104	2N5817		complementary silicon af medium power transistor	PNP	0.75A	625mW	40V		3P/TO-92
35793	2N6027	ON-Semi.	Programmable Unijunction Transistor			300 mW	40V		TO-92 (TO-226AA)
35796	2N6028	ON-Semi.	Programmable Unijunction Transistor			300 mW	40V		TO-92 (TO-226AA)
40064	2N6426	MOTOROLA	NPN Silicon Darlington Transistor	NPN	500mA		40V		TO-92
22260	2N6730		PNP Silicon Power Transistor	PNP	-1A	1W	-100V		TO-92
22585	H2N5401	HSMC	PNP EPITAXIAL PLANAR TRANSISTOR	PNP	-600mA		-150V	50-400	3P/TO-92
43060	2N5667	Micro-semi	NPN POWER SILICON SWITCHING TRANSISTOR	NPN	5A	15W	300V	10-120	TO-5
43086	2N6303	Micro-semi	Silicon PNP Power Transistor	PNP	1.5 Adc	6W	-80V	30-150	TO-5
29524	2N4401	PHILIPS	PHILIPS_2N~系列电晶体	NPN	600mA	625mW	40V	100-300	SOT-23(plastic)
13410	2N4920	ON-Semi.	For driver circuits, switching, and amplifier application	PNP	3A	30W	80V	30-150	3P/TO-225AA
13409	2N4923		For driver circuits, switching, and amplifier application	NPN	3A	30W	80V	30-150	3P/TO-225
40204	2N5191	ON-Semi.	Silicon NPN Power Transistor	NPN	4.0A	40W	60V	25-100	TO-225AA
43731	2N4948	MOTOROLA	2N~系列电晶体	PN	1A	360mW	30V		CASE 22A-01 STYLE 1
43729	2N4949	MOTOROLA	PN Unijunction Transistor	PN	1A	360mW	30V		CASE 22A-01 STYLE 1



服务专线: 台湾: 886-3-5753170

传 真: 台湾: 886-3-5753172

E-mail: 台湾: sale@100y.com.tw

深圳: 86-755-83298787

深圳: 86-755-83640655

深圳: 100y@163.com

上海: 86-21-34970699

上海: 86-21-64605107

上海: 100y-1@163.com