



# 二极管+电晶体+模块

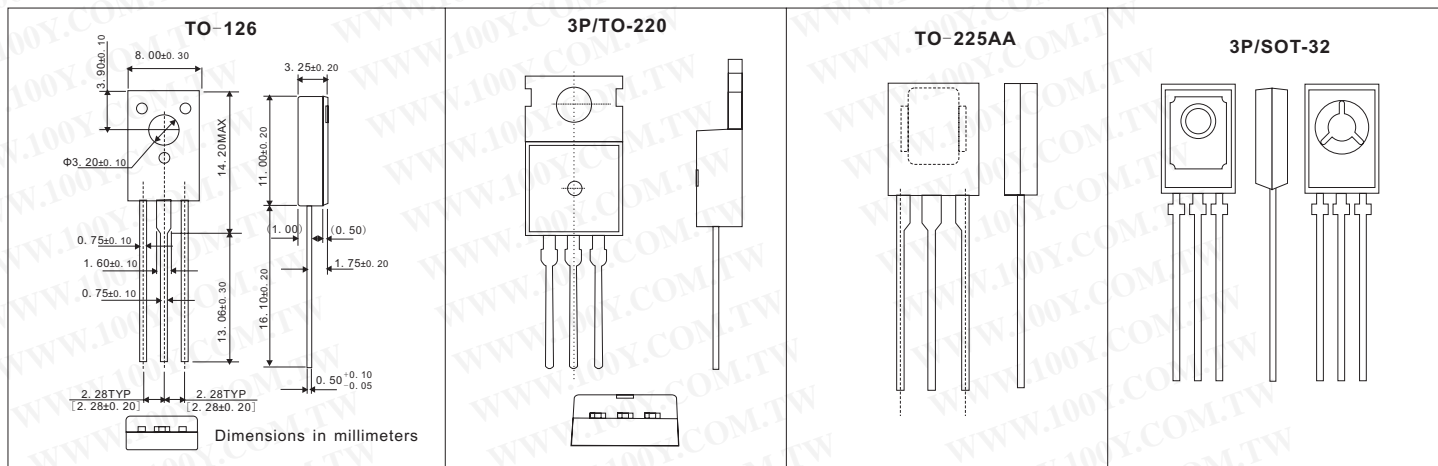
## BC~系列电晶体

详细产品规格 - 请点击 [cn.100y.com.tw](http://cn.100y.com.tw)

100Y 编号	厂商编号	制造厂商	说明	Marking/ 印记	Pol	Ic(max)	Pc(max)	Vceo(max)	Pins/Package
37103	BCR8CM-12L	MITSUBISHI	MEDIUM POWER USE NON-INSULATED TYPE, PLANAR PASSIVATION TYPE			8A	5W	600V	TO-220
42447	BCX56	PHILIPS	NPN medium power transistor		NPN	1A		100v	SOT89
40920	BFR30	PHILIPS	N-channel field-effect transistors	m1p	N	10mA	250mW	25V	SOT-23
44972	BFR30LT1	ON-Semi.	N-channel field-effect transistors	m1p	N	10mA	250mW	25V	SOT-23

## BD~系列电晶体

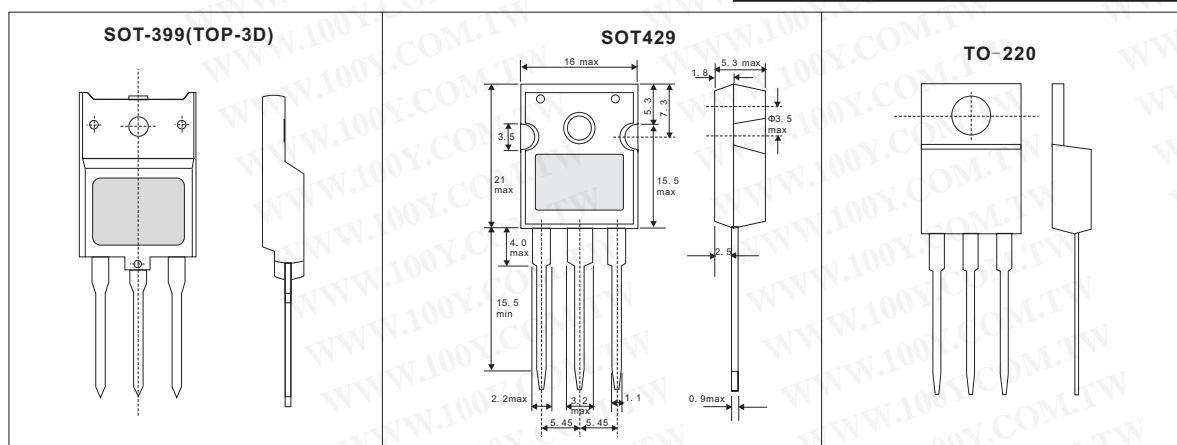
详细产品规格 - 请点击 [cn.100y.com.tw](http://cn.100y.com.tw)



100Y 编号	厂商编号	制造厂商	说明	Pol	Ic(max)	Pc(max)	Vceo(max)	hfe(min.-max.)	Pins/Package
27171	BD139-16	Fairchild	NPN Epitaxial Silicon Transistor	NPN	1.5A	12.5W	80V	40~160	3P/TO-126
22492	BD239C	PHILIPS	NPN Epitaxial Silicon Transistor	NPN	2A	30W	100V	15~40	3P/TO-220
14930	BD240BTU	ON-Semi.	Medium Power Linear and Switching Applications	PNP	-2A	30W	-80V	15~40	3P/TO-220
22496	BD240C	PHILIPS	PNP Epitaxial Silicon Transistor	PNP	-2A	30W	-100V	15~40	3P/TO-220
29069	BD676	MOTOROLA	Plastic Medium-Power Silicon NPN Darlington	NPN	4	40	45	750	TO-225A
20130	BD681	ST(SGS)	COMPLEMENTARY SILICON POWER DARLINGTON TRANSISTORS	NPN	4A	40W	100V		3P/SOT-32
14416	BD682	ON-Semi.	COMPLEMENTARY SILICON POWER DARLINGTON TRANSISTORS	PNP					3P/TO-126
41213	BD911	ST(SGS)	COMPLEMENTARY SILICON POWER TRANSISTORS	NPN	15A	90W	100V	40-250	3P/TO-220
19751	BD911	MOSPEC	COMPLEMENTARY SILICON PLASTIC POWER TRANSISTORS	NPN	15A	90W	100V	40-250	3P/TO-220
22497	BDX34A	MOSEL-VIT.	NPN Epitaxial Silicon Transistor	NPN	10A	70W	60V	750	3P/TO-220

## BU~系列电晶体

详细产品规格 - 请点击 [cn.100y.com.tw](http://cn.100y.com.tw)



100Y 编号	厂商编号	制造厂商	说明	Pol	Ic(max)	Pc(max)	Vceo(max)	hfe(min.-max.)	Pins/Package
29190	BU2508AX	PHILIPS	BU~系列电晶体	P	8A	45W	700V	4.0~7.0	SOT-399(TOP-3D)
29188	BU2525AW	PHILIPS	BU~系列电晶体		12A		800V	5~9.5	TO-3P
6526	BU406	MOSPEC	CRT Deflection Transistor	NPN	5A	60W	200V	5V	3P/TO-220
37595	BU406	Fairchild	NPN Epitaxial Silicon Transistor	NPN	5A	60W	200V	5V	3P/TO-220
6106	BU407	MOSPEC	High voltage horiz. Def.	NPN	7A	60W	150V	5V	3P/TO-220
22504	BU408		High Volt. Switching	NPN	7A	60W	200V		TO-220
13744	BUX84	MOSPEC	SWITCHMODE SERIES NPN POWER TRANSISTORS	NPN	2A	40W	400V	30(TYP.)	3P/TO-220
40195	BUZ71A	ST(SGS)	N - CHANNEL 50V - 0.1W - 13A TO-220 STripFET] POWER MOSFET	N					TO-220
37285	BUZ80A	ST(SGS)	IPMOS Power Transistor TO-220AB						TO-220



服务专线: 台湾: 886-3-5753170  
 传 真: 台湾: 886-3-5753172  
 E-mail: 台湾: sale@100y.com.tw

深圳: 86-755-83298787  
 深圳: 86-755-83640655  
 深圳: 100y@163.com

上海: 86-21-34970699  
 上海: 86-21-64605107  
 上海: 100y-1@163.com