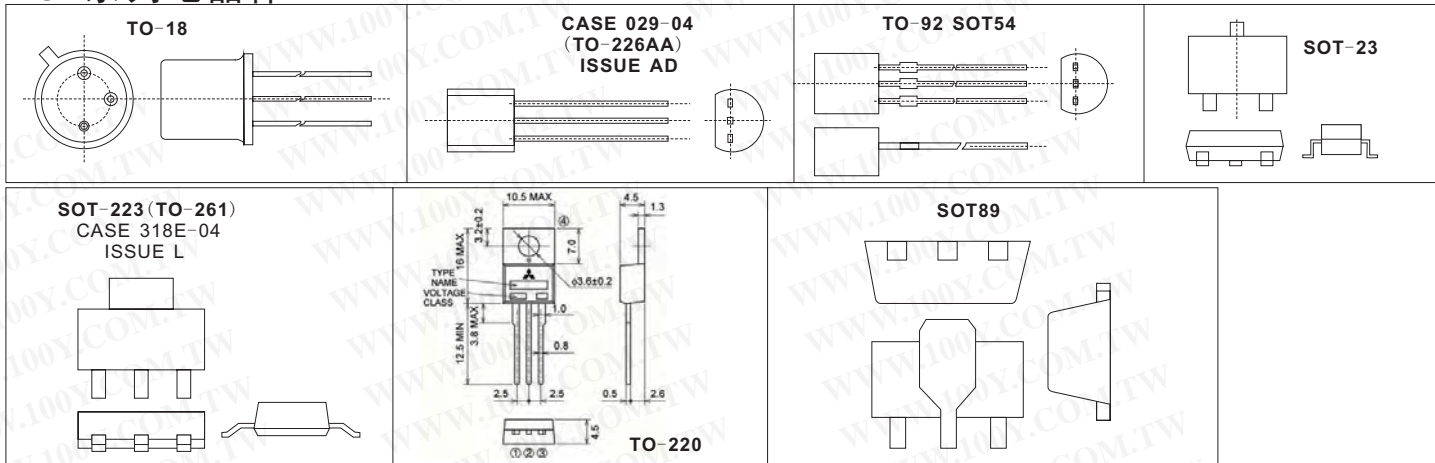


二极管+电晶体+模块

电晶体

BC~系列电晶体

详细产品规格 - 请点击 cn.100y.com.tw



100Y 编号	厂商编号	制造厂商	说明	Marking/ 印记	Pol	Ic(max)	Pc(max)	Vceo(max)	hfe(min.-max.)	Pins/Package
22351	BC107	ST(SGS)	LOW NOISE GENERAL PURPOSE AUDIO AMPLIFIERS		NPN	1A	3W	50V	110-450	3P/TO-18
41034	BC182	MOTOROLA	Amplifier Transistors NPN Silicon		NPN	100mA	1W	50V	40-500	TO-92 (TO-226AA)
32410	BC237B	ON-Semi.	Amplifier Transistor		NPN	100mA		45V	200-460	TO-92
23319	BC261B	ST(SGS)	AF MEDIUM POWER		PNP	0.1A	0.3W	45V	180-460	3P/TO-18
32411	BC307B	ON-Semi.	Amplifier Transistor		PNP	-100mA		-45V		TO-92
6120	BC327-25	SAMSUNG	PNP general purpose transistor		PNP	0.5A	0.8W	45V	160-400	3P/TO-92
17618	BC327-40	PHILIPS	PNP general purpose transistor		P	0.5A	0.8W	45V	250-600	3P/TO-92
32412	BC337-25	Fairchild	NPN General Purpose Amplifier		NPN	1A		45V	160-400	TO-92
6118	BC337-25	PHILIPS	NPN Epitaxial Silicon Transistor		NPN	0.5A	0.8W	45V	160-400	3P/TO-92
5788	BC546	Fairchild	SWITCHING AND AMPLIFIER		N	100mA	625mW	65V	125-500	3P/TO-92
32416	BC546B	ON-Semi.	Amplifier Transistor		NPN	0.1A		65V	200-450	TO-92
42710	BC547B	PHILIPS	SWITCHING AND AMPLIFIER		N	100mA			220-450	3P/TO-92
5789	BC547B	Fairchild	SWITCHING AND AMPLIFIER		N	100mA	625mW	45V	200-450	3P/TO-92
20062	BC547C	Fairchild	NPN General Purpose Amplifier		N	500mA	625mW	45V	420-800	3P/TO-92
31673	BC548	KEC	SWITCHING AND AMPLIFIER		NPN	100mA	625mW	30V	110-800	3P/TO-92
5793	BC548	Fairchild	SWITCHING AND AMPLIFIER		NPN	100mA	625mW	30V	110-800	3P/TO-92
32424	BC556B	ON-Semi.	Amplifier Transistor		PNP	-100mA		-65V		TO-92
28673	BC557B	PHILIPS	SWITCHING AND AMPLIFIER		P	-200mA	500mW	-45V	220-475	3P/TO-92
22484	BC558C	PHILIPS	PNP Epitaxial Silicon Transistor		PNP	-100mA	500mW	-30V	110-800	3P/TO-92
22485	BC635	PHILIPS	NPN Epitaxial Silicon Transistor		NPN	1A	1W	45V	40-250	3P/TO-92
5795	BC640	PHILIPS	SWITCHING AND AMPLIFIER APPLICATIONS		P	500mA	1W	60V	40-160	3P/TO-92
22486	BC807-40	WEITRON	PNP Silicon AF Transistors	5C	PNP	500mA	1A	-45V	250-600	3P/SOT-23
30164	BC807-40	PHILIPS	PHILIPS_PNP General Purpose Transistors	5C*	PNP	-0.5A	-250mW	-45V	250-600	3P/SOT-23
30116	BC817-25	PHILIPS	NPN Silicon AF Transistors(surface mount schottky barrier switching diode.)	6B	NPN	500mA	250mW	45V	160-400	3P/SOT23
22487	BC817-40	PHILIPS	NPN Epitaxial Silicon Transistor	6C	NPN	800mA	310mW	45V	250-630	3P/SOT-23
30118	BC846B	PHILIPS	NPN general purpose transistors	1B	NPN	100mA		65V	200-450	3P/SOT-23
25777	BC846B	WEITRON	NPN general purpose transistors	1B	NPN	100mA		65V	200-450	3P/SOT-23
41834	BC846BLT1	ON-Semi.	General Purpose Transistor		NPN	0.1A	225mW	65V	200-450	SOT-23
41836	BC846BLT1G	ON-Semi.	General Purpose Transistor		NPN	0.1A	0.225W	65V	200-450	SOT-23
22488	BC847B	WEITRON	NPN general purpose transistors	1F	NPN	100mA	250mW	45V	200-450	3P/SOT-23
30120	BC847B	PHILIPS	NPN general purpose transistors	1F	NPN	100mA	250mW	45V	200-450	3P/SOT-23
48405	BC847C	PHILIPS	飞利浦 BC~系列电晶体		NPN	100mA		45V	420-800	3P/SOT-23
41837	BC847CLT1	ON-Semi.	General Purpose Transistor		NPN	0.1A	0.225W	45V	420-800	SOT-23
30132	BC848B	PHILIPS	General Purpose(NPN surface mount small signal transistor)	1K	NPN	0.1A	250mW	30V	200-450	3P/SOT-23
41838	BC848CLT1G	ON-Semi.	General Purpose Transistor		NPN	0.1A	0.225W	30V	420-800	SOT-23
41839	BC856BLT1G	ON-Semi.	General Purpose Transistor		PNP	0.1A	0.225W	65V	220-475	SOT-23
22491	BC857A	WEITRON	PNP SILICON PLANAR GENERAL PURPOSE TRANSISTORS	3E	PNP	-100mA	225mW	-45V	125-250	3P/SOT-23
41841	BC857ALT1G	ON-Semi.	General Purpose Transistor		PNP	0.1A	0.225W	45V	125-250	SOT-23
22489	BC857B	PHILIPS	PNP General Purpose Transistor	3F*	PNP	-100mA	-250mW	-45V	220-475	3P/SOT-23
44981	BC857C	PHILIPS	PHILIPS 3P/SOT-23	3G*(-/t)	PNP	-100mA	-250mW	45v	420-800	3P/SOT-23
41843	BC858CLT1G	ON-Semi.	General Purpose Transistor		PNP	0.1A	0.225W	30V	420-800	SOP-23
44218	BCP56T1	ON-Semi.	ON_SOT-223_1000Tape and reel	BH	NPN	1A		100V		SOT-223/1000Tape and reel



服务专线: 台湾: 886-3-5753170
 传 真: 台湾: 886-3-5753172
 E-mail: 台湾: sale@100y.com.tw

深圳: 86-755-83298787
 深圳: 86-755-83640655
 深圳: 100y@163.com

上海: 86-21-34970699
 上海: 86-21-64605107
 上海: 100y-1@163.com