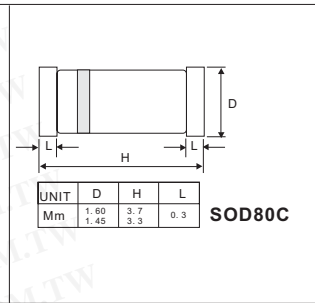
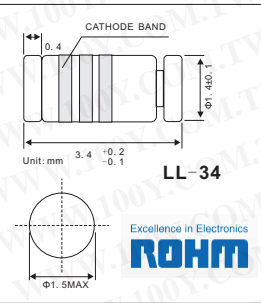
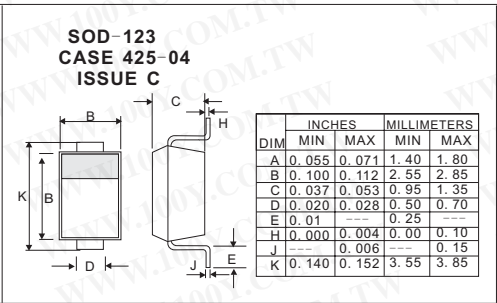
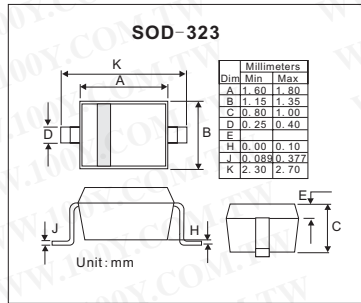
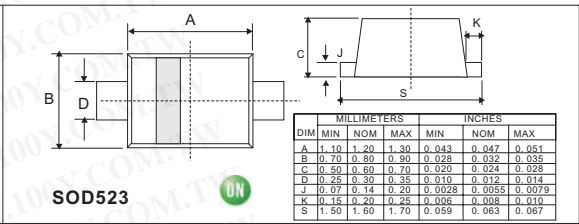
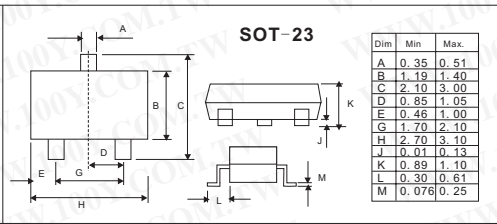
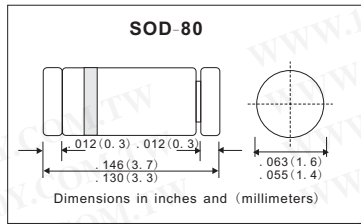


二极管+电晶体+模块

SMD 稳压二极管

详细产品规格 - 请点击 cn.100y.com.tw



100Y 编号	厂商编号	制造厂商	说明	Package	Vz	Pd max/W	Izt/mA
40878	BZT52C11S		200mW ZENER Diode	SOD-323	10.4~11.6V	200mW	5mA
40877	BZT52C9V1S		200mW ZENER Diode	SOD-323	8.5~9.6V	200mW	5mA
16256	BZV55-C5V1	PHILIPS	Philips-5.1Vz Zener Diode	SOD80C	5.1V	500mW	5mA
29065	MM3Z10V	WEITRON	WEITRON_200mW Zener Diode	SOD-323	10Vz	200mW	5mA
40563	MM3Z11V	WEITRON	WEITRON_200mW Zener Diode	SOD-323	11Vz	200mW	5mA
42176	MM3Z11VT1G	ON-Semi.	Zener Diode	SOD-323	11V	02w	5mA
40250	MM3Z15V	WEITRON	WEITRON_200mW Zener Diode	SOD-323	15Vz	200mW	5mA
42177	MM3Z15VT1G	ON-Semi.	Zener Diode	SOD-323	15V	0.2W	5mA
29066	MM3Z16V	WEITRON	WEITRON_200mW Zener Diode	SOD-323	16.2Vz	200mW	5mA
42178	MM3Z20VT1	ON-Semi.	Zener Diode	SOD-323	20V	0.2W	5mA
40391	MM3Z24V	WEITRON	WEITRON_200mW Zener Diode	SOD-323	24.2Vz	200mW	5mA
42179	MM3Z27V1	ON-Semi.	Zener Diode	SOD-323	2.7V	0.2W	5mA
42180	MM3Z4V3ST1G	ON-Semi.	Zener Voltage Regulators	SOD-323	4.3V	0.2W	5mA
42181	MM3Z4V7ST1G	ON-Semi.	Zener Voltage Regulators	SOD-323	4.7V	0.2W	5mA
40249	MM3Z5V1	WEITRON	WEITRON_200mW Zener Diode	SOD-323	5.1Vz	200mW	5mA
42182	MM3Z5V1ST1G	ON-Semi.	Zener Voltage Regulators	SOD-323	5.1V	0.2W	5mA
42183	MM3Z7V5ST1G	ON-Semi.	Zener Voltage Regulators	SOD-323	7.5V	0.2W	5mA
42184	MM3Z8V2ST1	ON-Semi.	Zener Voltage Regulators	SOD-323	8.2V	0.2W	5mA
42185	MM3Z9V1ST1G	ON-Semi.	Zener Voltage Regulators	SOD-323	9.1V	0.2W	5mA
42186	MM3Z9V1T1G	ON-Semi.	Zener Diode	SOD-323	9.1v	0.2W	5mA
16254	ZMM2.4	PHILIPS	2.4Vz Zener Diode	SOD-80	2.4V	500mW	5mA
16253	ZMM3.0	PHILIPS	3.0Vz Zener Diode	SOD-80	3.0V	500mW	5mA
16255	ZMM3.3	PHILIPS	3.3Vz Zener Diode	SOD-80	3.3V	500mW	5mA
40519	BZV55C12		12.7Vz Zener Diode	SOD-80	12.7V	500mW	5mA
39604	BZX84C 5V6	Fairchild	Zeners	SOT-23	40	350W	250mA
48172	BZX84C10	Fairchild	FSC_SMD 稳压二极管	SOT-23	10V	350 mW	250mA
41862	BZX84C11LT1G	ON-Semi.	Zener Voltage Regulators	SOT-23	11v	225mW	5mA
41656	BZX84C15LT1	ON-Semi.	Zener Voltage Regulators	SOT-23	15V	225mW	5mA
48173	BZX84C18	Fairchild	FSC_SMD 稳压二极管	SOT-23	18V	350 mW	250mA
41868	BZX84C3V0LT1	ON-Semi.	Zener Voltage Regulators	SOT-23	3V	0.225W	5mA
41869	BZX84C3V9LT1G	ON-Semi.	Zener Voltage Regulators	SOT-23	3.9V	0.225W	5mA
41870	BZX84C43LT1G	ON-Semi.	Zener Voltage Regulators	SOT-23	43V	0.225W	5mA
41871	BZX84C4V7LT1G	ON-Semi.	Zener Voltage Regulators	SOT-23	4.7V	225mW	5mA
41872	BZX84C5V1LT1G	ON-Semi.	Zener Voltage Regulators	SOT-23	5.1V	0.225W	5mA
41874	BZX84C6V2ELT1G	ON-Semi.	Zener Voltage Regulators	SOT-23	6.2V	0.225W	5mA
41873	BZX84C7V5LT1G	ON-Semi.	Zener Voltage Regulators	SOT-23	7.5V	0.225W	5mA
41864	BZX84C12LT1G	ON-Semi.	Zener Voltage Regulators	SOT-23	12V	225mW	5mA
41866	BZX84C20LT1G	ON-Semi.	Zener Voltage Regulators	SOT-23	20V	225mW	5mA
42232	MMBZ33VALT1G	ON-Semi.	Dual Common Anode Zeners	SOT-23	33 V		
42234	MMBZ5221BLT1G	ON-Semi.	Zener Voltage Regulators	SOT-23	2.4V	0.225W	20mA
42235	MMBZ5222BLT1	ON-Semi.	Zener Voltage Regulators	SOT-23	2.5V	0.225W	20mA
42236	MMBZ5225BLT1G	ON-Semi.	Zener Voltage Regulators	SOT-23	3V	0.225W	20mA
42238	MMBZ5226BLT1	ON-Semi.	Zener Voltage Regulators	SOT-23	3.3V	0.225W	20mA
12304	MMBZ5226BLT1	ON-Semi.	Zener Diode	SOT-23	3.3V	225mW	25mA
12299	MMBZ5231BLT1	ON-Semi.	Zener Diode	SOT-23	5.1V	225mW	0.25mA
42239	MMBZ5232BLT1	ON-Semi.	Zener Voltage Regulators	SOT-23	5.6V	0.225W	20mA
42241	MMBZ5233BLT1G	ON-Semi.	Zener Voltage Regulators	SOT-23	6V	0.225W	20mA
42243	MMBZ5237BLT1G	ON-Semi.	Zener Voltage Regulators	SOT-23	8.2V	0.225W	20mA



服务专线: 台湾: 886-3-5753170

传 真: 台湾: 886-3-5753172

E-mail: 台湾: sale@100y.com.tw

深圳: 86-755-83298787

深圳: 86-755-83640655

深圳: 100y@163.com

上海: 86-21-34970699

上海: 86-21-64605107

上海: 100y-1@163.com