

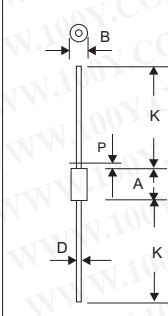
DACO_SA_TVS

详细产品规格 - 请点击 cn.100y.com.tw

100Y 编号	厂商编号	制造厂商	说明	Power (W)	Stand-off Vrwm	Vbr min	Vbr max	单/双向	Package
26565	SA8.0A	DACO	500W TVS DIODE	500W	25V	8.89V	9.83V	UNDIRECTIONAL	DO-15
26566	SA8.5	DACO	500W TVS DIODE	500W	10V	9.44V	11.5V	UNDIRECTIONAL	DO-15
26567	SA8.5A	DACO	500W TVS DIODE	500W	10V	9.44V	10.4V	UNDIRECTIONAL	DO-15
26694	SA85	DACO	500W TVS DIODE	500W	1.0V	94.4V	115V	UNDIRECTIONAL	DO-15
26695	SA85A	DACO	500W TVS DIODE	500W	1.0V	94.4V	104V	UNDIRECTIONAL	DO-15
26568	SA9.0	DACO	500W TVS DIODE	500W	5.0V	10.0V	12.2V	UNDIRECTIONAL	DO-15
26569	SA9.0A	DACO	500W TVS DIODE	500W	5.0V	10.0V	11.1V	UNDIRECTIONAL	DO-15
26696	SA90	DACO	500W TVS DIODE	500W	1.0V	100V	122V	UNDIRECTIONAL	DO-15
42564	SA90A	ON-Semi.	MiniMOSORB Transient Voltage Suppressors	500 Watt					AXIAL LEAD
26697	SA90A	DACO	500W TVS DIODE	500W	1.0V	100V	111V	UNDIRECTIONAL	DO-15

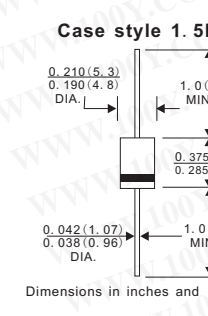
其他_瞬变电压抑制二极管(TVS)

详细产品规格 - 请点击 cn.100y.com.tw



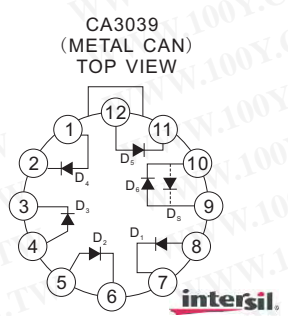
MOSORB CASE 41A-04 ISSUE D

DIM	INCHES		MILLIMETERS	
	MIN	MAX	MIN	MAX
A	0.335	0.374	8.50	9.50
B	0.189	0.209	4.80	5.30
D	0.038	0.042	0.96	1.06
K	1.000	---	25.40	---
P	---	0.060	---	1.27

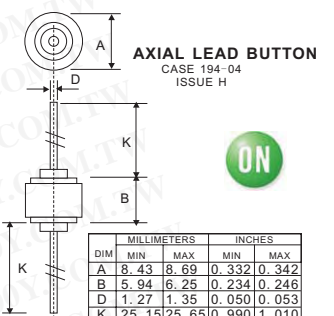


Case style 1.5KE VISHAY

Dimensions in inches and (millimeters)

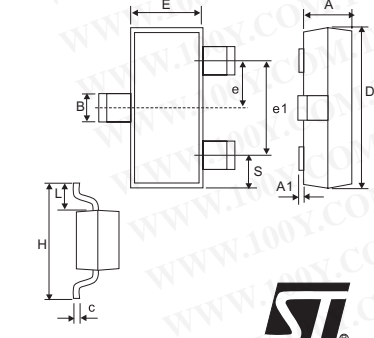


CA3039 (METAL CAN) TOP VIEW



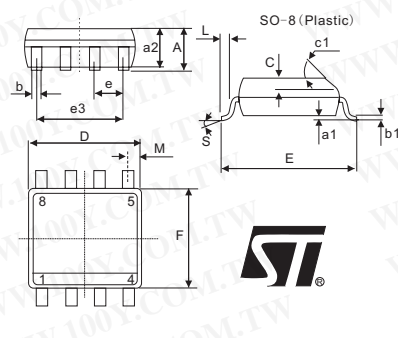
AXIAL LEAD BUTTON CASE 194-04 ISSUE H

DIM	MILLIMETERS		INCHES	
	MIN	MAX	MIN	MAX
A	8.43	8.69	0.332	0.342
B	5.94	6.25	0.234	0.246
D	1.27	1.35	0.050	0.053
K	25.15	25.65	0.990	1.010



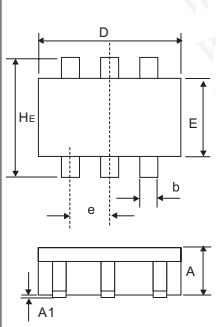
SOT23 (Plastic)

REF.	Millimeters		Inches	
	Min	Max	Min	Max
A	0.89	1.4	0.035	0.055
A1	0	0.1	0	0.004
B	0.3	0.51	0.012	0.02
c	0.085	0.18	0.003	0.007
D	2.75	3.04	0.108	0.12
e	0.85	1.05	0.033	0.041
e1	1.7	2.1	0.067	0.083
E	1.2	1.6	0.047	0.063
H	2.1	2.75	0.083	0.108
L	0.6typ.	---	0.024typ	---
S	0.35	0.65	0.014	0.026



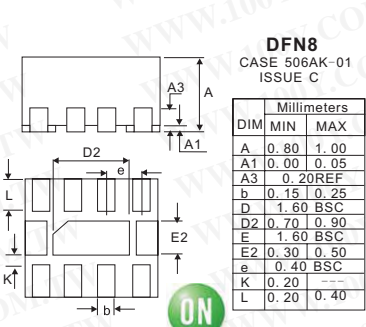
SO-8 (Plastic)

REF	Millimeters		Inches	
	Min	Max	Min	Max
A	1.75	---	0.069	---
a1	0.25	0.004	0.010	---
a2	1.65	---	0.065	---
b	0.35	0.48	0.014	0.019
b1	0.19	0.25	0.007	0.010
C	0.50	---	0.020	---
c1	45° (typ)	---	---	---
D	4.8	5.0	0.189	0.197
E	5.8	6.2	0.228	0.244
e	1.27	---	0.050	---
e3	3.81	---	0.150	---
F	3.8	4.0	0.15	0.157
L	0.4	1.27	0.016	0.050
M	0.6	---	0.024	---
S	8° (max)	---	---	---



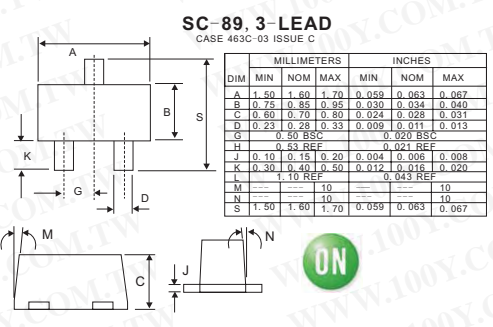
TSOP-6 CASE 318F-05 ISSUE L

DIM	MILLIMETERS			INCHES		
	MIN	NOM	MAX	MIN	NOM	MAX
A	0.90	1.00	1.10	0.035	0.039	0.043
A1	0.01	0.06	0.10	0.001	0.002	0.004
b	0.25	0.37	0.50	0.010	0.015	0.020
c	0.10	0.18	0.28	0.004	0.007	0.010
D	2.90	3.00	3.10	0.114	0.118	0.122
E	1.30	1.50	1.70	0.051	0.059	0.067
e	0.85	0.95	1.05	0.034	0.037	0.041
L	0.20	0.40	0.690	0.008	0.016	0.024
He	2.50	2.75	3.00	0.099	0.108	0.118
Ø	10°	---	10°	---	10°	---



DFN8 CASE 506AK-01 ISSUE C

DIM	Millimeters	
	MIN	MAX
A	0.80	1.00
A1	0.00	0.05
A3	0.20	REF
b	0.15	0.25
D	1.60	BSC
D2	0.70	0.90
E	1.60	BSC
E2	0.30	0.50
e	0.40	BSC
K	0.20	---
L	0.20	0.40



SC-89, 3-LEAD CASE 463C-03 ISSUE C

DIM	MILLIMETERS			INCHES		
	MIN	NOM	MAX	MIN	NOM	MAX
A	1.50	1.60	1.70	0.059	0.063	0.067
B	0.75	0.85	0.95	0.030	0.034	0.040
C	0.60	0.70	0.80	0.024	0.028	0.031
D	0.23	0.28	0.33	0.009	0.011	0.013
G	0.50	BSC	---	0.020	BSC	---
H	0.53	REF	---	0.021	REF	---
J	0.10	0.15	0.20	0.004	0.006	0.008
K	0.30	0.40	0.50	0.012	0.016	0.020
N	---	10	---	---	0.043	REF
---	---	---	---	---	10	---
S	1.50	1.60	1.70	0.059	0.063	0.067

100Y 编号	厂商编号	制造厂商	说明	Power (W)	Stand-off Vrwm	Vbr min	Vbr max	单/双向	Package
35588	1N6267A	ON-Semi.	1500 Watt MOSORB Transient Voltage Suppressors 6.8 V Unidir	1500W	5.8V	6.45V	7.14V	单向	AXIAL LEAD
35589	1N6277A	ON-Semi.	1500 Watt MOSORB Transient Voltage Suppressors 6.8 V Unidir	1500W	15.3V	17.1V	18.9V	单向	AXIAL LEAD
39419	1N6303	VISHAY	TRANSZORB® Transient Voltage Suppressor	1500 W	162v	180V	220V	uni-directional	Case Style 1.5KE
43952	CA3039	Intersil	瞬变电压抑制二极管(TVS)			5V	20V		12 Pin Metal Can
34421	ITA6V1U1	ST(SGS)	TRANSILTM ARRAY FOR DATALINE PROTECTION	300W	5V	6.10V			SO-8
35479	MR2535L	ON-Semi.	Overvoltage Transient Suppressors		20V	24V	32V		Axial Lead Button
42539	NUP4301MR6T1G	ON-Semi.	Low Capacitance Diode			70V			TSOP-6
42541	NUP4304MR6T1G	ON-Semi.	Low Capacitance Diode Array Low Capacitance Diode Array						TSOP-6
42542	NUP8010MNT1G	ON-Semi.	8 Line Low Capacitance Transient Voltage Suppressor						DFN8
42544	NZL5V6AXV3T1G	ON-Semi.	ESD Protection Dual Common Anode Diodes						SC-89
39722	P6KE120CA		P6KE_TVS	600W					DO-15