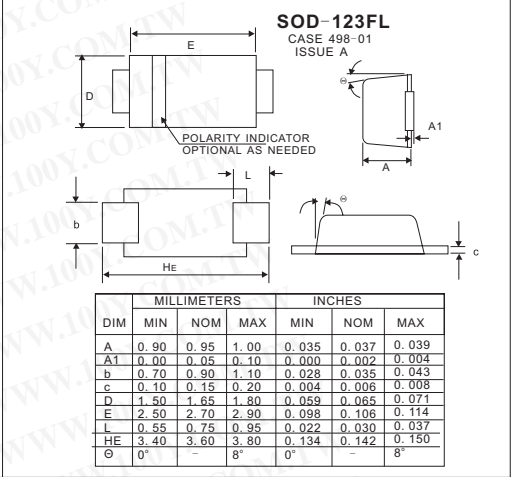
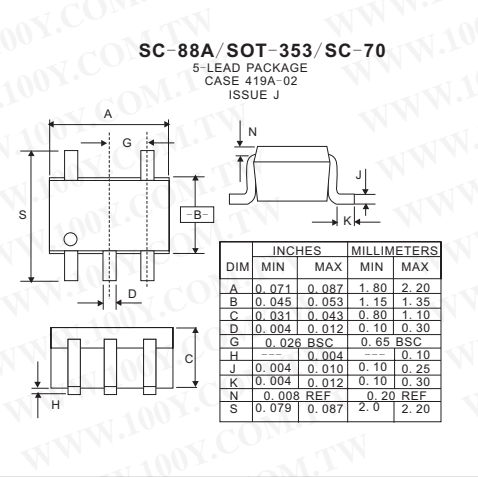
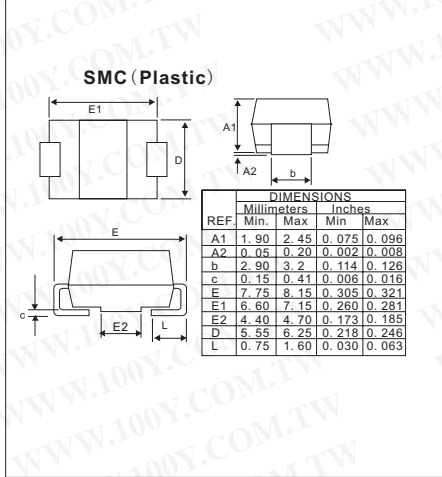
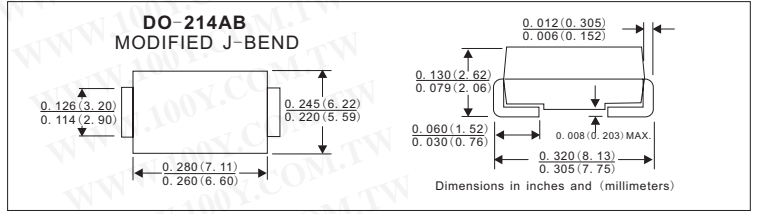
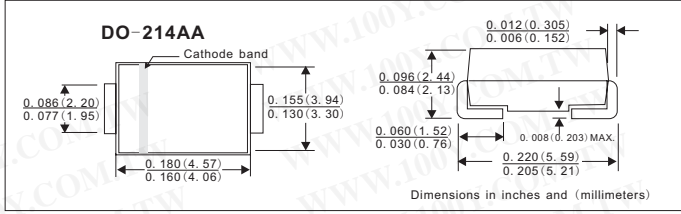


二极管+电晶体+模块

SM_瞬变电压抑制二极管(TVS)

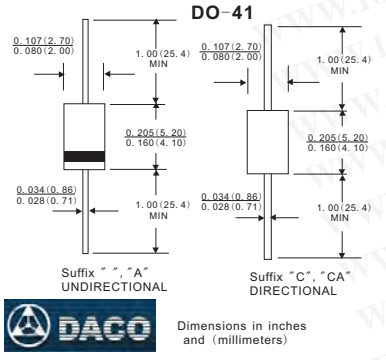
详细产品规格 - 请点击 cn.100y.com.tw



100Y 编号	厂商编号	制造厂商	说明	Power (W)	Stand-off Vrwm	Vbr min	Package	Vbr max	单/双向
35245	SMBJ5.0A	VISHAY	SURFACE MOUNT TRANSZORB? TRANSIENT VOLTAGE SUPPRESSOR	600W	5.0V	6.4V	DO-214AA	7.07V	双向
35222	SMBJ5.0CA	Fairchild	600 Watt Transient Voltage Suppressors	600W	5.0V	6.4V	DO-214AA	7.0V	双向
41679	SMBJ51A	VISHAY	SURFACE MOUNT TRANSZORB? TRANSIENT VOLTAGE SUPPRESSOR	600W	51V	56.7V	DO-214AA	62.7V	双向
41680	SMBJ54A	VISHAY	SURFACE MOUNT TRANSZORB? TRANSIENT VOLTAGE SUPPRESSOR	600W	54V	60V	DO-214AA	66.3V	双向
41682	SMBJ58A	VISHAY	SURFACE MOUNT TRANSZORB? TRANSIENT VOLTAGE SUPPRESSOR	600W	58V	64.4V	DO-214AA	71.2V	双向
35250	SMBJ6.0A	VISHAY	SURFACE MOUNT TRANSZORB? TRANSIENT VOLTAGE SUPPRESSOR	600W	6.0V	6.67V	DO-214AA	7.37V	双向
35224	SMBJ6.0CA	Fairchild	600 Watt Transient Voltage Suppressors	600W	6.0V	6.67V	DO-214AA	7.37V	双向
35244	SMBJ7.5A	VISHAY	SURFACE MOUNT TRANSZORB? TRANSIENT VOLTAGE SUPPRESSOR	600W	7.5V	8.33V	DO-214AA	9.21V	双向
35221	SMBJ7.5CA	Fairchild	600 Watt Transient Voltage Suppressors	600W	7.5V	8.33V	DO-214AA	9.21V	双向
35205	SMCJ22A	VISHAY	SURFACE MOUNT TRANSZORB? TRANSIENT VOLTAGE SUPPRESSOR	1500W	22V	24.4V	DO-214AB	26.9V	双向
35203	SMCJ33A	VISHAY	SURFACE MOUNT TRANSZORB? TRANSIENT VOLTAGE SUPPRESSOR	1500W	33V	36.7V	DO-214AB	40.6V	双向
35202	SMCJ33CA	Fairchild	Transient Voltage Suppressors	1500W	33V	36.7V	DO-214AB	40.6V	双向
35198	SMCJ48A	VISHAY	SURFACE MOUNT TRANSZORB? TRANSIENT VOLTAGE SUPPRESSOR	1500W	48V	53.3V	DO-214AB	58.9V	双向
35196	SMCJ48CA	Fairchild	Transient Voltage Suppressors	1500W	48V	53.3V	DO-214AB	58.9V	双向
35194	SMCJ5.0	VISHAY	SURFACE MOUNT TRANSZORB? TRANSIENT VOLTAGE SUPPRESSOR	1500W	5.0V	6.4V	DO-214AB	7.82V	单向
35190	SMCJ6.0CA-TR	ST(SGS)	TRANSILTM	1500 W	6.0V	6.7V	DO-214AB		单向
42567	SMF05T1G	ON-Semi.	TVS Quad Array	200 Watt			SC-88A		
42569	SMF16AT1G	ON-Semi.	Transient Voltage Suppressors	200 Watt			SOD-123FL		

DACO_P4KE_TVS

详细产品规格 - 请点击 cn.100y.com.tw



100Y 编号	厂商编号	制造厂商	说明	Power (W)	Stand-off Vrwm	Vbr min	Vbr max	单/双向	Package
24865	P4KE10	DACO	DACO_P4KE_TVS	400W	8.1V	9V	11V	单向	DO-41
25210	P4KE100	DACO	DACO_P4KE_TVS	400W	81V	90V	110V	Unidirectional	DO-41
25606	P4KE100C	DACO	DACO_P4KE_TVS	400W	81V	90V	110V	Directional	DO-41
25649	P4KE100CA	DACO	DACO_P4KE_TVS	400W	85.5V	95V	105V	Directional	DO-41
25260	P4KE10A	DACO	DACO_P4KE_TVS	400W	8.55V	9.5V	10.5V	Unidirectional	DO-41
25438	P4KE10C	DACO	DACO_P4KE_TVS	400W	8.1V	9V	11V	Directional	DO-41
25625	P4KE10CA	DACO	DACO_P4KE_TVS	400W	8.55V	9.5V	10.5V	Directional	DO-41
24866	P4KE11	DACO	DACO_P4KE_TVS	400W	8.92V	9.9V	12.1V	单向	DO-41
25217	P4KE110	DACO	DACO_P4KE_TVS	400W	89.2V	99V	121V	Unidirectional	DO-41
25607	P4KE110C	DACO	DACO_P4KE_TVS	400W	89.2V	99V	121V	Directional	DO-41
25650	P4KE110CA	DACO	DACO_P4KE_TVS	400W	94V	105V	116V	Directional	DO-41
25269	P4KE11A	DACO	DACO_P4KE_TVS	400W	9.4V	10.5V	11.6V	Unidirectional	DO-41
25473	P4KE11C	DACO	DACO_P4KE_TVS	400W	8.92V	9.9V	12.1V	Directional	DO-41
25626	P4KE11CA	DACO	DACO_P4KE_TVS	400W	9.4V	10.5V	11.6V	Directional	DO-41
24867	P4KE12	DACO	DACO_P4KE_TVS	400W	9.72V	10.8V	13.2V	单向	DO-41
25218	P4KE120	DACO	DACO_P4KE_TVS	400W	97.2V	108V	132V	Unidirectional	DO-41
25608	P4KE120C	DACO	DACO_P4KE_TVS	400W	97.2V	108V	132V	Directional	DO-41
25651	P4KE120CA	DACO	DACO_P4KE_TVS	400W	102V	114V	126V	Directional	DO-41



服务专线: 台湾: 886-3-5753170
 传真: 台湾: 886-3-5753172
 E-mail: 台湾: sale@100y.com.tw

深圳: 86-755-83298787
 深圳: 86-755-83640655
 深圳: 100y@163.com

上海: 86-21-34970699
 上海: 86-21-64605107
 上海: 100y-1@163.com