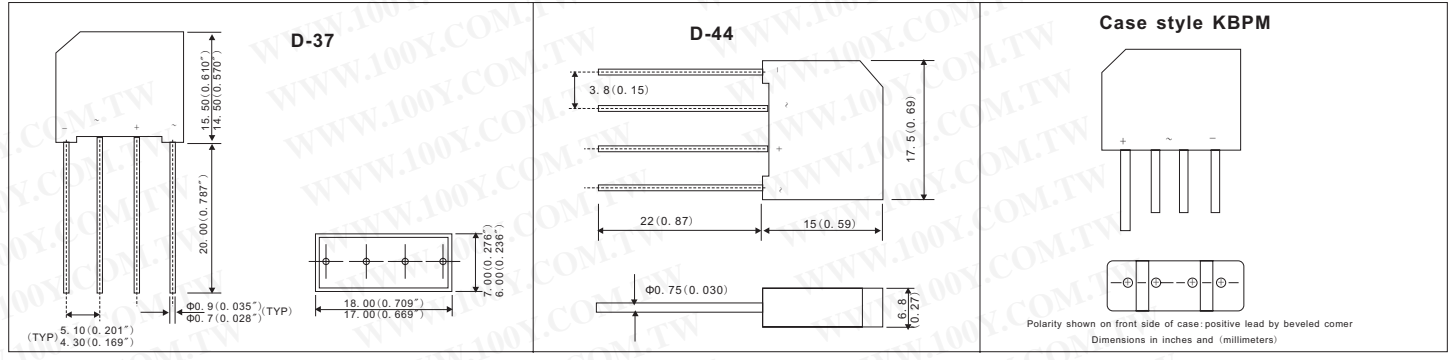


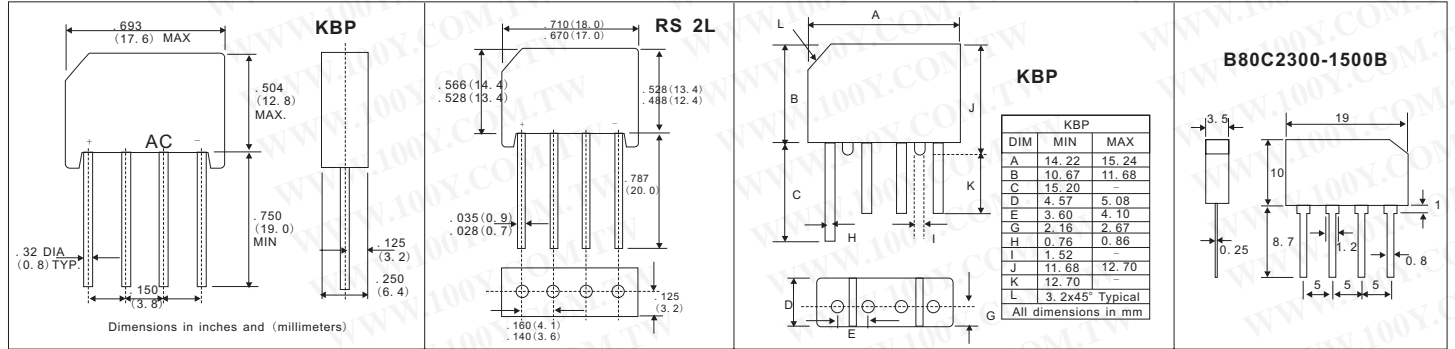
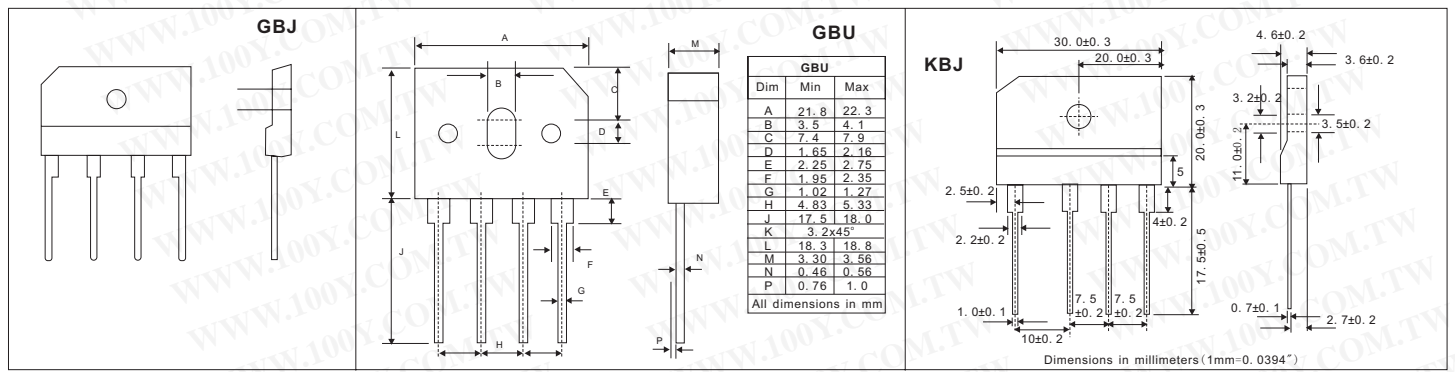
二极管+电晶体+模块

直线形桥式整流器

详细产品规格 - 请点击 cn.100y.com.tw



100Y 编号	厂商编号	制造厂商	说明 0	Vrrm	IF (A)	Package
35736	2KBB10	IR	1.9A single phase rectifier bridge	100V	1.9A	D-37
35738	2KBB10R	IR	1.9A single phase rectifier bridge	100V	1.9A	D-37
35739	2KBB20	IR	1.9A single phase rectifier bridge	200V	1.9A	D-37
35740	2KBB20R	IR	1.9A single phase rectifier bridge	200V	1.9A	D-37
35741	2KBB40	IR	1.9A single phase rectifier bridge	400V	1.9A	D-37
35743	2KBB40R	IR	1.9A single phase rectifier bridge	400V	1.9A	D-37
35744	2KBB60	IR	1.9A single phase rectifier bridge	600V	1.9A	D-37
35745	2KBB60R	IR	1.9A single phase rectifier bridge	600V	1.9A	D-37
35746	2KBB80	IR	1.9A single phase rectifier bridge	800V	1.9A	D-37
35751	2KBP08	IR	2A single phase rectifier bridge	800V	2A	D-44
35750	2KBP02	IR	2A single phase rectifier bridge	200V	2A	D-44
35752	2KBP02M	VISHAY	GLASS PASSIVATED SINGLE-PHASE BRIDGE RECTIFIER	200V	2.0A	KBPM
35754	2KBP04M	VISHAY	SINGLE-PHASE BRIDGE RECTIFIER	400V	2.0A	KBPM
35755	2KBP08M	VISHAY	SINGLE-PHASE BRIDGE RECTIFIER	800V	2.0A	KBPM
35756	2KBP10M	VISHAY	SINGLE-PHASE BRIDGE RECTIFIER	1000V	2.0A	KBPM



100Y 编号	厂商编号	制造厂商	说明 0	Vrrm	IF (A)	Package
19647	GBJ8B	PANJIT	GLASS PASSIVATED SINGLE-PHASE BRIDGE RECTIFIER	100V	8A	GBJ
35725	6GBU06	IR	6.0 Amps Single Phase Full Wave	600V	6A	4P
28651	B80C2300-1500B		桥式整流器	160V		
40688	GBU1008		Bridge Rectifiers	800V	10A	GBU
28488	KBJ1510		Bridge Rectifiers	1000	15A	KBK
28490	KBK2510		Bridge Rectifiers	1000	25A	KBK
32200	KBP06	CHENG-YI	2.0A 桥式整流器	600V	2.0A	KBP
40687	KBP06		1.5A 桥式整流器	600V	1.5A	KBP
41502	KBP205		2.0A BRIDGE RECTIFIERS	1.1V	2A	RS — 2L
27493	KBP206		2.0A 桥式整流器	600V	2.0A	KBP

