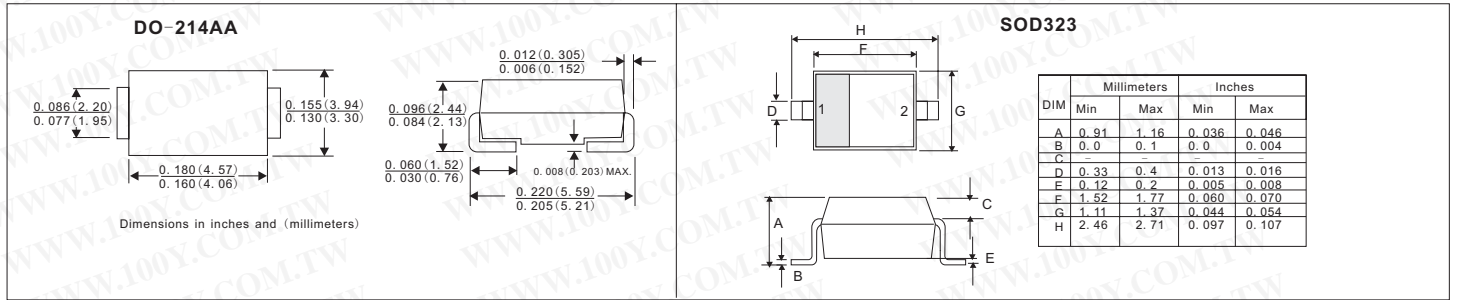
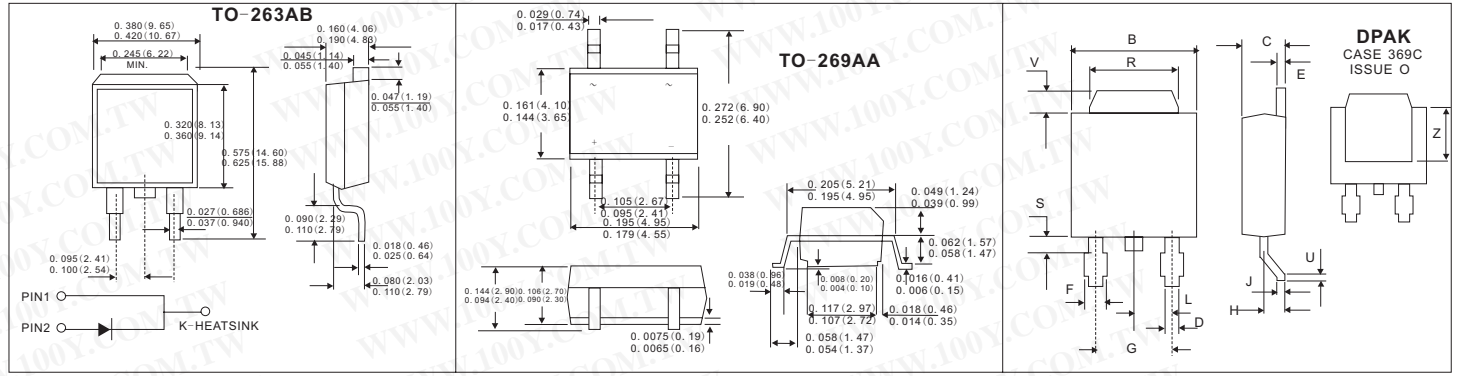


二极管+电晶体+模块

SMD各类二极管

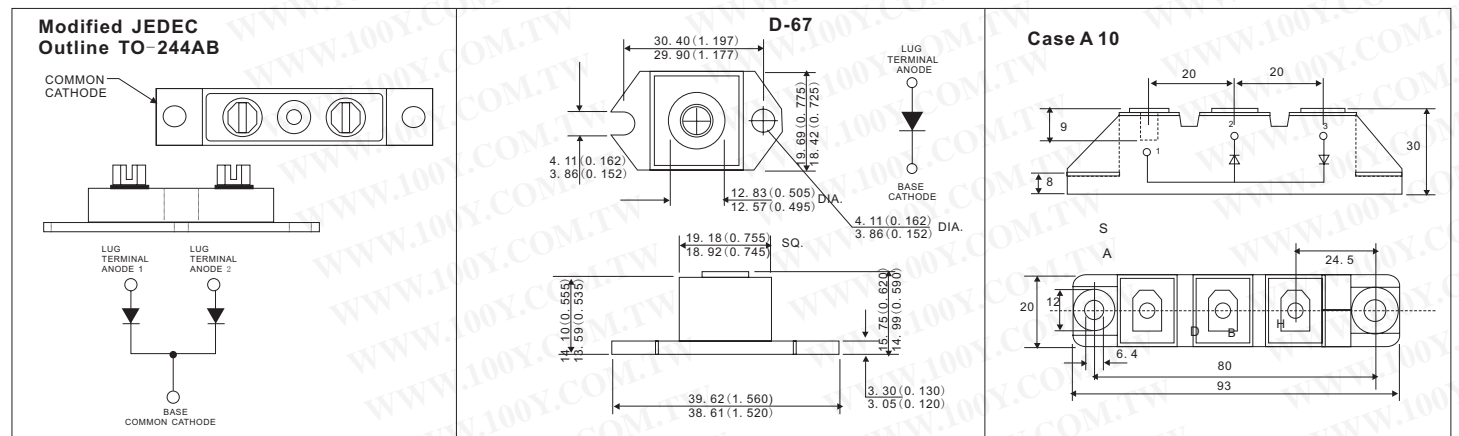
详细产品规格 - 请点击 cn.100y.com.tw



100Y 编号	厂商编号	制造厂商	说明	Pins/Package	V _{rrm}	IF (A)	Marking/ 印记
35044	MB2S	VISHAY	MINIATURE GLASS PASSIVATED SINGLE-PHASE SURFACE MOUNT BRIDGE RECTIFIER	TO-269AA	200V	0.5A	
35045	MB4S	VISHAY	MINIATURE GLASS PASSIVATED SINGLE-PHASE SURFACE MOUNT BRIDGE RECTIFIER	TO-269AA	400V	0.5A	
35046	MB6S	VISHAY	MINIATURE GLASS PASSIVATED SINGLE-PHASE SURFACE MOUNT BRIDGE RECTIFIER	TO-269AA	600V	0.5A	
35078	MBRB1045	VISHAY	SCHOTTKY RECTIFIER	TO-263AB	45V	10.0A	
35082	MBRB1660	VISHAY	SCHOTTKY RECTIFIER	TO-263AB	60V	16.0A	
35083	MBRB2045CT	VISHAY	SCHOTTKY RECTIFIER	TO-263AB	45V	20.0A	
35084	MBRB745	VISHAY					
35085	MBRD835L	ON-Semi.	SWITCHMODE Power Rectifier	DPAK	35V	8.0A	
47299	P1500SC	Teccor	SMD 各类二极管	DO-214AA	140V	2.2A	
34793	S2A	VISHAY	SURFACE MOUNT GLASS PASSIVATED SILICON RECTIFIER	DO-214AA	50V	50Amps	
34794	S2D	VISHAY	SURFACE MOUNT GLASS PASSIVATED SILICON RECTIFIER	DO-214AA	200V	1.5Amps	
34795	S2G	VISHAY	SURFACE MOUNT GLASS PASSIVATED SILICON RECTIFIER	DO-214AA	400v	50Amps	
34796	S2J	VISHAY	SURFACE MOUNT GLASS PASSIVATED SILICON RECTIFIER	DO-214AA	600V	50Amps	
8486	SM4004		Switching Diode	SM-1	400V	1A	
40393	ZMV933A	ZETEX	Silicon 12V hyperabrupt varactor diode	SOD323			AM

二极管模块

详细产品规格 - 请点击 cn.100y.com.tw



100Y 编号	厂商编号	制造厂商	说明	V _{rrm}	I _{av} (A)	Pins/Package
35662	200CNQ040	IR	SCHOTTKY RECTIFIER	40V	200A	TO-244AB
35663	200CNQ045	IR	SCHOTTKY RECTIFIER	45V	200A	TO-244AB
35665	203CNQ080	IR	SCHOTTKY RECTIFIER	80V	200A	TO-244AB
35675	220CNQ030	IR	SCHOTTKY RECTIFIER	30V	220A	TO-244AB
35686	240NQ045	IR	SCHOTTKY RECTIFIER	45V	240A	D-67 HALF-Pak



服务专线: 台湾: 886-3-5753170

传 真: 台湾: 886-3-5753172

E-mail: 台湾: sale@100y.com.tw

深圳: 86-755-83298787

深圳: 86-755-83640655

深圳: 100y@163.com

上海: 86-21-34970699

上海: 86-21-64605107

上海: 100y-1@163.com