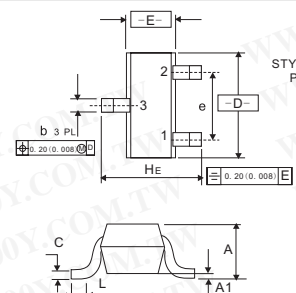


二极管+电晶体+模块

肖特基二极管

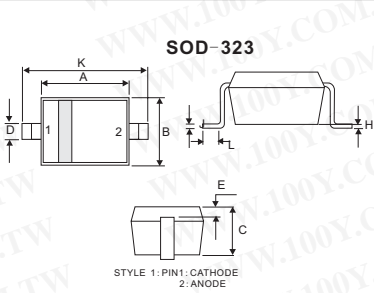
详细产品规格 - 请点击 cn.100y.com.tw



SC-75/SOT-416
PLASTIC PACKAGE
CASE 463-01
ISSUE F

STYLE 3:
PIN 1. ANODE
2. ANODE
3. CATHODE

DIM	MILLIMETERS			INCHES		
	MIN	NOM	MAX	MIN	NOM	MAX
A	0.70	0.80	0.90	0.027	0.031	0.035
A1	0.00	0.05	0.10	0.000	0.002	0.004
b	0.15	0.20	0.30	0.006	0.008	0.012
c	0.10	0.15	0.25	0.004	0.008	0.010
D	1.50	1.60	1.85	0.059	0.063	0.067
E	0.70	0.80	0.90	0.027	0.031	0.035
e	1.00	BSC		0.04	BSC	
L	0.10	0.15	0.20	0.004	0.008	0.008
Hf	1.50	1.60	1.70	0.061	0.063	0.065



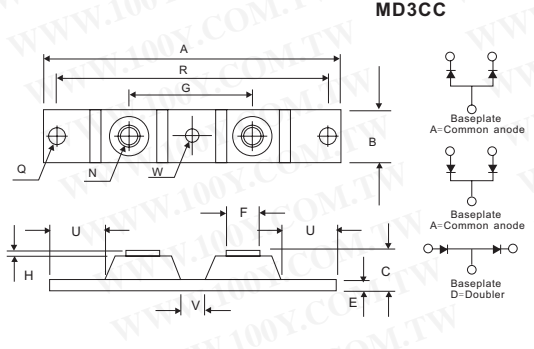
SOD-323

STYLE 1: PIN1: CATHODE
2: ANODE

DIM	INCHES			MILLIMETERS		
	MIN	MAX		MIN	MAX	
A	0.071	0.087	1.80	2.20		
B	0.045	0.053	1.15	1.35		
C	0.032	0.040	0.90	1.00		
D	0.012	0.018	0.30	0.40		
G	0.047	0.055	1.20	1.40		
H	0.000	0.004	0.00	0.10		
J	0.004	0.010	0.10	0.25		
K	0.017	REF		0.425	REF	
L	0.028	BSC		0.650	BSC	
N	0.028	REF		0.700	REF	
S	0.079	0.095	2.00	2.40		

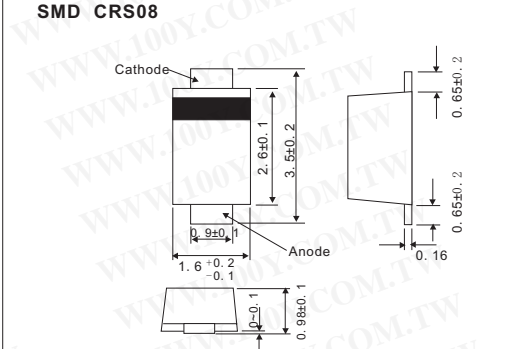
100Y 编号	厂商编号	制造厂商	说明	Pins/Package	Vrrm	IF (A)	Marking/ 印 记
41816	BAT54CTT1G	ON-Semi.	Dual Series Schottky Barrier Diodes	SC-75	30V	0.2A	
32400	BAT54CW	PHILIPS	Schottky barrier (double) diodes	SOT323	30V	200mA	43
41819	BAT54CWT1G	ON-Semi.	Dual Series Schottky Barrier Diodes	SOT-323	30V	200mA	
41821	BAT54HT1	ON-Semi.	Schottky barrier (double) diodes	SOD-323	30V	0.2A	
41827	BAT54WT1G	ON-Semi.	30 VOLTSCHOTTKY BARRIERDETECTOR AND SWITCHINGDIODE	SOT-323	30V	0.2A	
42562	RB751V40T1	ON-Semi.	Small Signal SOD323 Schottky	SOD-323	30V		
42442	MMBD717LT1	ON-Semi.	20 VOLT Schottky Barrier Diodes	SOT-323 (SC-70)	20VOLT	1 mAdc	
42475	NSR0320MW2T1G	ON-Semi.	Small Signal Schottky, Single	SOD323			

MD3CC

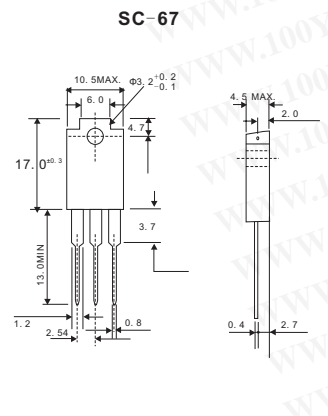


Dim.	Inches		Millimeters		Notes
	Min	Max	Min	Max	
A	---	3.630	---	92.20	
B	0.700	0.800	17.78	20.32	
C	---	0.630	---	16.00	
E	0.120	0.130	3.05	3.30	
F	0.490	0.510	12.45	12.95	
G	1.375	BSC	34.92	BSC	
H	0.010	---	0.25	---	
N	0.275	0.290	6.99	7.37	1/4-20
Q	3.150	BSC	80.01	BSC	Dia.
U	0.600	---	15.24	---	
V	0.312	0.340	7.92	8.64	
W	0.180	0.195	4.57	4.95	Dia.

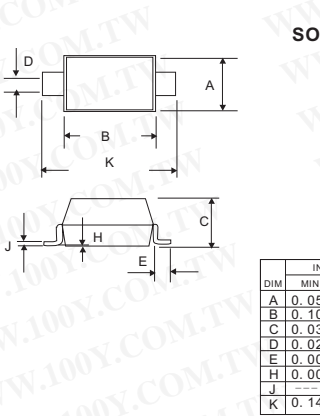
SMD CRS08



SC-67

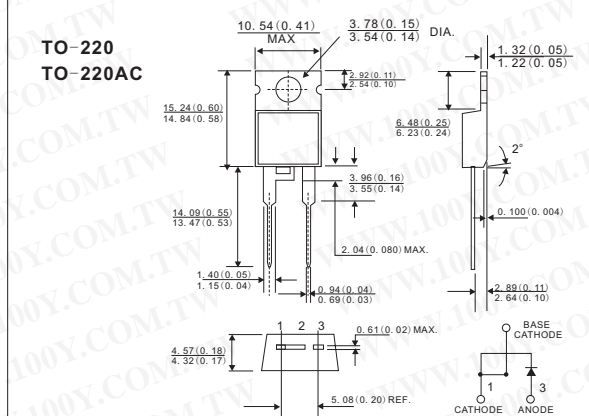


SOD-123



DIM	INCHES		MILLIMETERS	
	MIN	MAX	MIN	MAX
A	0.055	0.071	1.40	1.80
B	0.100	0.112	2.55	2.85
C	0.037	0.053	0.95	1.35
D	0.020	0.028	0.50	0.70
E	0.004	---	0.25	---
H	0.000	0.004	0.00	0.10
J	---	0.006	---	0.15
K	0.140	0.152	3.55	3.85

TO-220 TO-220AC



100Y 编号	厂商编号	制造厂商	说明	Pins/Package	Vrrm	IF (A)	Marking/ 印 记
32159	CPT30050	Micro-semi	Schottky PowerMod	MD3CC	50V	300A	
41136	CRS08	TOSHIBA	TOSHIBA Schottky Barrier Rectifier Schottky Barrier Type	SMD	30V	1.5A	
38540	ESAC82M-004	Fuji Elect	SCHOTTKY BARRIER DIODE	SC-67	40V	10A	
41921	MBR0520LT1G	ON-Semi.	0.5A 20V Schottky Rectifier	SOD-123	20V	0.5A	
17015	MBR0530T1	ON-Semi.	Schottky Power Rectifier	SOD-123	30V	0.5A	
20155	MBR0540T1	ON-Semi.	Surface Mount Schottky Power Rectifier	SOD-123	40V	0.5A	
41922	MBR120LSFT1G	ON-Semi.	1A 20V Schottky Rectifier	SOD-123	20V	1A	
39595	MBR130T1	ON-Semi.	ON_Surface Mount Schottky Power Rectifier	SOD-123	30V	1A	S3
41924	MBR140SFT1G	ON-Semi.	1A 40V Schottky Rectifier	SOD-123	40V	1A	
35057	MBR1645	IR	SCHOTTKY RECTIFIER	2P/TO-220AC	45V	16A	
23780	MBR1645CT	Fairchild	Schottky Barrier Rectifier(=PBYR1645)	3P/TO-220	45V	16A	