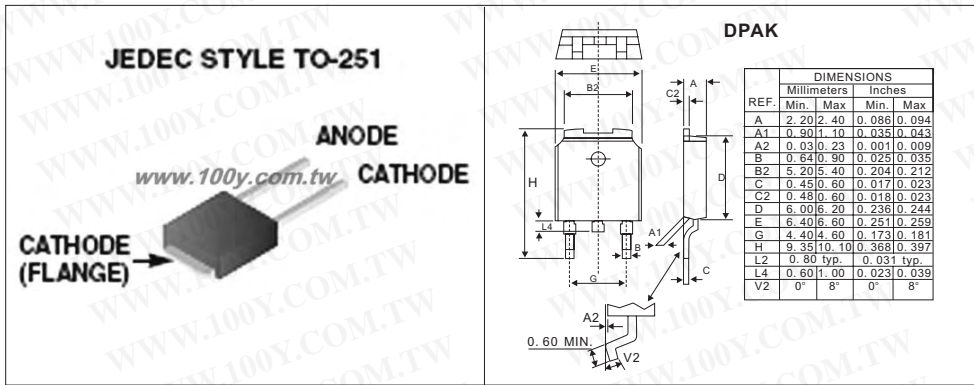


二极管+电晶体+模块

DACO 肖特基二极管

详细产品规格 - 请点击 cn.100y.com.tw

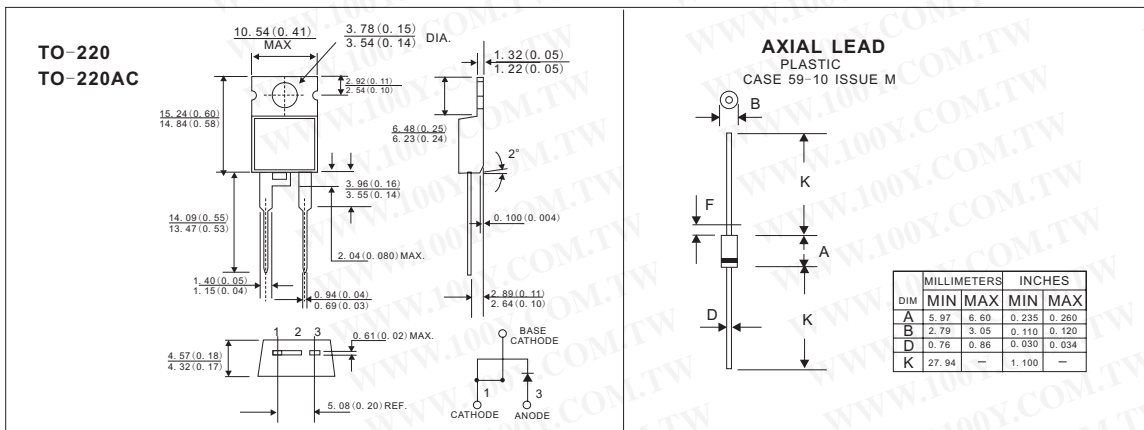
100Y 编号	厂商编号	制造厂商	说明	Vrrm	Io (A)	Pins/Package
25919	SRF750	DACO	DACO_SCHOTTLY BARRIER	50	7.5	ITO-220AC
25920	SRF760	DACO	DACO_SCHOTTLY BARRIER	60	7.5	ITO-220AC
25928	SRF7H20	DACO	DACO_SCHOTTLY BARRIER	20	7.5	ITO-220AC
25929	SRF7H30	DACO	DACO_SCHOTTLY BARRIER	30	7.5	ITO-220AC
25957	SRLF1020	DACO	DACO_SCHOTTLY BARRIER	20	10	ITO-220AC
25958	SRLF1030	DACO	DACO_SCHOTTLY BARRIER	30	10	ITO-220AC
26167	SRLF1030CT	DACO	DACO_SCHOTTLY BARRIER	30	10	ITO-220AB
25959	SRLF1040	DACO	DACO_SCHOTTLY BARRIER	40	10	ITO-220AC
26171	SRLF1040CT	DACO	DACO_SCHOTTLY BARRIER	40	10	ITO-220AB
25952	SRLF10L25	DACO	DACO_SCHOTTLY BARRIER	25	10	ITO-220AC
25953	SRLF10L30	DACO	DACO_SCHOTTLY BARRIER	30	10	ITO-220AC
26267	SRLF2020CT	DACO	DACO_SCHOTTLY BARRIER	20	20	ITO-220AB
26268	SRLF2030CT	DACO	DACO_SCHOTTLY BARRIER	30	20	ITO-220AB
26269	SRLF2040CT	DACO	DACO_SCHOTTLY BARRIER	40	20	ITO-220AB
26158	SRLF20L15	DACO	DACO_SCHOTTLY BARRIER	15Vrrm	20A	ITO-220AC
26324	SRLF25L20CT	DACO	DACO_SCHOTTLY BARRIER	20	25	ITO-220AB
26325	SRLF25L25CT	DACO	DACO_SCHOTTLY BARRIER	25	25	ITO-220AB
26326	SRLF25L30CT	DACO	DACO_SCHOTTLY BARRIER	30	25	ITO-220AB
25976	SRF10100	DACO	DACO_SCHOTTLY BARRIER	100	10	ITO-220AB



100Y 编号	厂商编号	制造厂商	说明	Vrrm	Io (A)	Pins/Package	Marking/ 印记
34682	RHRD460	Fairchild	4A, 400V - 600V Hyperfast Diodes	600V	0.5mA	TO-251	
34711	RURD4120	Intersil	4A, 1200V Ultrafast Diodes	1200V	0.5mA	TO-251	
34712	RURD420	Intersil	4A, 200V Ultrafast Diodes	200V	0.5mA	TO-251	
41400	STPS15L60CB-TR	ST(SGS)	POWER SCHOTTKY RECTIFIER	60v	2*7.5A	DPAK	S15L60C

肖特基二极管

详细产品规格 - 请点击 cn.100y.com.tw



100Y 编号	厂商编号	制造厂商	说明	Pins/Package	Vrrm	IF (A)
35539	19TQ015	IR	SCHOTTKY RECTIFIER	TO-220	15V	19A
35666	20CTQ045	IR	SCHOTTKY RECTIFIER	TO-220	45V	20A
35674	20TQ045	IR	SCHOTTKY RECTIFIER	TO-220AC	45V	19A
41927	MBR20100CTG	ON-Semi.	20A 100V Schottky Rectifier	TO-220	100V	20A
41928	MBR2535CTG	ON-Semi.	25A 35V Schottky Rectifier	TO-220	35V	25A
41930	MBR2545CTG	ON-Semi.	SWITCHMODE Power Rectifiers	TO-220	45V	25A
35654	30CTQ060	IR	SCHOTTKY RECTIFIER	TO-220	60V	30A



服务专线: 台湾: 886-3-5753170
 传真: 台湾: 886-3-5753172
 E-mail: 台湾: sale@100y.com.tw

深圳: 86-755-83298787
 深圳: 86-755-83640655
 深圳: 100y@163.com

上海: 86-21-34970699
 上海: 86-21-64605107
 上海: 100y-1@163.com