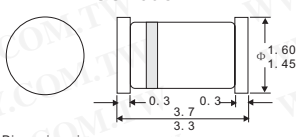


二极管+电晶体+模块

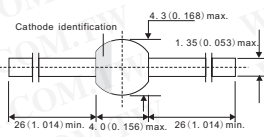
Switching 二极管

详细产品规格 - 请点击 cn.100y.com.tw



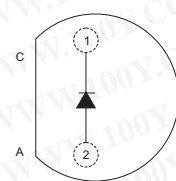
SOD80C

Dimensions in mm

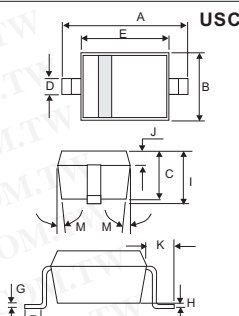


SOD-64

Cathode identification

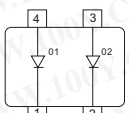


TO-226AA (TO-92) Modified

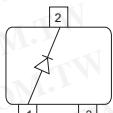


USC

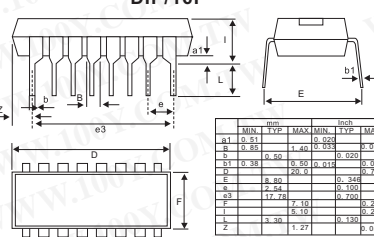
DIM	MILLIMETERS
A	2.50±0.1
B	1.25±0.05
C	0.90±0.05
D	0.30-0.06/-0.04
E	1.70±0.05
F	MIN 0.17
G	0.12±0.03
H	0-0.1
I	1.0 MAX
J	0.15±0.05
K	0.4±0.05
L	2*4/-2
M	4-6*



SOT143

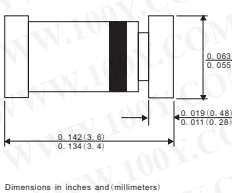


SOT23



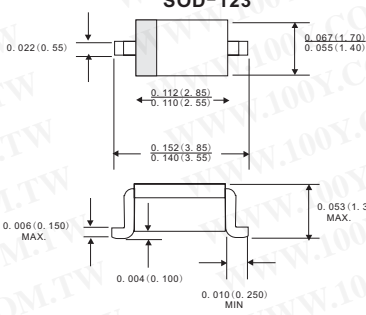
DIP/16P

DIM	MIN	MAX	MIN	MAX
A1	0.51	0.53	0.020	0.020
B	0.55	0.56	0.020	0.020
C	0.38	0.50	0.014	0.020
D	18.80	20.0	0.740	0.789
E	2.54	0.100	0.100	0.250
F	17.78	0.100	0.250	0.250
G	1.50	0.130	0.250	0.250
L	1.50	0.130	0.130	0.050
Z	1.27	0.050		



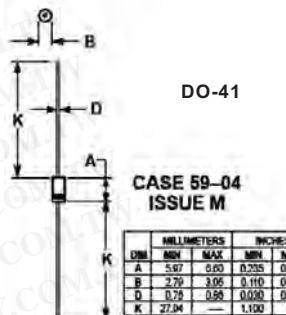
SOD-80C

Dimensions in inches and (millimeters)



SOD-123

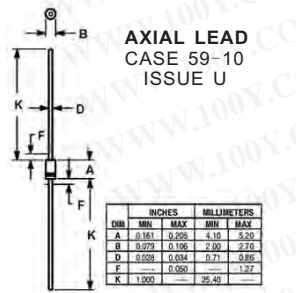
Dimensions in inches and (millimeters)



DO-41

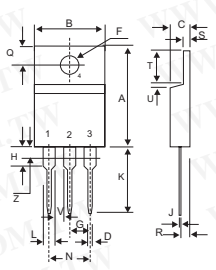
CASE 59-04
ISSUE M

DIM	MILLIMETERS		INCHES	
	MIN	MAX	MIN	MAX
A	5.67	6.00	0.225	0.236
B	2.70	3.05	0.110	0.120
D	0.75	0.88	0.030	0.034
K	27.94	—	1.100	—



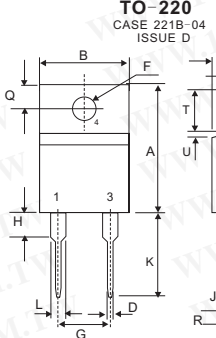
**AXIAL LEAD
CASE 59-10
ISSUE U**

DIM	INCHES		MILLIMETERS	
	MIN	MAX	MIN	MAX
A	0.161	0.200	4.10	5.20
B	0.070	0.106	2.60	2.70
D	0.020	0.034	0.71	0.85
F	—	0.050	—	1.27
K	1.000	—	25.40	—



**TO-220 THREE-LEAD
TO-220AB**

DIM	INCHES		MILLIMETERS	
	MIN	MAX	MIN	MAX
A	0.570	0.620	14.48	15.75
B	0.380	0.405	9.65	10.28
C	0.160	0.180	4.07	4.82
D	0.025	0.035	0.64	0.88
F	0.142	0.147	3.61	3.74
G	0.095	0.105	2.42	2.66
H	0.110	0.155	2.80	3.93
J	0.018	0.025	0.46	0.64
K	0.500	0.562	12.70	14.27
L	0.045	0.060	1.15	1.52
N	0.190	0.210	4.83	5.35
Q	0.100	0.120	2.54	3.04
R	0.080	0.110	2.04	2.79
S	0.045	0.055	1.15	1.39
T	0.235	0.255	5.97	6.47
U	0.000	0.050	0.00	1.27
V	0.045	—	1.15	—
Z	—	0.080	—	2.04



**TO-220
CASE 221B-04
ISSUE D**

DIM	Inches		Millimeters	
	MIN	MAX	MIN	MAX
A	0.595	0.620	15.11	15.75
B	0.380	0.405	9.65	10.29
C	0.160	0.190	4.06	4.82
D	0.025	0.035	0.64	0.89
F	0.142	0.147	3.61	3.73
G	0.190	0.210	4.83	5.33
H	0.110	0.130	2.79	3.30
J	0.018	0.025	0.46	0.64
K	0.500	0.562	12.70	14.27
L	0.045	0.060	1.14	1.52
Q	0.100	0.120	2.54	3.04
R	0.080	0.110	2.04	2.79
S	0.045	0.055	1.14	1.39
T	0.235	0.255	5.97	6.47
U	0.000	0.050	0.00	1.27

100Y 编号	厂商编号	制造厂商	说明	Package	Vrrm	IF (A)	Marking/ 印记
32384	BAS28	Infineon	Silicon Switching Diode	SOT143	85v	200mA	
32385	BAS32L	PHILIPS	High-speed diode	SOD80C	75V	200mA	
32389	BAT15-099	Infineon	Silicon Schottky Diodes	SOT143		110mA	S5s
32402	BAT62	Infineon	Silicon Schottky Diode	SOT143	40v	20mA	62s
39470	BYT56J	VISHAY	Fast Avalanche Sinterglass Diode	SOD-64	600V	3A	
34470	JPAD5	VISHAY	Low-Leakage Pico-Amp Diodes	TO-226AA (TO-92)	20V	10mA	
41406	KDS135	KEC	High Voltage Switching.	USC	300V	300MA	JP
22651	LL4148	DACO	HIGH SPEED SWITCHING DIODE	SOD-80C	100V	200mA	
31902	L6210	ST(SGS)	DUAL SCHOTTKY DIODE BRIDGE	DIP/16P	50V	2A	
17078	MAD1108P	Micro-semi	Switching Diode Array	16P-DIP	50V	200mA	
42259	MMSD4148T1	ON-Semi.	Small Signal SOD123 Switch Diode	SOD-123	100V	5A	
42261	MMSD914T1G	ON-Semi.	Switch Diode	SOD-123	100V	5A	
29392	MUR120	MOTOROLA	MOTOROLA Switchmode Power Rectifier		200V	1.0A	
22741	MUR120	ON-Semi.	SWITCHMODE Power Rectifiers		200V	1.0A	
42348	MUR120G	ON-Semi.	SWITCHMODE Power Rectifiers	Axial Lead	200V	1A	
35506	MUR160	ON-Semi.	SWITCHMODE Power Rectifiers	AXIAL LEAD	600V	1.0A	
32439	MUR1660CT	ON-Semi.	SWITCHMODE Power Rectifiers	TO-220	600V	8A	U16xx
42352	MUR260RL	ON-Semi.	Ultrafast Rectifier	Axial Lead	600V	2A	
32450	MUR8100E	ON-Semi.	SWITCHMODEE Power Rectifiers	TO-220	1000V	8A	U8100E
32452	MUR860G	ON-Semi.	SWITCHMODE Power Rectifiers	TO-220	600V	8A	
32455	MUR880E	ON-Semi.	SWITCHMODE Power Rectifiers	TO-220	800V	8A	U880E
41880	DAN222T1	ON-Semi.	Common Cathode SiliconDual Switching Diode	SC-75	80V	0.1A	
40105	L6206N	ST(SGS)	DUAL SCHOTTKY DIODE BRIDGE	24P/DIP	60V	2.8A	