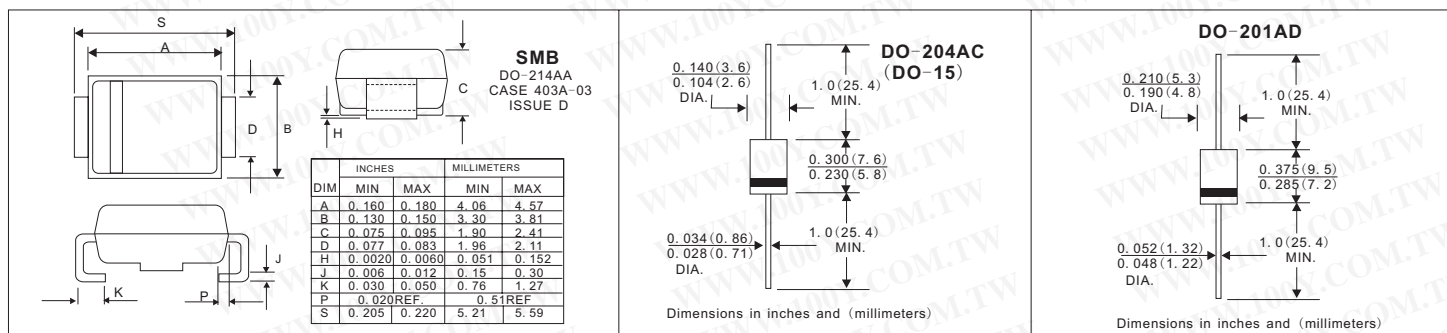
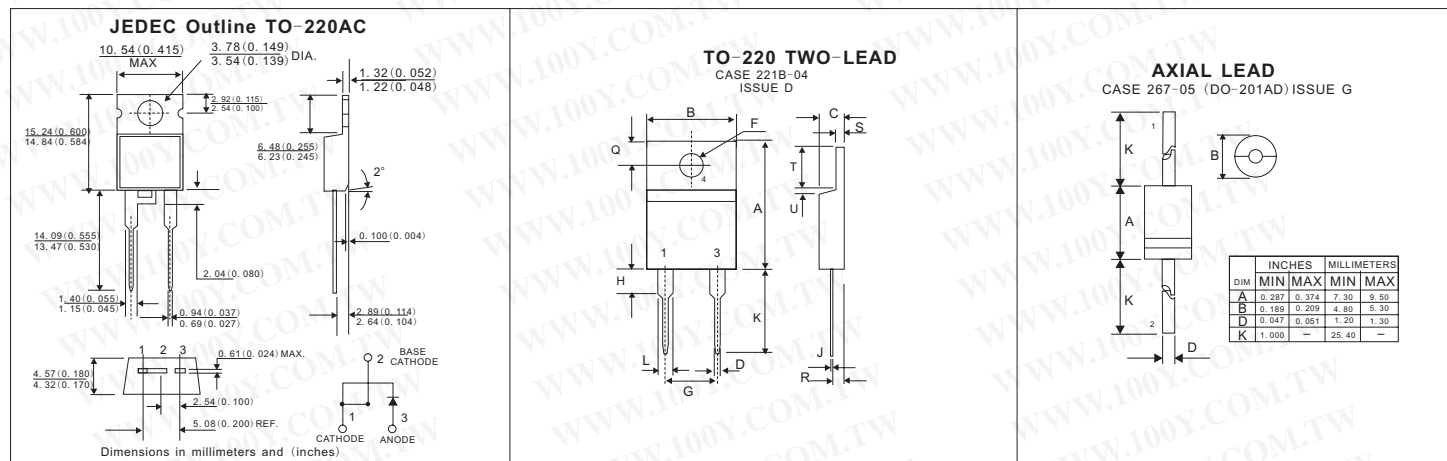
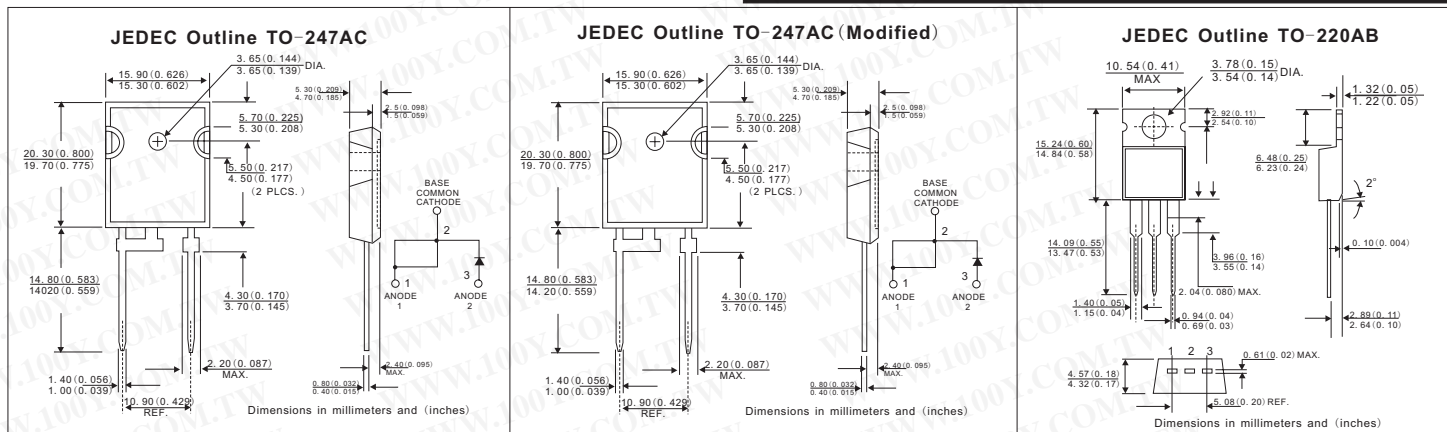


二极管+电晶体+模块

超快速回复二极管

详细产品规格 - 请点击 cn.100y.com.tw



100Y 编号	厂商编号	制造厂商	说明	Pins/Package	V _{rrm}	IF (A)	T _{rr} (nS)
33479	HFA16TB120	IR	Ultrafast, Soft Recovery Diode	TO-220AC	1200V	16A	30ns
33480	HFA25PB60	IR	Ultrafast, Soft Recovery Diode	TO-247AC (Modified)	600V	25A	23ns
33483	HFA30PA60C	IR	Ultrafast Soft Recovery Diode	TO-247AC	600V	15A	19ns
45008	HFA30PA60CPBF	IR	超快速回复二极管	TO-247AC	600V	15A	19ns
33486	HFA30PB120	IR	Ultrafast, Soft Recovery Diode	TO-247AC (Modified)	1200V	30A	47ns
33484	HFA30TA60C	IR	Ultrafast, Soft Recovery Diode	TO-220AB	600V	15A	19ns
33485	HFA50PA60C	IR	Ultrafast, Soft Recovery Diode	TO-247AC	600V	25A	23ns
31937	MUR1560CT	ON-Semi.	Ultrafast Rectifier	2P/TO-220	600V	15A	60nS
35507	MURS160T3	ON-Semi.	Surface Mount Ultrafast Power Rectifier	SMB	600V	1.0A	75ns
28985	RHRP1560		15A, 400V - 600V 超快速回复二极管	TO-220AC	600V		
14531	RURP860	Intersil	Ultrafast Diodes Switchmode	2P/TO-220	600V	8A	60ns
28310	RURP860	Fairchild	超快速回复二极管	2P/TO-220	600V	8A	60ns
34821	SBYV27-100	VISHAY	Soft Recovery Ultrafast Plastic Rectifier	DO-204AC	100V	2A	15ns
34822	SBYV27-150	VISHAY	Soft Recovery Ultrafast Plastic Rectifier	DO-204AC	150V	2A	15ns
34843	SBYV27-200	VISHAY	Soft Recovery Ultrafast Plastic Rectifier	DO-204AC	200V	2A	15ns
34845	SBYV27-50	VISHAY	Soft Recovery Ultrafast Plastic Rectifier	DO-204AC	50V	2A	15ns
34846	SBYV28-100	VISHAY	Soft Recovery Ultrafast Plastic Rectifier	DO-201AD	100V	3.5A	20ns
34849	SBYV28-150	VISHAY	Soft Recovery Ultrafast Plastic Rectifier	DO-201AD	150V	3.5A	20ns
34850	SBYV28-200	VISHAY	Soft Recovery Ultrafast Plastic Rectifier	DO-201AD	200V	3.5A	20ns
34851	SBYV28-50	VISHAY	Soft Recovery Ultrafast Plastic Rectifier	DO-201AD	50V	3.5A	20ns
41659	STPR1620CT	ST(SGS)	ULTRA-FAST RECOVERY RECTIFIER DIODES	TO-220AB	200V	16A	30nS