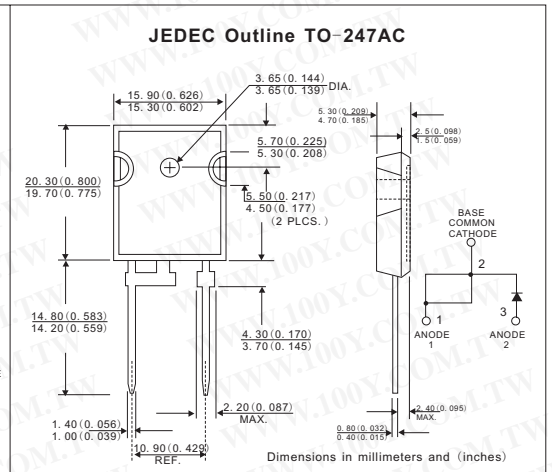
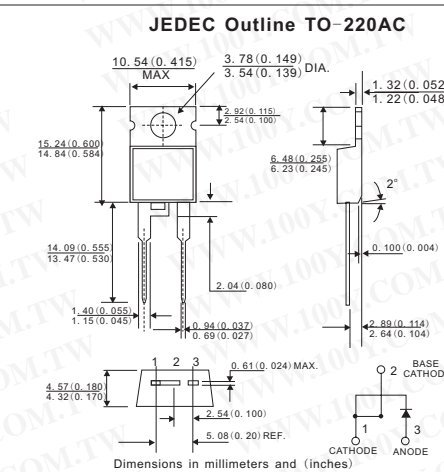
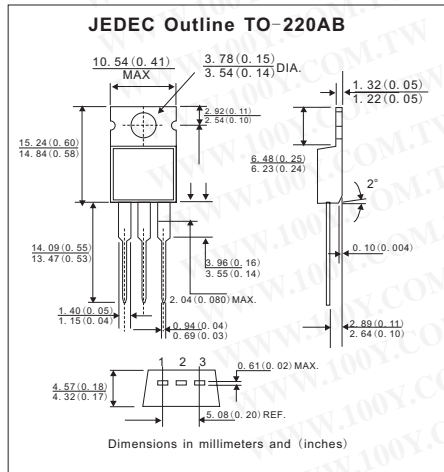
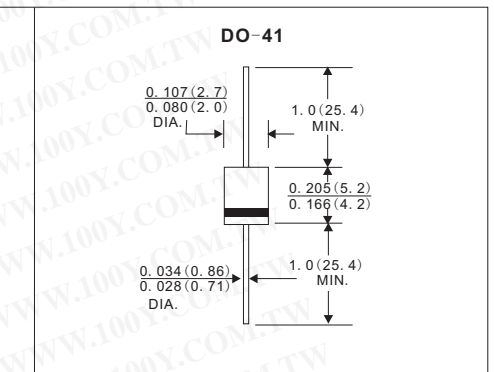
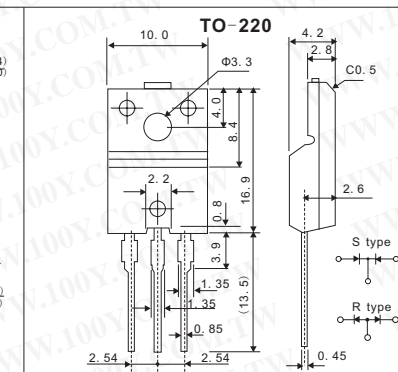
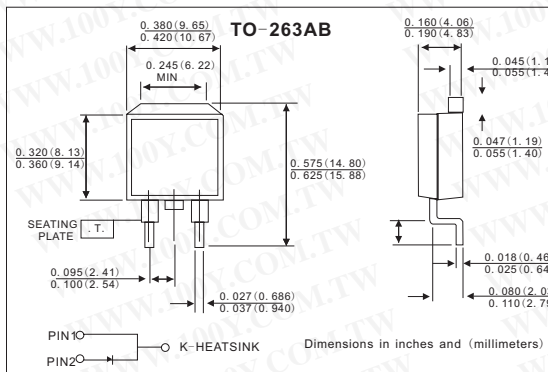
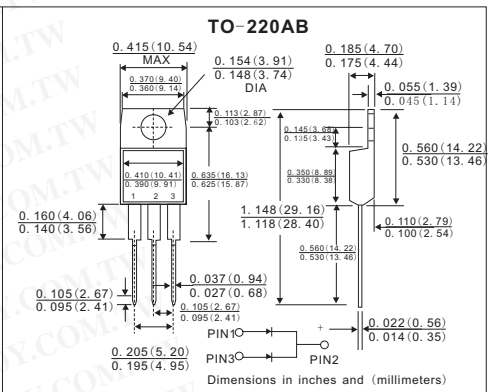
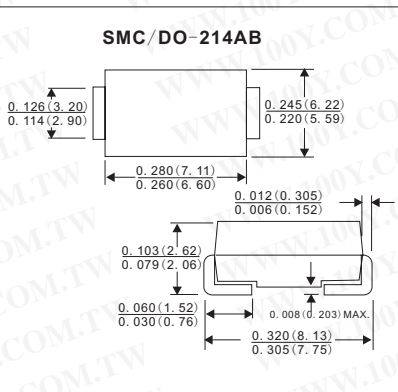
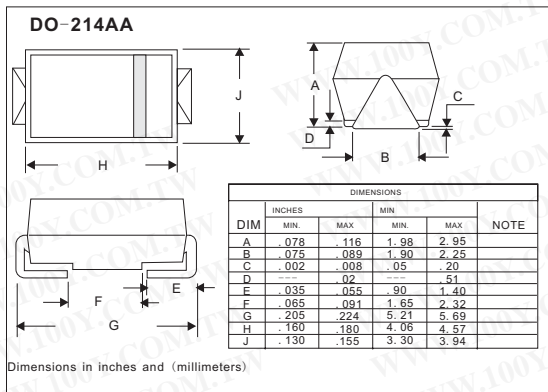


二极管+电晶体+模块

超快速回复二极管

详细产品规格 - 请点击 cn.100y.com.tw



100Y 编号	厂商编号	制造厂商	说明	Pins/Package	Vrrm	IF (A)	Trr (nS)
36443	ER1J		MCC_SUPER-FAST RECOVERY RECTIFIER	DO-214AA	600	1.0	60
33120	ES2A	VISHAY	SURFACE MOUNT FAST EFFICIENT PLASTIC RECTIFIER	DO-214AA	50.00V	2.00A	20.0nS
33121	ES2B	VISHAY	SURFACE MOUNT FAST EFFICIENT PLASTIC RECTIFIER	DO-214AA	100.00V	2.00A	20.0nS
33122	ES2C	VISHAY	SURFACE MOUNT FAST EFFICIENT PLASTIC RECTIFIER	DO-214AA	150.00V	2.00A	20.0nS
33123	ES2D	VISHAY	SURFACE MOUNT FAST EFFICIENT PLASTIC RECTIFIER	DO-214AA	200.00V	2.00A	20.0nS
33124	ES3D	VISHAY	SURFACE MOUNT ULTRAFast EFFICIENT PLASTIC RECTIFIER	DO-214AB	200.00V	3.00A	20.0nS
33131	FEP16BT	VISHAY	FAST EFFICIENT PLASTIC RECTIFIER	TO-220AB	100V	16.0A	35.0nS
33134	FEP16DT	VISHAY	FAST EFFICIENT PLASTIC RECTIFIER	TO-220AB	200V	16.0A	35.0nS
33135	FEP16GT	VISHAY	FAST EFFICIENT PLASTIC RECTIFIER	TO-220AB	400V	16.0A	50.0nS
33136	FEP16JT	VISHAY	FAST EFFICIENT PLASTIC RECTIFIER	TO-220AB	600V	16.0A	50.0nS
33137	FESB16JT	VISHAY	FAST EFFICIENT PLASTIC RECTIFIER	TO-263AB	600V	16.0A	50.0nS
48593	FMX-12S		Ultra-Fast-Recovery Rectifier Diodes	TO-220	200V	5.0A	30nS
39920	HER105		高效率二极管	DO-41	400V	1.0A	50nS
33462	HFA08TA60C	IR	Ultrafast, Soft Recovery Diode	TO-220AB	600V	8.0A	17ns
13408	HFA08TB120	IR	Ultrafast, Soft Recovery Diode	TO-220AC	1200V	8.0A	28ns
20234	HFA08TB60	IR	Ultrafast, Soft Recovery Diode	2P/TO-220AC	600V	8A	18ns
42813	HFA08TB60PBF	IR	Ultrafast, Soft Recovery Diode	TO-220AC	600V	8A	18ns
33471	HFA15PB60	IR	Ultrafast, Soft Recovery Diode	TO-247AC (Modified)	600V	15A	19ns
33475	HFA16PA60C	IR	Ultrafast, Soft Recovery Diode	TO-247AC	600V	8.0A	18ns
33476	HFA16PB120	IR	Ultrafast, Soft Recovery Diode HEXFRED	TO-247AC (Modified)	1200V	16A	30ns
33477	HFA16TA60C	IR	Ultrafast, Soft Recovery Diode	TO-220AB	600V	8.0A	18ns



服务专线: 台湾: 886-3-5753170
 传 真: 台湾: 886-3-5753172
 E-mail: 台湾: sale@100y.com.tw

深圳: 86-755-83298787
 深圳: 86-755-83640655
 深圳: 100y@163.com

上海: 86-21-34970699
 上海: 86-21-64605107
 上海: 100y-1@163.com