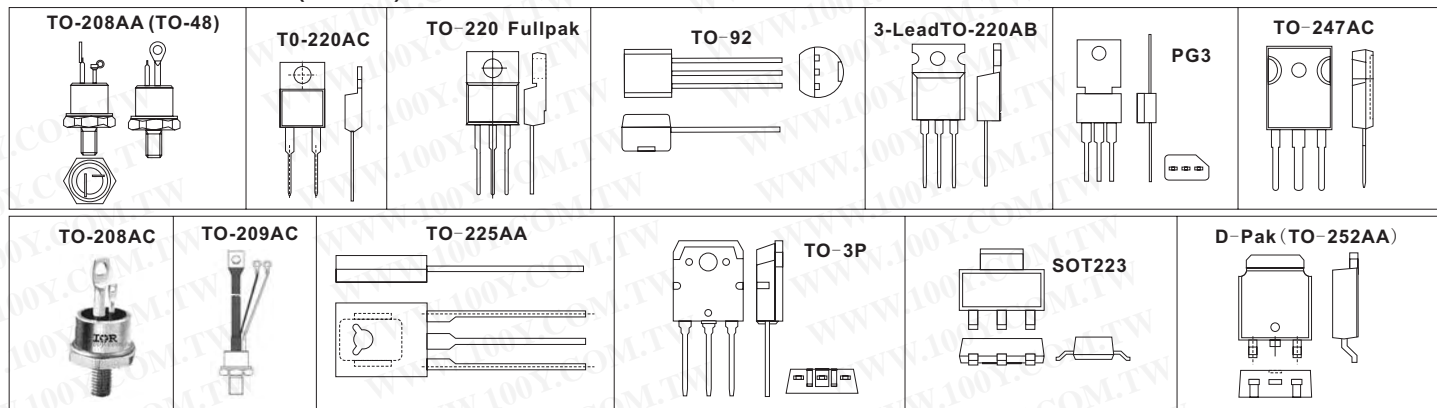


二极管+电晶体+模块

矽控制整流晶体(SCR)
矽控制整流晶体(SCR)

详细产品规格 - 请点击 cn.100y.com.tw



100Y 编号	厂商编号	制造厂商	说明	Vdrm/V	It rms/A	Package
35603	16RIA120	IR	MEDIUM POWER THYRISTORS	1600V	35A	TO-208AA (TO-48)
35606	16RIA60	IR	MEDIUM POWER THYRISTORS	600V	35A	TO-208AA (TO-48)
35610	16RIA80	IR	MEDIUM POWER THYRISTORS	800V	35A	TO-208AA (TO-48)
35677	22RIA120	IR	MEDIUM POWER THYRISTOR	1200V	35A	TO-208AA (TO-48)
35682	22RIA60	IR	MEDIUM POWER THYRISTOR	600V	35A	TO-208AA (TO-48)
35683	22RIA80	IR	MEDIUM POWER THYRISTOR	800V	35A	TO-208AA (TO-48)
35707	25RIA120	IR	MEDIUM POWER THYRISTORS	1200V	40A	TO-208AA (TO-48)
35708	25RIA80	IR	MEDIUM POWER THYRISTORS	800V	40A	TO-208AA (TO-48)
35710	25TTS08	IR	PHASE CONTROL SCR	800V	25A	TO-220AC
35712	25TTS08FP	IR	PHASE CONTROL SCR	800V	25A	TO-220 FULLPAK
35711	25TTS12	IR	PHASE CONTROL SCR	1200V	25A	TO-220AC
43057	2N2324	Micro-semi	SILICON CONTROLLED RECTIFIER	150Vrm		TO-5
35780	2N5060	ON-Semi.	Sensitive Gate Silicon Controlled Rectifier	30V	0.8A	TO-92
41799	2N5060RLRM	ON-Semi.	Sensitive Gate Silicon Controlled Rectifier	30V	0.8A	TO-92
35782	2N5061	ON-Semi.	Sensitive Gate Silicon Controlled Rectifier	60V	0.8A	TO-92
7611	2N5064		Thyristor sensitive gate(SCR)	200V	0.8A	3P/TO-92
41801	2N5064RLRMG	ON-Semi.	Thyristor sensitive gate 无铅	200V	0.8A	3P/TO-92
41640	2N6394	ON-Semi.	Silicon Controlled Rectifiers	50V	12A	TO-220AB
41804	2N6394G	ON-Semi.	Silicon Controlled Rectifier(无铅)	50V	12A	TO-220AB
35800	2N6397	ON-Semi.	Silicon Controlled Rectifiers	400V	12.0A	TO-220AB
13568	2N6402	ON-Semi.	Silicon Controlled Rectifiers	200V	16A	3P/TO-220
35809	2N6507	ON-Semi.	Silicon Controlled Rectifiers	400V	25A	3P/TO-220AB
35810	2N6509	ON-Semi.	Silicon Controlled Rectifier	800V	25A	3P/TO-220AB
15574	2P4M	NEC	Mixed Signal SCR	400V	2A	PG3
35659	30TPS08	IR	PHASE CONTROL SCR	800V	300A	TO-247AC
35661	30TPS12	IR	PHASE CONTROL SCR	1200V	300A	TO-247AC
35839	40TPS08	IR	PHASE CONTROL SCR	800V	500A	TO-247AC
35838	40TPS12	IR	PHASE CONTROL SCR	1200V	500A	TO-247AC
35787	50RIA100	IR	MEDIUM POWER THYRISTORS	1000V	50A	TO-208AC
35785	50RIA120	IR	MEDIUM POWER THYRISTORS	1200V	50A	TO-208AC
35788	50RIA160	IR	MEDIUM POWER THYRISTORS	1600V	50A	TO-208AC
35789	50RIA60	IR	MEDIUM POWER THYRISTORS	600V	50A	TO-208AC
16118	5P4M	NEC	THYRISTOR	400V	2.5A	3P/TO-220
36193	80RIA120	IR	PHASE CONTROL THYRISTOR	1200V	80A	TO-209AC
36191	80RIA40	IR	PHASE CONTROL THYRISTOR	400V	80A	TO-209AC
36186	80RIA80	IR	PHASE CONTROL THYRISTOR	800V	80A	TO-209AC
17451	BT151-800R	PHILIPS	Thyristor	800V	12A	3P/TO-220
13605	BT151F-500R	PHILIPS	Thyristor	500V	9A	3P/TO-220
29182	BT152-400R	PHILIPS	矽控制整流晶体(SCR)	450V	20A	TO-220
7612	BT169D	PHILIPS	Thyristors logic level(SCR)	400V	0.5A	3P/TO-92
36441	BT258-600R	PHILIPS	Thyristor logic level	600V	8A	3P/TO-220
17531	C106D	ON-Semi.	Silicon Controlled Rectifiers	400V	4A	3P/TO-225AA
32734	C106D1	ON-Semi.	Silicon Controlled Rectifiers	400 V	4 A	3P/TO-225AA
32736	C106M1	ON-Semi.	Silicon Controlled Rectifiers	600 V	4 A	3P/TO-225AA
26477	D6020L	Teccor	Isolated SCR	600V	20A	TO-220AB Isolated
42146	MCR08BT1G	ON-Semi.	Sensiteve Gate Silicon Controlled Rectifier(无铅)	200V	0.8A	SOT-223
16576	MCR100-6	ON-Semi.	Silicon Controlled Rectifiers	400V	0.8A	3PTO-92
42147	MCR100-6RLRM	ON-Semi.	Silicon Controlled Rectifiers	200V	0.8A	3PTO-92
17943	MCR100-8	ON-Semi.	Silicon Controlled Rectifiers	600V	0.8A	TO-92
42149	MCR12LMG	ON-Semi.	Silicon Controlled Rectifiers	600V	12A	TO-220AB
42152	MCR22-6RLRA	ON-Semi.	Sensitive Gate Silicon Controlled Rectifier	400V	1.5A	TO-92
35367	MCR8N	ON-Semi.	Silicon Controlled Rectifier	800V	8.0A	TO-220AB
20227	P0102DA	ST(SGS)	0.8A SCRs	400-600V	0.8A	TO-92(Plastic)



服务专线: 台湾: 886-3-5753170
传 真: 台湾: 886-3-5753172
E-mail: 台湾: sale@100y.com.tw

深圳: 86-755-83298787
深圳: 86-755-83640655
深圳: 100y@163.com

上海: 86-21-34970699
上海: 86-21-64605107
上海: 100y-1@163.com