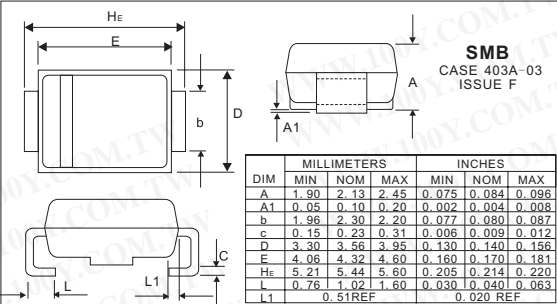


二极管+电晶体+模块

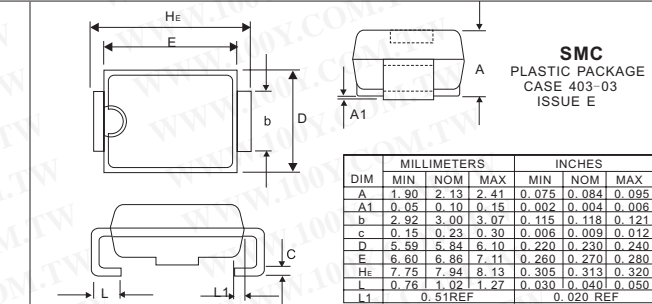
快速回复二极管

详细产品规格 - 请点击 cn.100y.com.tw



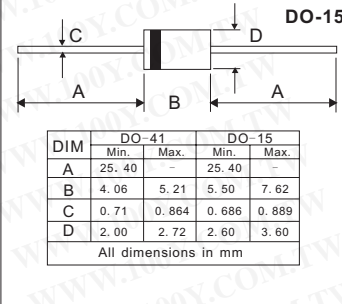
SMB
CASE 403A-03
ISSUE F

DIM	MILLIMETERS			INCHES		
	MIN	NOM	MAX	MIN	NOM	MAX
A	1.90	2.13	2.45	0.075	0.084	0.096
A1	0.05	0.10	0.20	0.002	0.004	0.008
b	1.96	2.30	2.20	0.077	0.080	0.087
c	0.15	0.23	0.31	0.006	0.009	0.012
D	3.30	3.56	3.95	0.130	0.140	0.156
E	4.06	4.32	4.60	0.160	0.170	0.181
He	5.21	5.44	5.60	0.205	0.214	0.220
L	0.76	1.02	1.60	0.030	0.040	0.063
L1	0.51REF			0.020 REF		



SMC
PLASTIC PACKAGE
CASE 403-03
ISSUE E

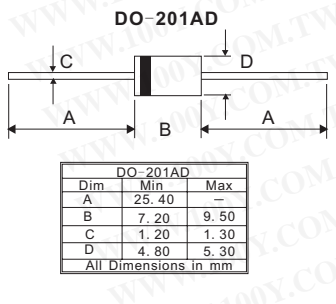
DIM	MILLIMETERS			INCHES		
	MIN	NOM	MAX	MIN	NOM	MAX
A	1.90	2.13	2.41	0.075	0.084	0.095
A1	0.05	0.10	0.15	0.002	0.004	0.006
b	2.92	3.00	3.07	0.115	0.118	0.121
c	0.15	0.23	0.30	0.006	0.009	0.012
D	5.59	5.84	6.10	0.220	0.230	0.240
E	6.60	6.86	7.11	0.260	0.270	0.280
He	7.75	7.94	8.13	0.305	0.313	0.320
L	0.76	1.02	1.27	0.030	0.040	0.050
L1	0.51REF			0.020 REF		



DO-15

DIM	DO-15		DO-15	
	Min.	Max.	Min.	Max.
A	25.40	-	25.40	-
B	4.06	5.21	5.50	7.62
C	0.71	0.864	0.686	0.889
D	2.00	2.72	2.60	3.60

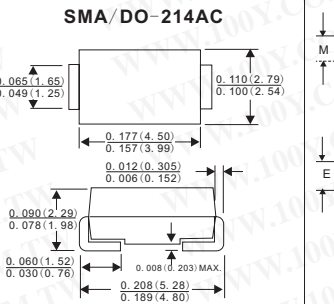
All dimensions in mm



DO-201AD

Dim	Min	Max
A	25.40	-
B	7.20	9.50
C	1.20	1.30
D	4.80	5.30

All Dimensions in mm



SMA/DO-214AC

0.065 (1.65)
0.049 (1.25)

0.177 (4.50)
0.157 (3.99)

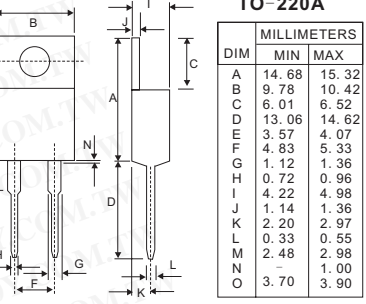
0.110 (2.79)
0.100 (2.54)

0.012 (0.305)
0.006 (0.152)

0.090 (2.29)
0.078 (1.98)

0.060 (1.52)
0.030 (0.76)

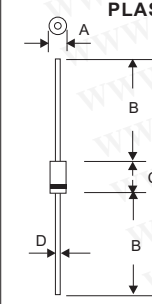
0.008 (0.203) MAX.
0.189 (4.80)



TO-220A

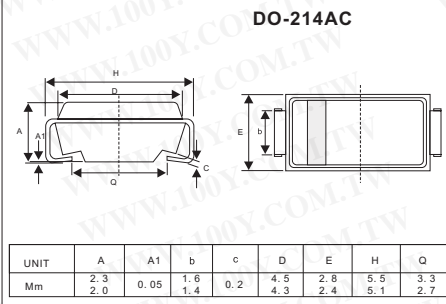
DIM	MILLIMETERS	
	MIN	MAX
A	14.68	15.32
B	9.78	10.42
C	6.01	6.52
D	13.06	14.62
E	3.57	4.07
F	4.83	5.33
G	1.12	1.36
H	0.72	0.96
I	4.22	4.98
J	1.14	1.36
K	2.20	2.97
L	0.33	0.55
M	2.48	2.98
N	-	1.00
O	3.70	3.90

PLASTIC DO41



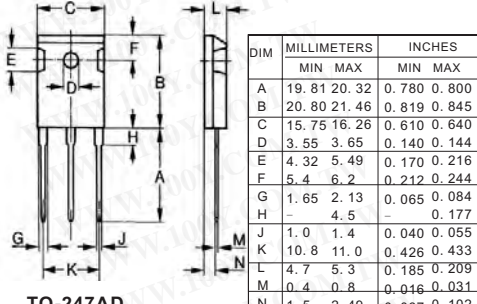
Dim.	inches		Millimeter		Notes
	Minimum	Maximum	Minimum	Maximum	
A	.081	.107	2.057	2.718	Dia.
B	1.10	-	27.94	-	-
C	.160	.205	4.064	5.207	Dia.
D	.028	.034	.711	.864	Dia.

DO-214AC



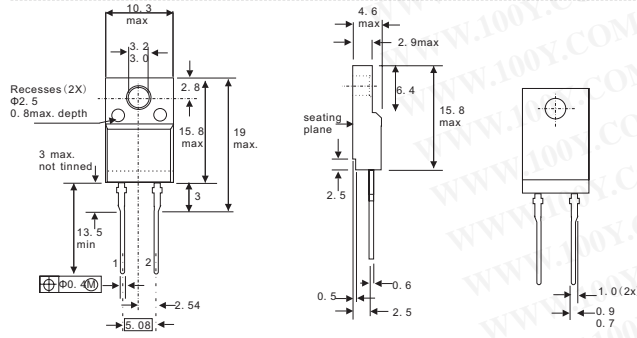
UNIT	A	A1	b	c	D	E	H	Q
Mm	2.3	0.05	1.6	0.2	4.5	2.8	5.5	3.3
	2.0		1.4		4.3	2.4	5.1	2.7

TO-247AD



DIM	MILLIMETERS		INCHES	
	MIN	MAX	MIN	MAX
A	19.81	20.32	0.780	0.800
B	20.80	21.46	0.819	0.845
C	15.75	16.26	0.610	0.640
D	3.55	3.65	0.140	0.144
E	4.32	5.49	0.170	0.216
F	5.4	6.2	0.212	0.244
G	1.65	2.13	0.065	0.084
H	-	4.5	-	0.177
J	1.0	1.4	0.040	0.055
K	10.8	11.0	0.426	0.433
L	4.7	5.3	0.185	0.209
M	0.4	0.8	0.016	0.031
N	1.5	2.49	0.087	0.102

100Y 编号	厂商编号	制造厂商	说明	Pins/Package	Vrrm	IF (A)	Trr (nS)
29162	MUR3080PT		Ultra Fast Recovery Diode	TO-247AD	800V	150A	50-60nS
42360	MURA160T3G	ON-Semi.	SWITCHMODE Power Rectifiers	SMA	600V	1A	
42364	MURS115T3G	ON-Semi.	SWITCHMODE Power Rectifiers	SMB	150V	1A	
42365	MURS120T3	ON-Semi.	SWITCHMODE Power Rectifiers	SMB	200V	1A	
42366	MURS120T3G	ON-Semi.	SWITCHMODE Power Rectifiers	SMB	200V	1A	
42369	MURS160T3G	ON-Semi.	SWITCHMODE Power Rectifiers	SMB	600V	1A	
35508	MURS320T3 3A 200V	ON-Semi.	Surface Mount Ultrafast Power Rectifiers	SMC	200V	3.0A	35ns
8488	PR1504	LITE-ON	fast switching for high efficiency	DO-15	400V	1.5A	150nS
8487	PR3003	LITE-ON	fast switching for high efficiency	DO-201AD	200V	3.0A	150nS
34696	RHRG75120	Fairchild					
24141	RS1D	DACO	DACO_1.0A SMD Fast Recovery Rectifier	DO-214AC	200V	1.0A	150nS
33876	T70HFL20S02	IR	FAST RECOVERY DIODES		200V	70A	70nS
33877	T85HFL100S05	IR	FAST RECOVERY DIODES		1000V	85A	120nS
33872	T85HFL60S02	IR	FAST RECOVERY DIODES		600V	85A	120nS
23139	U08A60R	MOSPEC	Ultra Fast Recovery Rectifier Diode	2P/TO-220A	600V	8.0A	50ns
32834	US1G	PHILIPS	ultra fast low-loss controlled avalanche rectifiers	DO-214AC	400V	1.0A	
32835	US1J	PHILIPS	ultra fast low-loss controlled avalanche rectifiers	DO-214AC	600V	1.0A	75nS
39524	1N5062	PHILIPS	Controlled avalanche rectifiers	DO-41	900V	0.8A	3nS



100Y 编号	厂商编号	制造厂商	说明	Pins/Package	Vrrm	IF (A)	Trr (nS)	Marking/ 印记
49538	BY329X-1200	PHILIPS	飞利浦 Rectifier Diodes fast, soft-recovery	2P/SOD113	1200V	8A	145nS	BY329X-1200