

二极管+电晶体+模块

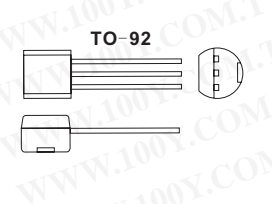

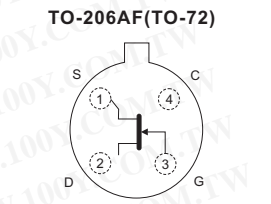
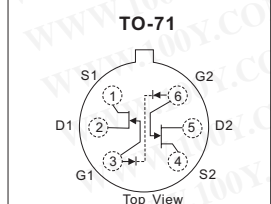
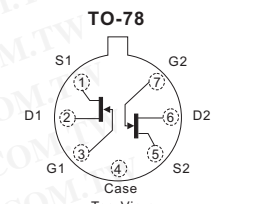
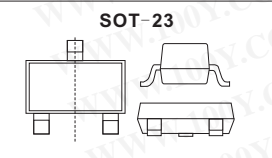
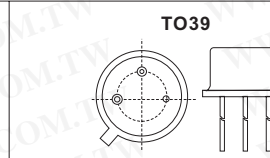
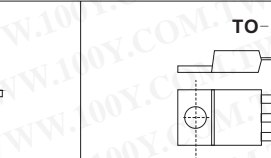
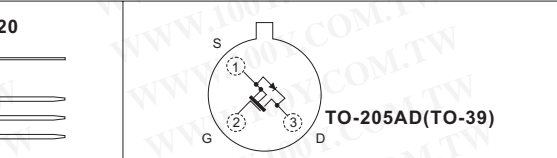
其他系列电晶体

详细产品规格 - 请点击 cn.100y.com.tw

100Y 编号	厂商编号	制造厂商	说明	Pol	Ic(max)	Pc(max)	Vceo(max)	hfe(min.-max.)	Pins/Package	Marking/ 印记
48771	PMBTA42	PHILIPS	飞利浦_NPN 高压晶体管		100mA	250mW	300V	100~300	3/SMD	
46473	PUMT1	PHILIPS	飞利浦_PNP general purpose double transistor	PNP	-100mA	200mW	-40V	120	6P/SC-88(SOT363)	FtF
46474	PUMX1	PHILIPS	飞利浦_NPN general purpose double transistor	NPN	100mA	200mW	40V	120	6P/SC-88	ZtZ
35924	TD62385AP	TOSHIBA	8CH LOW INPUT ACTIVE DARLINGTON SINK DRIVER	NPN	0.5A	1.47W	35V		18P/DIP	
35923	TD62593AP	TOSHIBA	8CH SINGLE DRIVER	NPN	0.2A	0.52W	50V	50-70	18P/DIP	
27417	UPA1520H	NEC	Compound Field Effect Power Transistor	NPN					10P/ SIP	
41684	UPA672T	NEC	Compound Field Effect Power Transistor						6PIN	MA

J-FET/MOSFET电晶体 2N~系列场效应电晶体

详细产品规格 - 请点击 cn.100y.com.tw

100Y 编号	厂商编号	制造厂商	说明	N/P Ch.	Pins/Package	Pd(max)	Vdss	Vgss	Id(max)	Rds(on)(max.) Ω
35772	2N3819	VISHAY	N-Channel JFET	N	TO-226AA(TO-92)			-35	10mA	150Ω
35773	2N3820	Fairchild	P-Channel General Purpose Amplifier	P	TO-92	0.35W	20V	20V	-15mA	
39443	2N5457	Fairchild	N-Channel General Purpose Amplifier	N	TO-92					
35784	2N5459	Fairchild								
35786	2N5461	ON-Semi.	JFET Amplifier	P	TO-92 (TO-226AA)	0.35W	40V	40V	-9.0mA	
35790	2N5486	ON-Semi.	JFET VHF/UHF Amplifier	N	TO-92 (TO-226AA)	0.35W	25V	-25V	30mA	
4889	2N7000	MOTOROLA	N-Channel Enhancement Mode Field Effect Transistor	N	3P/TO-92	400mW	60V	60V	200mA	
29231	2N7000	Fairchild	N-Channel Enhancement Mode Field Effect Transistor	N	3P/TO-92	400mW	60V	60V	200mA	
23221	H2N7000	HSMC	N-Ch. Enhancement Mode Field Effect Transistor	N-Ch.	3P/TO-92	400mW	60V	40V	200mA	5Ω
29050	MPF102	Fairchild	N-Ch. 场效应电晶体	N	3P/TO-92	350mW	25V	-25V	20mA	
8236	MPF102	MOTOROLA	JFET VHF Amplifier N-Channel-Depletion	N-Ch.	3P/TO-92	350mW	25V	-25V	20mA	
34623	2N4092		N-CHANNEL J-FET Qualified per MIL-PRF-19500/431	N	TO-18 (TO-206AA)	0.36W	40V	-40V	15mA	50Ω
42904	2N4339	VISHAY	N-Channel JFETs	N	TO-206AA (TO-18)			-50V	1.5mA	1700Ω
43318	2N4858	MOTOROLA	JFET SWITCHING	N-Ch.	TO-18(TO-206AA)	360mW	40V		50mA	
43819	2N4861	Micro-semi								
43742	2N4416	VISHAY	2N~系列场效应电晶体	N	TO-206AF(TO-72)	300mW		-30V	15mA	150 Ω
43821	2N5196	VISHAY	2N~系列场效应电晶体	N	TO-71	500mW		-50V	50mA	
43820	2N5199	VISHAY	2N~系列场效应电晶体	N	TO-71	500mW		-50V	50mA	
42883	2N5912	VISHAY	Matched N-Channel JFET Pairs	N	TO-78	500 mW		-25V	40mA	
46500	2N7002A-RTK/P	KEC	N Channel Enhancement Mode Field Effect Transistor	N	3P/SOT-23	200	60	±20	115	2
29511	2N7002E	PHILIPS	PHILIPS_2N~系列场效应电晶体	N	SOT23	0.83W	60V		0.385A	3Ω
46382	2N7002E-T1-E3	VISHAY	N-Channel 60-V MOSFET	N	SOT-23(TO-236)	0.35W	60V	10V	240mA	3Ω
29512	2N7002F	PHILIPS	PHILIPS_2N~系列场效应电晶体	N	SOT23	0.83W	60V		475mA	2Ω
29514	2N7002K	PHILIPS	PHILIPS_2N~系列场效应电晶体	N	SOT23	0.83W	60V	22V	0.34A	3.9Ω
11972	2N7002LT1G	ON-Semi.	N-Channel Enhancement Mode Field Effect Transistor	N	3P/SOT-23	200mW	60V	60Vdss	115mA	7.5
34445	PMBF4393	PHILIPS	N-channel FETs	N-channel	SOT23	250mW	20V	40V	12mA	0.4V
34450	PMBFJ177	PHILIPS	P-channel silicon field-effect transistors	P-channel	SOT23	300 mW	15V	30 V	10 nA	300 W
35247	SI2302DS	PHILIPS	N-channel enhancement mode field-effect transistor	N-channel	SOT23	0.83 W	20V	4.5V	2.5A	



服务专线: 台湾: 886-3-5753170

传 真: 台湾: 886-3-5753172

E-mail: 台湾: sale@100y.com.tw

深圳: 86-755-83298787

深圳: 86-755-83640655

深圳: 100y@163.com

上海: 86-21-34970699

上海: 86-21-64605107

上海: 100y-1@163.com