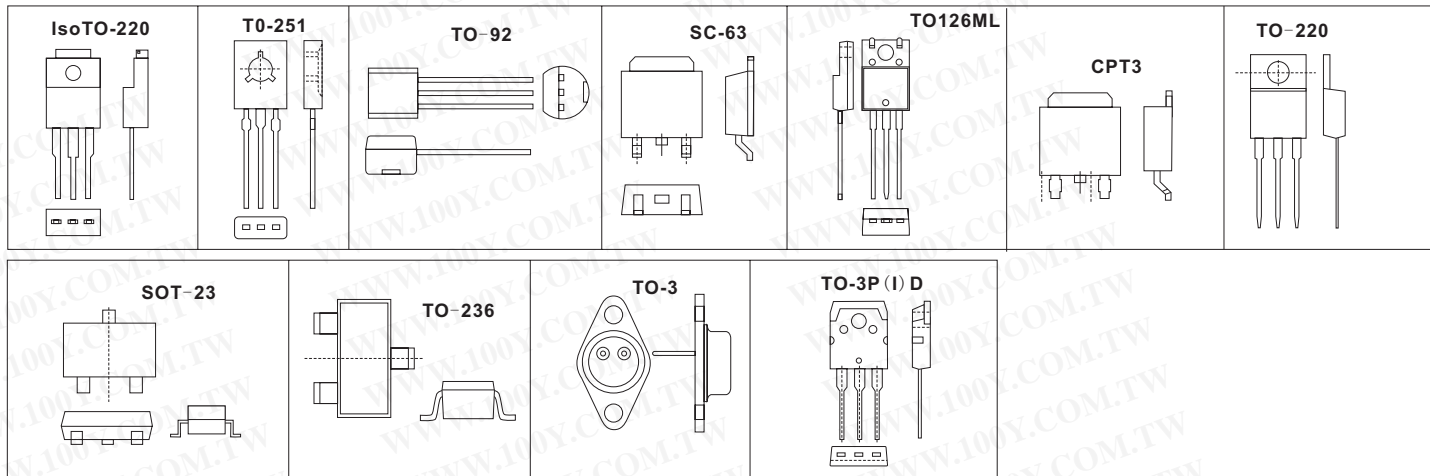




# 二极管+电晶体+模块

## 2SD~系列电晶体

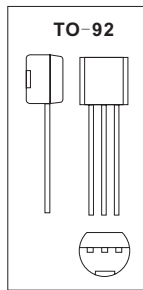
详细产品规格 - 请点击 [cn.100y.com.tw](http://cn.100y.com.tw)



100Y 编号	厂商编号	制造厂商	说明	Application	Pol	Ic(max)	Pc(max)	Vceo(max)	hfe(min.-max.)	Pins/Package
38749	2SD2163	NEC	NPN SILICON EPITAXIAL TRANSISTOR (DARLINGTON CONNECTION) FOR LOW-FREQUENCY POWER AMPLIFIERS AND		NPN	10A		100V		IsoTO-220
38943	2SD2164	NEC	SILICON POWER TRANSISTOR		NPN	3A		60V		IsoTO-220
32204	2SD2165	NEC	SILICON POWER TRANSISTOR		NPN	6A		100V		IsoTO-220
38739	2SD2217	NEC	NPN SILICON EPITAXIAL TRANSISTOR (DARLINGTON CONNECTION) FOR LOW-FREQUENCY POWER AMPLIFIERS AND LOW-SPEED SWITCHING		NPN	0.3A		300V		IsoTO-220
38711	2SD1164Z	NEC	NPN SILICON EPITAXIAL TRANSISTOR MP-3		NPN	1.5A		60V		TO-251
41364	2SD2583	NEC	电晶体			1.0 A		0.15 V	150-600	TO-251
35858	2SD1760	ROHM	Power Transistor		NPN	3A	15W	50V	82-390	SC-63
6005	2SD1763A		Transistor	LF PA	NPN	1.5A	20W	160V	60~200	3P/TO-220FP
13615	2SD1913R	SANYO	low-frequency power amplifier applications	LF PA	NPN	3A	2W	60V	70-280	3P/TO220ML
35859	2SD1980	ROHM	Power Transistor		NPN	3A	10W	100V	1000-10000	CPT3
6004	2SD2061F	ROHM	NPN power transistor	LF PA/PD/DDC	NPN	3A	30W	60V	60~500	3P/TO-220FP
16580	2SD3326	TOSHIBA	NPN SILICON TRANSISTOR		N	0.3A	0.15W	50V		SOT-23
39071	2SD601A	Panasonic	Silicon NPN epitaxial planer type		NPN	200mA	200mW	50V	160~460	TO-236
19502	2SD613E	MOSPEC	NPN SILICON TRANSISTOR		NPN	6A	40W	85V	40-320	3P/TO-220
34839	2SD685	TOSHIBA	Silicon NPN Epitaxial		NPN					2P/TO-3
15943	2SD797	TOSHIBA	Low-Frequency Power Amplifier Applications		NPN	30A	30W	100V	1000(min)	2P/TO-3
41625	2SD965	Panasonic	2SD 系列电晶体		3A	0.75W	20V		230-600	DIP/3P

## PN~系列电晶体

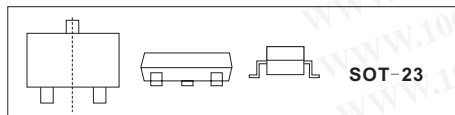
详细产品规格 - 请点击 [cn.100y.com.tw](http://cn.100y.com.tw)



100Y 编号	厂商编号	制造厂商	说明	Application	Pol	Ic(max)	Pc(max)	Vceo(max)	hfe(min.-max.)	Pins/Package
42453	BCX53	PHILIPS								
3881	MPS2222A	MOTOROLA	NPN General Purpose Amplifier	General purpose	NPN	0.8A	0.5W	40V	100~300	3P/TO-92
26563	PN2222A	Fairchild	NPN General Purpose Amplifier	General purpose	NPN	0.8A	0.5W	40V	100~300	3P/TO-92
48903	PN2222AL	UTC	NPN GENERAL PURPOSE AMPLIFIER	NPN	0.6A		40V			3P/TO-92
4503	PN2907A	KEC	For High Speed Switch	High Speed Switch	PNP	-600mA	0.4W	-60V	100~300	3P/TO-92
31667	PN2907AL	UTC	For High Speed Switch	High Speed Switch	PNP	-600mA	0.4W	-60V	100~300	3P/TO-92

## CS,C,S~系列电晶体

详细产品规格 - 请点击 [cn.100y.com.tw](http://cn.100y.com.tw)



100Y 编号	厂商编号	制造厂商	说明	Marking/ 印记	Ic(max)	Pins/Package	Pc(max)	Pol	Vceo(max)	hfe(min.-max.)
5876	C1815LT1	WEITRON	LF A(NPN silicon transistor)	HF	0.15A	3P/SOT-23	0.4W	NPN	50V	130-400
15692	C945	WEITRON	LF A(NPN silicon planar epitaxial transistor)	CR	0.15A	3P/SOT-23	0.25W	NPN	50V	40
15689	S8050	WEITRON	Switching and AF amplifier	J3Y	0.5A	3P/SOT-23	0.3W	NPN	25V	120~350
22276	S9012	WEITRON	SMD Small Signal Transistor	2T1	0.5A	3-SOT-23		PNP	-25V	40
15691	S9014	WEITRON	Switching and AF amplifier(NPN epitaxial silicon transistor)	J6	0.1A	3P/SOT-23	0.2W	NPN	45V	200~1000
42784	SS8050LT1	WEITRON	Switching and AF amplifier	J3Y	1500mAdc	3P/SOT-23	0.3W	NPN	25V	120-350
15693	SS8550	WEITRON	Switching and AF amplifier transistor	Y2	-1.5A	3P/SOT-23		PNP	-25V	40



服务专线: 台湾: 886-3-5753170

传 真: 台湾: 886-3-5753172

E-mail: 台湾: sale@100y.com.tw

深圳: 86-755-83298787

深圳: 86-755-83640655

深圳: 100y@163.com

上海: 86-21-34970699

上海: 86-21-64605107

上海: 100y-1@163.com