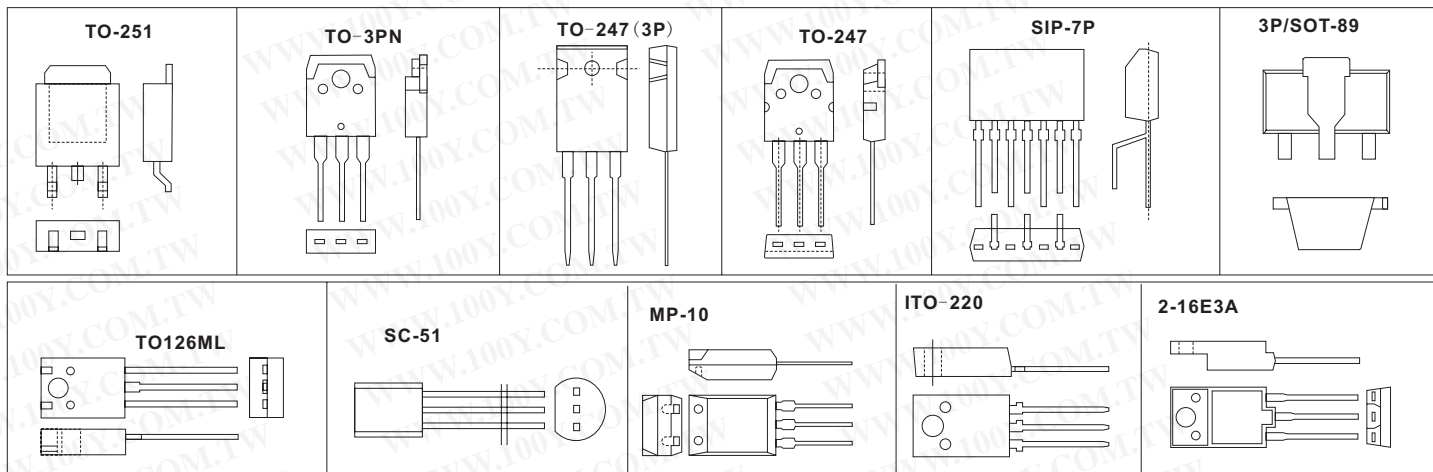


# 二极管+电晶体+模块

## 2SC~系列电晶体

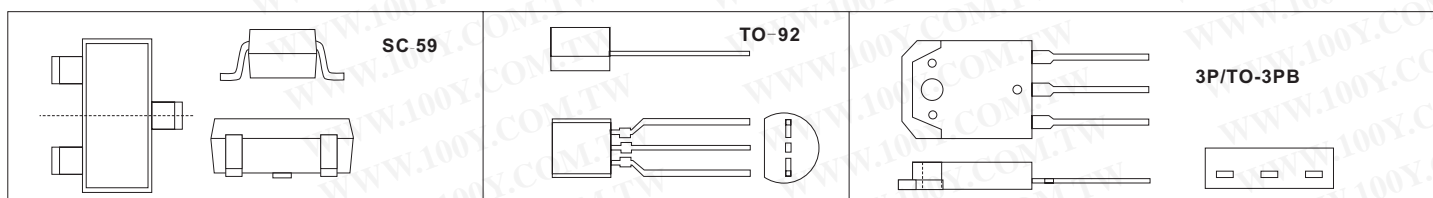
详细产品规格 - 请点击 [cn.100y.com.tw](http://cn.100y.com.tw)



100Y 编号	厂商编号	制造厂商	说明	Application	Pol	Ic(max)	Pc(max)	Vceo(max)	hfe(min.-max.)	Pins/Package
29145	2SC3075	TOSHIBA	2SC~系列电晶体			0.8A	10W	400V		TO-251
29184	2SC3588	HITACHI	2SC~系列电晶体			1A		400V	20~80	TO-251
5879	2SC3153M	SANYO	6Ampere NPN silicon power transistor	SW-Reg	NPN	6A	100W	800V	10~40	3P/TO-3PN
17311	2SC3320		Triple Diffused Planer Type High Voltage High Speed Switching		N	15A	50W	400V	10	3P/TO-3PN
35843	2SC3281	MOSPEC	POWER TRANSISTORS		NPN	15A	150W	200V	55-160	3P/TO-247
49447	2SC3306	TOSHIBA	NPN TRIPLE DIFFUSED TYPE (HIGH SPEED AND HIGH VOLTAGE SWITCHING, SWITCHING REGULATOR, HIGH SPEED DC-DC CONVERTER APPLICATIONS)		NPN	5A	100W	400V	10	TO-247
37391	2SC3307	TOSHIBA	NPN TRIPLE DIFFUSED TYPE (HIGH SPEED AND HIGH VOLTAGE SWITCHING, SWITCHING REGULATOR, HIGH SPEED DC-DC CONVERTER APPLICATIONS)		NPN	10A	150W	800V	10	TO-247
37951	2SC5144	TOSHIBA	NPN TRIPLE DIFFUSED MESA TYPE (HORIZONTAL DEFLECTION OUTPUT FOR HIGH RESOLUTION DISPLAY, COLOR TV HIGH SPEED SWITCHING APPLICATIONS)		NPN	20A	200W	600V	10-30	TO-247
42024	2SC3381	TOSHIBA								
18423	2SC3444		Transistor Silicon NPN Epitaxial Type		NPN	1A	0.5W	60V	150	3P/SOT-89
35852	2SC3953E	SANYO	High-Definition CRT Display Video Output Applications	CRT Display Video Output	NPN	0.2A	8W	120V	40-320	TO-126ML
35847	2SC3467	SANYODENKI	High-Definition CRT Display, Video Output Applications	CRT Display, Video Output	NPN	0.1A	1.0W	200V	40-320	SC-51
38735	2SC4810	NEC	NPN SILICON EPITAXIAL TRANSISTOR (DARLINGTON CONNECTION) FOR HIGH-SPEED SWITCHING		NPN	5A		100V		MP-10
38736	2SC4811	NEC	NPN SILICON EPITAXIAL TRANSISTOR (DARLINGTON CONNECTION) FOR HIGH-SPEED SWITCHING		NPN	8A		100V		MP-10
35856	2SC5001	ROHM	Low Vce(sat) Transistor (Strobe flash)	Strobe flash	NPN	10A	10W	20V	120-390	SC-63
34790	S2000AF	WISCORE	NPN TRIPLE DIFFUSED PLANAR SILICON TRANSISTOR	PLANAR SILICON TRANSISTOR	NPN	5A	50W	1500V	8	2-16E3A

## 2SD~系列电晶体

详细产品规格 - 请点击 [cn.100y.com.tw](http://cn.100y.com.tw)



100Y 编号	厂商编号	制造厂商	说明	Application	Pol	Ic(max)	Pc(max)	Vceo(max)	hfe(min.-max.)	Pins/Package
38725	2SB1693	Panasonic	Silicon PNP epitaxial planar type		PNP	-0.5A		-20V		SC-59
41520	2SD0965	Panasonic	Silicon NPN epitaxial planar type		NPN	5A	750mW	40V	230 to 380	TO-92
6010	2SD1616A	UTC	NPN SILICON TRANSISTOR	LF PA	NPN	1A	0.75W	60V	135~400	3P/TO-92
5971	2SD471		NPN SILICON TRANSISTOR	LF PA	NPN	1A	1W	25V	90~400	3P/TO92
17353	2SD655	HITACHI	NPN 低频用电晶体		NPN	0.7A	500mW	15V	250-1200	3P/TO-92
17339	2SD756ADTZ	HITACHI	Small signal general purpose transistor	1.Low frequency high voltage amplifier 2.Complementary pair with 2SB715, 2SB716 and 2SB716A	NPN	0.05A	0.75W	120V	250-800	3P/TO-92
49585	2SD774	NEC	NPN SILICON TRANSISTOR		NPN	1.0A	1W	50V	70-600	TO-92-3P
39335	2SD1047E	SANYO	NPN silicon power transistor		NPN	12A	100W	140V	60~200	3P/TO-3PB



服务专线: 台湾: 886-3-5753170  
 传 真: 台湾: 886-3-5753172  
 E-mail: 台湾: sale@100y.com.tw

深圳: 86-755-83298787  
 深圳: 86-755-83640655  
 深圳: 100y@163.com

上海: 86-21-34970699  
 上海: 86-21-64605107  
 上海: 100y-1@163.com