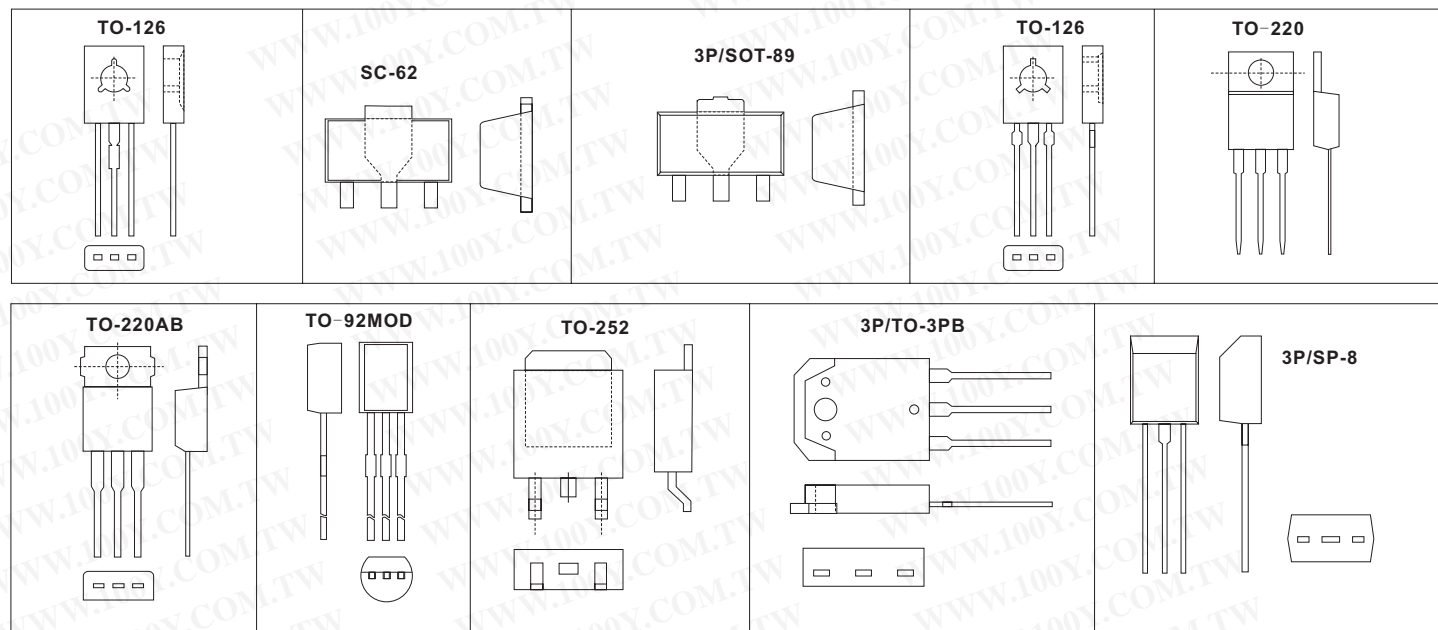


# 二极管+电晶体+模块

## 2SB~系列电晶体

详细产品规格 - 请点击 [cn.100y.com.tw](http://cn.100y.com.tw)



100Y 编号	厂商编号	制造厂商	说明	Application	Pol	Ic(max)	Pc(max)	Vceo(max)	hfe(min.-max.)	Pins/Package
13608	2SB1109C	HITACHI	Power Transistor		PNP	-0.1A	2W	-160V	60~320	3P/TO-126
38732	2SB1149	NEC	PNP SILICON DARLINGTON TRANSISTOR		PNP	-3A		-100V		TO-126
38724	2SB1150	NEC	PNP SILICON DARLINGTON TRANSISTOR		PNP	-3A		-60V		TO-126
38664	2SB1657	NEC	AUDIO FREQUENCY AMPLIFIER, SWITCHING PNP SILICON EPITAXIAL TRANSISTORS		PNP	5A		-30V		TO-126
38666	2SD1658	NEC	AUDIO FREQUENCY AMPLIFIER, SWITCHING PNP SILICON EPITAXIAL TRANSISTORS		PNP	5A		-30V		TO-126
5837	2SB649A	HITACHI	Bipolar power general purpose transistor		PNP	-1.5A	1W	-160V	60~200	3P/TO-126
10217	2SB772P	UTC	Silicon Transistors		PNP	-3A	1W	-30V	60~400	3P/TO-126
38728	2SB794	NEC	PNP SILICON DARLINGTON POWER TRANSISTORS		PNP	-1.5A		-60V		TO-126
38729	2SB795	NEC	PNP SILICON DARLINGTON POWER TRANSISTORS		PNP	-1.5A		-80V		TO-126
35827	2SB1132	ROHM	Medium Power Transistor		PNP	-1A	2W	-32V	82-390	SC-62
22785	2SB1386-T100R	ROHM	Silicon Transistors		PNP	-0.5	2W	-20V	82~390	3P/SOT-89
5847	2SB1186A	ROHM	Transistor		PNP	-1.5A	20W	-160V	60~200	3P/TO-220FP
49103	2SB1386L	UTC	PNP Silicon Transistor	PNP	-0.5	2W	-20V	180~390		3P/SOT-89
41431	2SB1658	NEC	AUDIO FREQUENCY AMPLIFIER, SWITCHING	AUDIO FREQUENCY AMPLIFIER, SWITCHING	PNP	-10A	10W	-0.15V	150~600	3P/DIP
23723	2SB536	NEC	PNP Transistor	General Purpose Amp	PNP	-1.5A	20W	-120V	40-250	3P/TO-220
38686	2SB546A	NEC	VERTICAL DEFLECTION OUTPUT FOR COLOR TV PNP/NPN SILICON TRIPLE DIFFUSED TRANSISTOR		PNP	-2A		-150V		TO-220AB
3753	2SB562CTZ	HITACHI	Tall Driver Transistor		PNP	-1A	0.9W	-20V	85~240	3P/TO-92L
38734	2SB601	NEC	PNP SILICON EPITAXIAL TRANSISTOR (DARLINGTON CONNECTION) FOR LOW-FREQUENCY POWER AMPLIFIERS AND LOW-SPEED SWITCHING		PNP	-5A		-100V		TO-220AB
5836	2SB647C	HITACHI	Small signal general purpose transistor		PNP	-1A	0.9W	-80V	60~320	3P/TO-92L
5841	2SB686		Transistor		PNP	-6A	60W	-100V	55~160	3P/TO-3PN
38663	2SB768Z	NEC	PNP SILICON TRIPLE DIFFUSED TRANSISTOR MP-3		PNP	-2A		-150V		TO-252
44252	2SB798	NEC	PNP SILICON EPITAXIAL TRANSISTOR POWER MINI MOLD		PNP	-1.0A	2W	-25V	135~270	3P/SOT-89
13609	2SB817PE	SANYO	Silicon Transistor(Pb Free)		PNP	-12A	80W	-140V	60-200	3P/TO-3PB
41113	2SB826R	SANYO	Epitaxial Planar Silicon Transistor		PNP	-12A	40W	-50V	70~280	3P/TO-220AB
5843	2SB857	HITACHI	Silicon PNP Triple Diffused		P	-4A	40W	-50V	60~320	3P/TO-220AB
5844	2SB861		Silicon PNP Triple Diffused		PNP	-2A	1.8W	-150V	60~200	3P/TO-220AB
5846	2SB863		Power Transistor		PNP	-10A	-140W	100V	55~160	3P/TO-3PN
38717	2SB963Z	NEC	PNP SILICON EPITAXIAL DARLINGTON TRANSISTOR		PNP	-1A		-60V		TO-252
5833	KSB564AY	Fairchild	PNP SILICON TRANSISTOR		PNP	-1A	1W	-25V	90~400	3P/SP-8

