

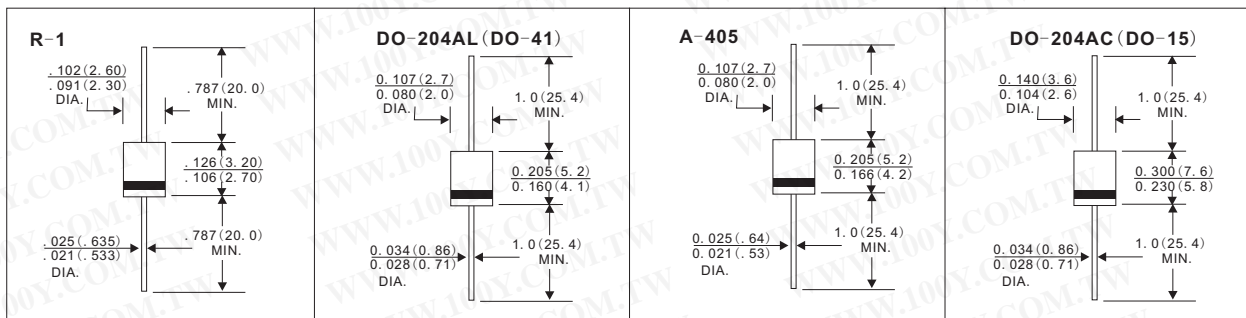


二极管+电晶体+模块

二极管

DACO 矽整流二极管

详细产品规格 - 请点击 cn.100y.com.tw



直径为英寸和(毫米)

100Y 编号	厂商编号	制造厂商	说明	Iav (A)	Vrrm	Pins/Package
24475	1A1	DACO	1.0AMP SILICON RECTIFIER	1.0	50	R-1
24483	1A2	DACO	1.0AMP SILICON RECTIFIER	1.0	100	R-1
24485	1A3	DACO	1.0AMP SILICON RECTIFIER	1.0	200	R-1
24487	1A4	DACO	1.0AMP SILICON RECTIFIER	1.0	400	R-1
24488	1A5	DACO	1.0AMP SILICON RECTIFIER	1.0	600	R-1
24489	1A6	DACO	1.0AMP SILICON RECTIFIER	1.0	800	R-1
24490	1A7	DACO	1.0AMP SILICON RECTIFIER	1.0	1000	R-1
24424	1N4001	DACO	1.0AMP SILICON RECTIFIER	1.0	50	DO-41
24334	1N4001G	DACO	1.0AMP GLASS PASSIVATED STANDARD RECTIFIER	1.0	50	DO-41
24417	1N4001S	DACO	1.0AMP SILICON RECTIFIER	1.0	50	A-405
24491	1N4002	DACO	1.0AMP SILICON RECTIFIER	1.0	100	DO-41
24335	1N4002G	DACO	1.0AMP GLASS PASSIVATED STANDARD RECTIFIER	1.0	100	DO-41
24418	1N4002S	DACO	1.0AMP SILICON RECTIFIER	1.0	100	A-405
24492	1N4003	DACO	1.0AMP SILICON RECTIFIER	1.0	200	DO-41
24343	1N4003G	DACO	1.0AMP GLASS PASSIVATED STANDARD RECTIFIER	1.0	200	DO-41
24419	1N4003S	DACO	1.0AMP SILICON RECTIFIER	1.0	200	A-405
24503	1N4004	DACO	DACO_1.0AMP SILICON RECTIFIER	1.0	400	DO-41
24344	1N4004G	DACO	1.0AMP GLASS PASSIVATED STANDARD RECTIFIER	1.0	400	DO-41
24420	1N4004S	DACO	1.0AMP SILICON RECTIFIER	1.0	400	A-405
24494	1N4005	DACO	DACO_1.0AMP SILICON RECTIFIER	1.0	600	DO-41
24345	1N4005G	DACO	1.0AMP GLASS PASSIVATED STANDARD RECTIFIER	1.0	600	DO-41
24421	1N4005S	DACO	1.0AMP SILICON RECTIFIER	1.0	600	A-405
24501	1N4006	DACO	DACO_1.0AMP SILICON RECTIFIER	1.0	800	DO-41
24346	1N4006G	DACO	1.0AMP GLASS PASSIVATED STANDARD RECTIFIER	1.0	800	DO-41
24422	1N4006S	DACO	1.0AMP SILICON RECTIFIER	1.0	800	A-405
24502	1N4007	DACO	DACO_1.0AMP SILICON RECTIFIER	1.0	1000	DO-41
24347	1N4007G	DACO	1.0AMP GLASS PASSIVATED STANDARD RECTIFIER	1.0	1000	DO-41
24423	1N4007S	DACO	1.0AMP SILICON RECTIFIER	1.0	1000	A-405
24426	1N5391	DACO	1.5AMP SILICON RECTIFIER	1.5	50	DO-15
24348	1N5391G	DACO	1.5AMP GLASS PASSIVATED STANDARD RECTIFIER	1.5	50	DO-15
24359	1N5391GS	DACO	1.5AMP GLASS PASSIVATED STANDARD RECTIFIER	1.5	50	DO-41
24434	1N5391S	DACO	1.5AMP SILICON RECTIFIER	1.5	50	DO-41
24504	1N5392	DACO	DACO_1.5AMP SILICON RECTIFIER	1.5	100	DO-15
24349	1N5392G	DACO	1.5AMP GLASS PASSIVATED STANDARD RECTIFIER	1.5	100	DO-15
24360	1N5392GS	DACO	1.5AMP GLASS PASSIVATED RECTIFIER	1.5	100	DO-41
24435	1N5392S	DACO	1.5AMP SILICON RECTIFIER	1.5	100	DO-41
24427	1N5393	DACO	1.5AMP SILICON RECTIFIER	1.5	200	DO-15
24351	1N5393G	DACO	1.5AMP GLASS PASSIVATED STANDARD RECTIFIER	1.5	200	DO-15
24361	1N5393GS	DACO	1.5AMP GLASS PASSIVATED STANDARD RECTIFIER	1.5	200	DO-41
24436	1N5393S	DACO	1.5AMP SILICON RECTIFIER	1.5	200	DO-41
24428	1N5394	DACO	1.5AMP SILICON RECTIFIER	1.5	300	DO-15
24352	1N5394G	DACO	GLASS PASSIVATED STANDARD RECTIFIER	1.5	300	DO-15
24362	1N5394GS	DACO	1.5AMP GLASS PASSIVATED STANDARD RECTIFIER	1.5	300	DO-41
24437	1N5394S	DACO	1.5AMP SILICON RECTIFIER	1.5	300	DO-41
24429	1N5395	DACO	1.5AMP SILICON RECTIFIER	1.5	400	DO-15
24353	1N5395G	DACO	1.5AMP GLASS PASSIVATED STANDARD RECTIFIER	1.5	400	DO-15
24364	1N5395GS	DACO	1.5AMP GLASS PASSIVATED STANDARD RECTIFIER	1.5	400	DO-41
24438	1N5395S	DACO	1.5AMP SILICON RECTIFIER	1.5AMP	400	DO-41
24430	1N5396	DACO	1.5AMP SILICON RECTIFIER	1.5	600	DO-15
24355	1N5396G	DACO	1.5AMP GLASS PASIVATED STANDARD RECTIFIER	1.5	500	DO-15
24365	1N5396GS	DACO	1.5AMP GLASS PASSIVATED RECTIFIER	1.5	500	DO-41
24439	1N5396S	DACO	1.5AMP SILICON RECTIFIER	1.5	500	DO-41
24505	1N5397	DACO	DACO_1.5AMP SILICON RECTIFIER	1.5	600	DO-15
24356	1N5397G	DACO	1.5AMP GLASS PASSIVATED STANDARD RECTIFIER	1.5	600	DO-15
24366	1N5397GS	DACO	1.5AMP GLASS PASSIVATED STANDARD RECTIFIER	1.5	600	DO-41
24440	1N5397S	DACO	1.5AMP SILICON RECTIFIER	1.5	600	DO-41



服务专线: 台湾: 886-3-5753170

传 真: 台湾: 886-3-5753172

E-mail: 台湾: sale@100y.com.tw

深圳: 86-755-83298787

深圳: 86-755-83640655

深圳: 100y@163.com

上海: 86-21-34970699

上海: 86-21-64605107

上海: 100y-1@163.com