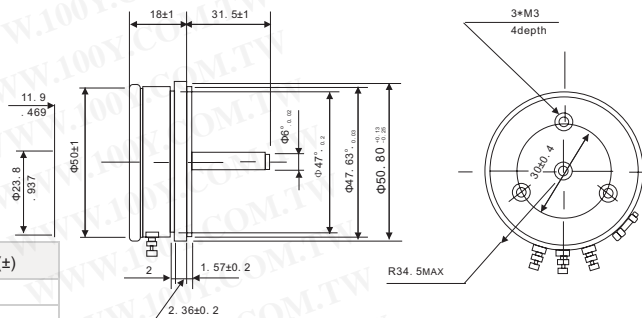


## 低电力绕线式可变电阻



详细产品规格 - 请点击 [cn.100y.com.tw](http://cn.100y.com.tw)

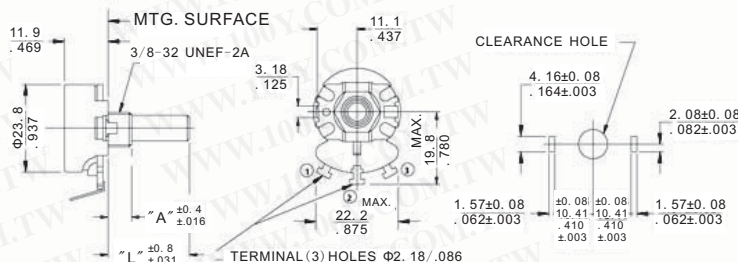


| 100Y 编号 | 厂商编号     | 制造厂商  | 说明                | 电阻值(Ω) | 误差值(±) |
|---------|----------|-------|-------------------|--------|--------|
| 44668   | CP50-202 |       | 单圈绕线电位器           | 2KΩ    | ±0.5%  |
| 49128   | CP50-502 | Sakae | 单圈绕线电位器 柄(31.5mm) | 5KΩ    | ±0.5%  |



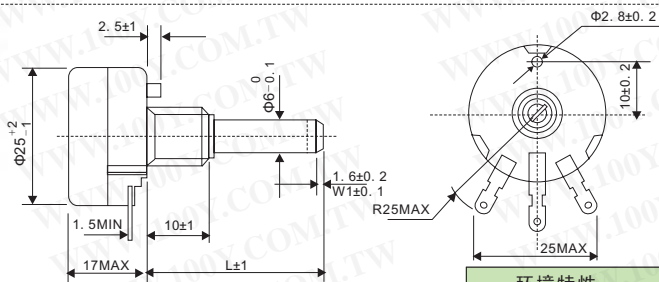
### 特点:

- 防尘外壳
- 水溅不影响构造
- 5-watt 额定功耗
- 优越抵抗稳定在温度和环境改变
- 纵排构造适用
- 套管或螺旋符安装
- 用于拉推和旋转式电源开关
- 优秀线性表现
- RoHS 服从



| 电气和机械规格 |  |
|---------|--|
| 电阻范围    | Linear : 1 ohm through 25K ohms    Audio : 20 ohms through 10K ohms  |
| 耐电阻     | Standard : ± 10%    Special : Tighter tolerance available in most resistance values  |
| 额定功耗    | 5 watts @ 25°C, 4 watts @ 55°C, derated to no load at 105°C, linear taper (Derating required on two section countols.)   |
| 额定电压    | Bushing to Terminals: High pot test, one minute -- 1,000 VAC Operating maximum -- 500 VDC<br>Across End Terminals: 350 VDC maximum, load not to exceed wattage rating. |
| 电阻磁盘    | Standard: Linear or 20% audio    Special: Consult CTS  |
| 线性      | Standard: 3% linearity    Special: Consult CTS   |
| 开关功率    | Rotary Pole-SPST, DPST & SPDT    Pull-Push Pole-SPST (Pull-ON, Push-OFF)   |
| 旋转角度    | Mechanical Rotation: Without switch: 300°±5°    With switch: 300°±5°<br>Effective Rotation: Without switch: 280°±5°    With switch: 265°±5°                            |
| 旋转力矩    | Standard: 3/4 to 6 in. oz (54 - 432 gf-cm)    Special: higher torque models available, consult CTS   |
| 操作温度    | -30°C to +85°C   |

| 100Y 编号 | 厂商编号   | 说明     | 电阻值(Ω) | Power rating (W) |
|---------|--------|--------|--------|------------------|
| 13336   | CT2153 | 绕线可变电阻 | 50Ω    | 5W               |
| 12303   | CT2154 | 绕线可变电阻 | 100Ω   | 5W               |
| 12302   | CT2156 | 绕线可变电阻 | 500Ω   | 5W               |



| 机械特性   |   |
|--------|---|
| 机械角度   | 300°±5°   |
| 轴扭矩    | Single 7~30mN·m (71.4~306gf-cm)<br>Tandem 7~70mN·m (71.4~714gf-cm)<br>Dual 7~45mN·m (71.4~459gf-cm) |
| 停止强度   | 1.0N·m min. (10.2kgf-cm min.)   |
| 操作温度范围 | -10°C~+100°C    -55°C~+100°C  |
| 可焊性    | 235°C, 3 sec  |

| 电气特性   |  |
|--------|--|
| 最大电阻范围 | B: 5Ω~20kΩ    A, C: 100Ω~5kΩ               |
| 最大耐电阻  | (Made to order ±5%, ±2%, ±1%)              |
| 终止电阻   | R < 500Ω    1Ωmax.    R ≥ 500Ω    0.2%max. |
| 额定功耗   | B: 1.2W/40°C    A, C: 0.6W/40°C            |
| 绝缘电阻   | 100MΩ min (DC500V)                         |
| 电介质强度  | AC500V 1 minute                            |

| 环境特性  |   |                                   |
|-------|---|-----------------------------------|
| 测试项目  | Test condition  | Standard                          |
| 热焊    | 350°C, 3.5sec   | ΔR/R ≤ ±2%                        |
| 转动寿命  | With half rating load                                 | 15,000 cycles                     |
|       |   | 500 cycles (only shaft lock type) |
| 耐负载   | 40°C 1,000 hours with rating load                     | ΔR/R ≤ ±3%                        |
| 温度特点  | 85°C 5 hours without load                             | ΔR/R ≤ ±3%                        |
| 低温曝光  | (Only X type -55°C), 1 hour without load              | ΔR/R ≤ ±5%                        |
| 振动    | 10~55Hz 2 directions of 2 hours each, amplitude 1.5mm | ΔR/R ≤ ±1%                        |
| 耐湿和负载 | 40°C 90~95%RH 1/10 loading 500 hours                  | ΔR/R ≤ ±5%                        |

| 100Y 编号 | 厂商编号         | 制造厂商  | 说明        | 电阻值(Ω) | Power rating (W) | 误差值(±) |
|---------|--------------|-------|-----------|--------|------------------|--------|
| 41752   | RA25Y20SB102 | TOCOS | 低电力绕线可变电阻 | 1KΩ    | 1.2W             | ±10%   |



服务专线: 台湾: 886-3-5753170  
 传 真: 台湾: 886-3-5753172  
 E-mail: 台湾: sale@100y.com.tw

深圳: 86-755-83298787  
 深圳: 86-755-83640655  
 深圳: 100y@163.com

上海: 86-21-34970699  
 上海: 86-21-64605107  
 上海: 100y-1@163.com