



# 电阻+电位器+旋钮

## 碳膜可变电阻



详细产品规格 - 请点击 [cn.100y.com.tw](http://cn.100y.com.tw)

电气的性能	
总阻值	10KΩ~500KΩ
总阻值容许差	±20%
定格电力	Curve B: 0.05W other curve B: 0.025W
最高使用电压	Curve B: 50VAC other curve B: 25VAC
阻值线性	A, B, C
残留阻值	R≥250KΩ 0.1% max. of total resistance 250KΩ>R>10KΩ 20Ω max. 10KΩ≥R 10Ωmax.
绝缘抵抗	More than 100MΩ at DC 250V
相互偏差	-40dB to 0dB 3dB max.
滑动噪音	Less than 100mV

100Y 编号	厂商编号	制造厂商
29322	RD925S-2A1-B102	HT



RV24YG

RV24YN

### 特点:

- 24mm 直径, 单转工业盘区控制
- 碳膜片元素
- 线性或音量补偿器
- 单一, 纵排和三倍单位, 单轴; 双重单位, 双重轴
- SPST或SPDT 开关with 1A or 3A rating
- 轴锁和中心活栓模型

- 金属轴和轴衬
- 仅仪表板安装
- 直角听觉接线片终端
- 6mm 直径槽孔轴, 平或圆的结尾样式
- 标准15mm或20mm轴长度

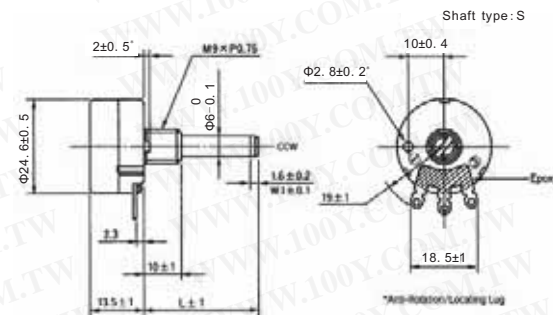
### RV24YN

Panel Mount, Single Unit, Single Shaft, Right Angle Ear-Lug Terminals RV24YNHT High Torque, RVB24YN Low Torque, and RV24YS Panel Seal Models available as Special Order.

### 规格:

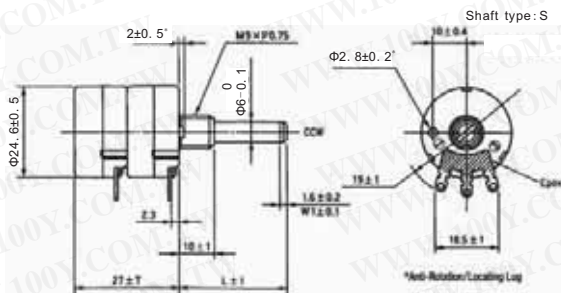


电气	
标准电阻范围	B = 50Ωto 2MΩ A, C=1kΩto 2MΩ
耐电阻	±10% standard
中止电阻	3Ωmax
电阻磁盘	B = linear; A = CW audio (logarithm); C = CCW audio (logarithm)
高峰噪音(C.R.V.)	3% or 3Ω, whichever is greater
定格电力	B = 0.25 watt; A, C = 0.125 watt at +40°C, 0 watt at +85°C
最大输入电压	B = 315VDC; A, C = 200VDC or power rating, whichever is smaller
绝缘抵抗	100MΩminimum at 1,000VDC
电介质强度	1,000VAC, 1 minute
调整行程	280°C ±10°



### RV24YG

Panel Mount, Ganged/Tandem Unit, Single Shaft Right Angle Ear-Lug Terminals on Each Unit



机械	
机械行程	300° ± 5°
轴扭矩	Single Unit: 51 to 306 gf·cm (0.707 to 4.242 oz·in) Other Units: 51 to 510 gf·cm (0.707 to 7.070 oz·in)
停止强度	9.18 kgf·cm (127.26 oz·in) max.
安装螺母扭矩	15 kgf·cm (207.94 oz·in) max.
可焊性	235°C, 5 seconds
标号	Model type, taper, resistance code, shaft type, terminal identification, date code

环境	
温度范围	-10°C to +85°C
温度特性	+85°C, 30 minutes without load R ≤ 10kΩ → ΔT/R ≤ ±6% 10kΩ < R < 1MΩ → ΔT/R ≤ ±10% R ≥ 1MΩ → ΔT/R ≤ ±15%
耐负载	+40°C, 1,000 hours with rated load ΔT/R ≤ ±10%
耐湿气和负载	+40°C, 90-95%RH, 500 hours with rated load R < 100kΩ → ΔT/R ≤ -10% ~ +15% R ≥ 100kΩ → ΔT/R ≤ -10% ~ +20%
端子冲击	-10°C ~ +85°C, 5 cycles without load ΔT/R ≤ ±10%
振动	10-55Hz, 1.5mm amplitude, 3 directions, 2 hours each ΔT/R ≤ ±2.5%
热焊电阻	350°C, 3 seconds ΔT/R ≤ ±2%
转动寿命	15,000 cycles (500 cycles for shaft lock models only) without load ΔT/R ≤ ±7%

标准转台式开关	
开关范围	110VAC, 1A or 3A, SPDT or SPST
触点电阻	0.05Ωmax.
操作扭矩	1,530 gf·cm (21.21oz·in) max.
操作寿命	10,000 cycles without load

R = Total Resistance Value; ΔT/R = Total Resistance Change

100Y 编号	厂商编号	制造厂商	说明	电阻值(Ω)
23137	RV24YG20S15A103*2	TOCOS	双层可变电阻	10KΩ
23135	RV24YG20S15A104*2	TOCOS	双层可变电阻	100KΩ



服务专线: 台湾: 886-3-5753170

传 真: 台湾: 886-3-5753172

E-mail: 台湾: sale@100y.com.tw

深圳: 86-755-83298787

深圳: 86-755-83640655

深圳: 100y@163.com

上海: 86-21-34970699

上海: 86-21-64605107

上海: 100y-1@163.com