

电阻+电位器+旋钮

2W 多转精密电位器 (可变电阻)

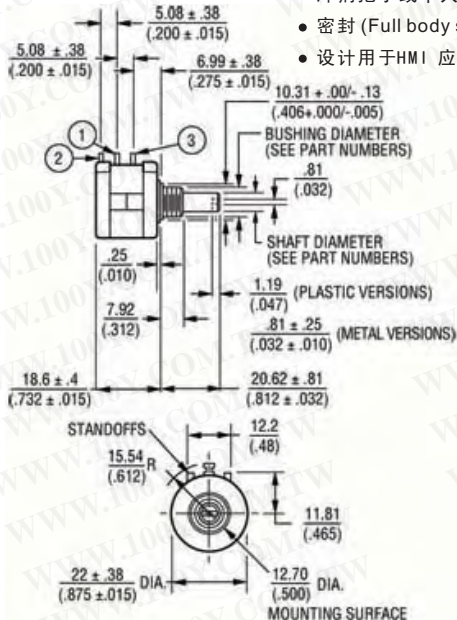
详细产品规格 - 请点击 cn.100y.com.tw



特点:

- 轴衬安装
- 任意AR针特点
- 塑料或金属轴和轴衬
- 电阻丝缠绕
- 焊剂把手或个人计算机针
- 密封 (Full body seal)
- 设计用于HMI 应用

电气特性 ¹		
额定功耗 (Voltage Limited By Power Dissipation or 450 VAC, Whichever is Less)	+40 °C +125 °C	2 watts 0 watt
绝缘电阻 (500 VDC)	决议	1,000 megohms minimum
		See recommended part numbers



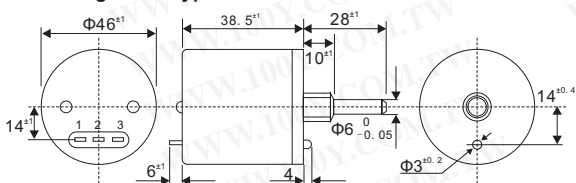
环境特性 ¹	
操作温度范围	+1 °C to +125 °C
存储温度范围	-55 °C to +125 °C
温度系数过存储温度范围	±50 ppm/°C maximum/unit
振动 Wiper Bounce	15 G 0.1 millisecond maximum
冲击 Wiper Bounce	50 G 0.1 millisecond maximum
耐负载 Total Resistance Shift	1,000 hours, 2 watts ±2 % maximum
转动寿命 (无负载) Total Resistance Shift	1,000,000 shaft revolutions ±5 % maximum
湿气抵抗 (MIL-STD-202, Method 103, Condition B) Total Resistance Shift	±2 % maximum
额定IP Sealed Versions (-3, -4, -7, and -8) Unsealed Versions (-1 -2, -5, and -6)	IP 65 IP 40

机械特性 ¹	
终止强度	45 N-cm (64 oz.-in.) Minimum
机械角度	3600° ±10°, -0°
力矩 (Starting & Running)	0.35 N-cm (0.5 oz.-in.) maximum (unsealed) 1.1 N-cm (1.5 oz.-in.) maximum (sealed)
安装	55-80 N-cm (5-7 lb.-in.) (Plastic) 90-113 N-cm (8-10 in.-lb.) (Metal)
轴力矩	0.13 mm (0.005 in.) T.I.R.
侧向溢流	0.20 mm (0.008 in.) T.I.R.
轴向间隙	0.25 mm (0.010 in.) T.I.R.
轴径向游间	0.13 mm (0.005 in.) T.I.R.
驱动直径溢流	0.08 mm (0.003 in.) T.I.R.
反斜线	1.0° maximum
重量	Approximately 19 G
终端	Solder lugs or PC pins
焊接情况 Manual Soldering Wave Soldering Wash processes	96.5Sn/3.0Ag/0.5Cu solid wire or no-clean rosin cored wire; 370 °C (700 °F) max. for 3 seconds 96.5Sn/3.0Ag/0.5Cu solder with no-clean flux; 260 °C (500 °F) max. for 5 seconds Not recommended
标号	制造商名字和零件号码、电阻价值和耐性、耐线性、接线图和日期代码。
机器连接 (多台部分电位器)	1 cup maximum
硬件	One lockwasher and one mounting nut is shipped with each potentiometer.

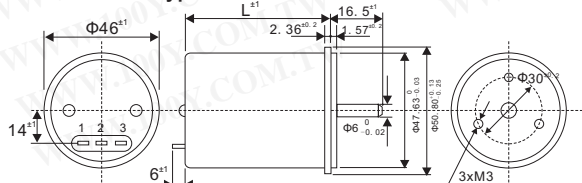
100Y 编号	厂商编号	制造厂商	说明	Shaft Dia. (mm)	电阻值(Ω)	Power rating (W)	圈数	误差值(±)
36884	3590S-2-102L	Bourns	Precision Potentiometer	6.3	1K	2W	10	±5%
17536	3590S-2-103L	Bourns	Precision Potentiometer	6.3	10KΩ	2W	10	±5%
36887	3590S-2-104L	Bourns	Precision Potentiometer	6.3	100K	2W	10	±5%
36885	3590S-2-202	Bourns	Precision Potentiometer	6.3	2K	2W	10	±5%
23722	3590S-2-203	Bourns	2W Precision Potentiometer	6.3	20KΩ	2W	10	±5%
35807	3590S-2-502	Bourns	Precision Potentiometer	6.3	5K	2W	10	±5%
36886	3590S-2-503	Bourns	Precision Potentiometer	6.3	50K	2W	10	±5%



Bushingmount type



Servomount type



服务专线: 台湾: 886-3-5753170

传 真: 台湾: 886-3-5753172

E-mail: 台湾: sale@100y.com.tw

深圳: 86-755-83298787

深圳: 86-755-83640655

深圳: 100y@163.com

上海: 86-21-34970699

上海: 86-21-64605107

上海: 100y-1@163.com