

电阻+电位器+旋钮

低电力绕线式可变电阻



特点:

- 30mm 直径, 单转工业盘区控制
- 碳膜片元素
- 线性或音量补偿器
- 单一, 纵排和三倍单位, 单轴; 双重单位, 双重轴
- SPST或SPDT 开关with 1A or 3A rating
- 轴锁和中心活控模型

详细产品规格 - 请点击 cn.100y.com.tw

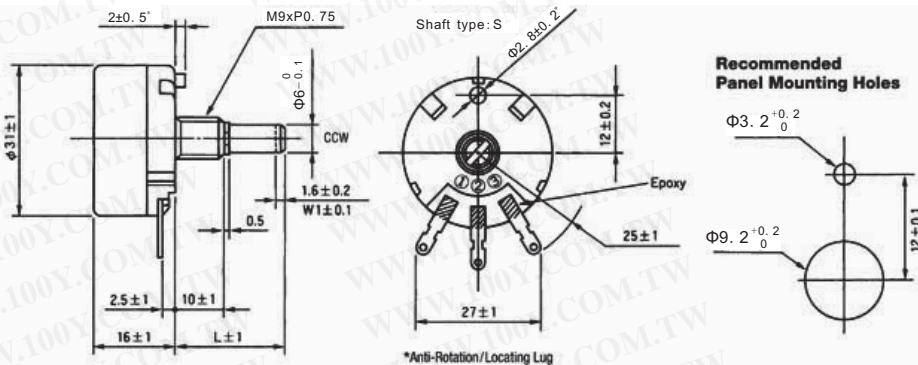
- 金属轴和轴衬
- 仅仪表板安装
- 温度范围是 -10°C or -30°C, up to +100°C
- 6mm 直径槽孔轴, 平或圆的结尾样式
- 标准15mm或20mm轴长度



规格:

标准转台式开关	
开关范围	110VAC, 1A or 3A, SPDT or SPST
接点电阻	0.05Ω max.
操作扭矩	1,500 gf·cm (20.79 oz·in) max.
操作寿命	10,000 cycles without load

RA30Y & RA30X Panel Mount, Single Unit, Single Shaft Right Angle Ear-Lug Terminals



电气			
标准电阻范围	B=5Ω to 20kΩ A,C=100Ω to 5kΩ		
耐电阻	±10% standard (±5%, ±2% or ±1% special order)		
中止电阻	R < 500Ω = 1Ω max. R ≥ 500Ω = 0.2% max.		
电阻磁盘	B = linear; A = CW audio (logarithm); C = CCW audio (logarithm)		
定格电力	B = 2.5 watts; A, C = 1.25 watts, at +40°C		
绝缘抵抗	100MΩ minimum at 500VDC		
电介质强度	500VAC, 1 minute		
理论决议			
Resistance (Ω)	Resolution (%)	Resistance (Ω)	Resolution (%)
5	1.62	500	0.23
10	0.81	1,000	0.19
20	0.67	2,000	0.15
50	0.45	5,000	0.14
100	0.44	10,000	0.12
200	0.32	20,000	0.10

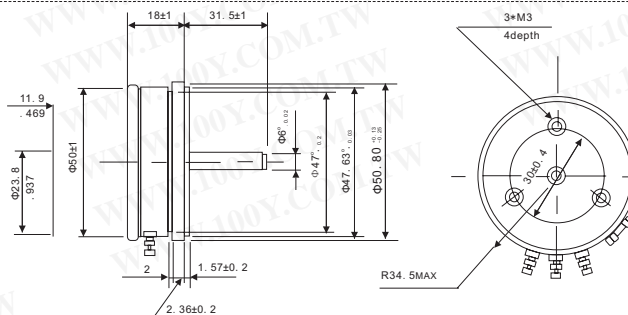
机械	
机械行程	300° ± 5°
轴扭矩	Single Unit: 70.1 to 306 gf·cm (0.972 to 4.242 oz·in) Tandem Unit: 70 to 701 gf·cm (0.97 to 9.718 oz·in) Other Units: 70 to 450 gf·cm (0.97 to 6.238 oz·in)
停止强度	10.2 kgf·cm (141.4 oz·in) max.
安装螺母扭矩	15 kgf·cm (207.94 oz·in) max.
可焊性	235°C, 3 seconds
标号	Taper, resistance, resistance tolerance, terminal identification, date code

环境	
温度范围	Y = -10°C to +100°C or X = -30°C to +100°C
温度特性	+85°C, 5 hours without load ΔT/R ≤ ± 5%
耐负载	-10°C (Y), -30°C (X) 1 hour without load ΔT/R ≤ ± 3%
耐湿气和负载	+40°C, 1,000 hours with rated load ΔT/R ≤ ± 3%
端子冲击	+40°C, 90-95%RH, 500 hours with 1/10 rated load ΔT/R ≤ ± 5%
振动	10-55Hz, 1.5mm amplitude, 2 directions, 2 hours each ΔT/R ≤ ± 1%
热焊电阻	350°C, 3.5 seconds; ΔT/R ≤ ± 2%
转动寿命	15,000 cycles (500 cycles for shaft lock models only) with 1/2 rated load ΔT/R ≤ ± 3%

100Y 编号	厂商编号	制造厂商	说明	电阻值(Ω)	Power rating (W)
8331	RA30YN20S-10K	TOCOS	低电力绕线可变电阻	10KΩ	2.5W
2927	RA30YN20S-1K	TOCOS	低电力绕线可变电阻	1KΩ	2.5W
4472	RA30YN20S-20K	TOCOS	低电力绕线可变电阻	20KΩ	2.5W
43896	RA30YN20S-2K	TOCOS	低电力绕线可变电阻	2KΩ	2.5W
2332	RA30YN20S-5K	TOCOS	低电力绕线可变电阻	5KΩ	2.5W



噪音:	Below 100Ω E.N.R.
电气行程:	355° ± 3°
机械行程:	360° (Endless)
绝缘电阻:	Over 1,000MΩ at 1,000V.D.C.
电介质强度:	1 minute at 1,000V.A.C.
开始扭矩:	Below 5mN·m (50gf·cm)
最大工作电压:	250V
抵抗导线温度系数:	±20p.p.m./°C
质量:	Approx. 120g



服务专线: 台湾: 886-3-5753170
 传 真: 台湾: 886-3-5753172
 E-mail: 台湾: sale@100y.com.tw

深圳: 86-755-83298787
 深圳: 86-755-83640655
 深圳: 100y@163.com

上海: 86-21-34970699
 上海: 86-21-64605107
 上海: 100y-1@163.com