

# 继电器+电磁阀

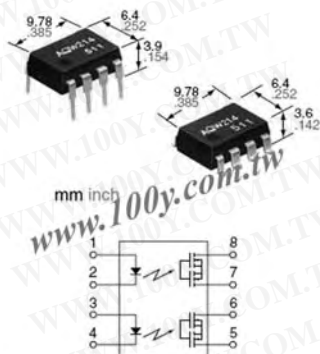
## TTI\_PCB继电器

详细产品规格 - 请点击 [cn.100y.com.tw](http://cn.100y.com.tw)

| 100Y 编号 | 厂商编号          | 制造厂商 | 说明        | Outline L*W*H    | Contact Arrangement | Contact Rating  | Coil Voltage | Recognized Safety | Type |
|---------|---------------|------|-----------|------------------|---------------------|-----------------|--------------|-------------------|------|
| 23122   | TRY-110A-P-4C | TTI  | TTI Relay | 27.3*21.0*35.5mm | 4PDT                | 5A 250VAC/30VDC | 110VAC       | UL                | TRY  |
| 23123   | TRY-110A-S-2C | TTI  | TTI Relay | 27.3*21.0*35.5mm | DPDT                | 7A 250VAC/30VDC | 110VAC       | UL                | TRY  |
| 23124   | TRY-12D-P-2C  | TTI  | TTI Relay | 27.3*21.0*35.5mm | DPDT                | 7A 250VAC/30VDC | 12VDC        | UL                | TRY  |
| 23125   | TRY-12D-S-2C  | TTI  | TTI Relay | 27.3*21.0*35.5mm | DPDT                | 7A 250VAC/30VDC | 12VDC        | UL                | TRY  |
| 23126   | TRY-12D-S-4C  | TTI  | TTI Relay | 27.3*21.0*35.5mm | 4PDT                | 5A 250VAC/30VDC | 12VDC        | UL                | TRY  |
| 23127   | TRY-220A-S-2C | TTI  | TTI Relay | 27.3*21.0*35.5mm | DPDT                | 7A 250VAC/30VDC | 220VAC       | UL                | TRY  |
| 23128   | TRY-24A-S-2C  | TTI  | TTI Relay | 27.3*21.0*35.5mm | DPDT                | 7A 250VAC/30VDC | 24VAC        | UL                | TRY  |
| 23130   | TRY-24D-P-2C  | TTI  | TTI Relay | 27.3*21.0*35.5mm | DPDT                | 7A 250VAC/30VDC | 24VDC        | UL                | TRY  |
| 23131   | TRY-24D-P-4C  | TTI  | TTI Relay | 27.3*21.0*35.5mm | 4PDT                | 5A 250VAC/30VDC | 24VDC        | UL                | TRY  |
| 23132   | TRY-24D-S-2C  | TTI  | TTI Relay | 27.3*21.0*35.5mm | DPDT                | 7A 250VAC/30VDC | 24VDC        | UL                | TRY  |
| 23133   | TRY-24D-S-4CL | TTI  | TTI Relay | 27.3*21.0*35.5mm | 4PDT                | 5A 250VAC/30VDC | 24VDC        | UL                | TRY  |

## NEC\_PCB继电器

详细产品规格 - 请点击 [cn.100y.com.tw](http://cn.100y.com.tw)



**特点:**

1. 强化绝缘 5,000 V type  
超过0.4 毫米内部绝缘距离在输入和输出之间,依照 EN41003, EN60950 (强化绝缘).
2. Compact 8-pin DIP size  
设备简洁  
(W)6.4×(L)9.86×(H)3.2 mm  
(W).252×(L).388×(H).126 inch,  
8-pin DIP size (通过孔终端类型).
3. 可适用至于2 个形式A 使用以及二独立1 个形式A 用途

4. 控制低级模拟信号

相片MOS 传递特点极端低闭路垂距电压使能低级模拟信号控制没有畸变。

5. 高敏感性, 高速反应。

能控制最大0.14 A 装载潮流以5 mA 输入电流。快速操作速度 0.5 ms (typical). (AQW210EH)

6. 低级状态漏电

**典型的应用**

- 调制解调器
- 电话设备
- 安全设备
- 传感器

| 100Y 编号 | 厂商编号     | 制造厂商 | 说明                          | Contact Arrangement | Contact Rating | Coil Voltage | Recognized Safety | Outline L*W*H            | Type     |
|---------|----------|------|-----------------------------|---------------------|----------------|--------------|-------------------|--------------------------|----------|
| 47293   | AQW216EH | NAIS | NAIS_继电器 DIP-8P 600V / 40mA | 2 Form A            | 600V / 40mA    | 600V         | UL,C-UL,BSI       | (W)6.4×(L)9.86×(H)3.2 mm | AQW216EH |



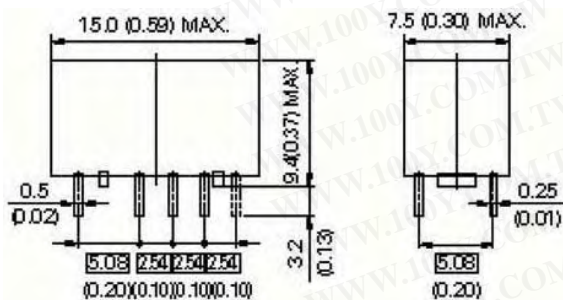
**特点:**

- 紧密, 重量轻
- 2 form C触点安排
- 低电力消耗
- 约化装备空间: 15 mm x 7.5 mm
- 高故障电压触点线圈: 1500 Vac, 2500 V (2 x 10 μs\*)
- 有能力高功率开关: 700 Vac, 4.2 A, 4次防止意外
- UL 认可 (E73266), CSA certified (Lr46266)
- Certified to EN 60950

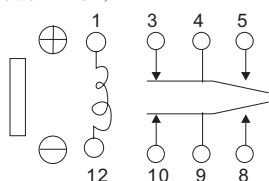


**SPECIFICATIONS**

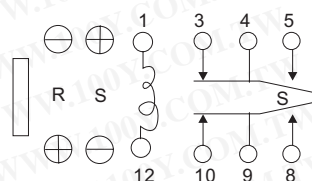
| 型号      | 2 form C  |
|---------|---|
| 触点材质    | 银色合金与合金覆盖物  |
| 动作时间    | Approximately 2 ms without diode  |
| 释放时间    | Approximately 1 ms without diode  |
| 绝缘电阻    | 1000 MOhm at 500 Vdc  |
| 冲击电阻    | 735 m/s <sup>2</sup> (75 G) (misoperating)<br>980 m/s <sup>2</sup> (100G) (destructive failure)                             |
| 初触点电阻   | 50 mOhm typical   |
| 环境温度    | -40 to +85°C  |
| 振动电阻    | 10 to 55 Hz, double amplitude 3 mm (20 G) (misoperating)<br>10 to 55 Hz, double amplitude 5 mm (30 G) (destructive failure) |
| 线圈温度上升  | 18 degrees at nominal coil voltage (140mW)  |
| 最小触点规定值 | 100 mVdc, 100 μA  |
| 重量      | 约 1.9 g   |



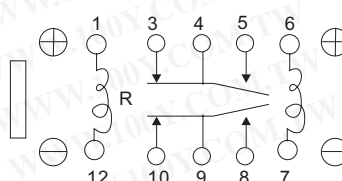
(Bottom view)



Non latch type (not energized position)



Single coil latch type (reset position)



Double coil latch type (reset position)

