

继电器+电磁阀

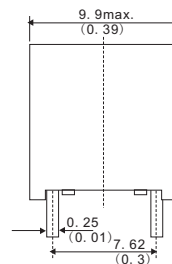
OMRON_PCB继电器

详细产品规格 - 请点击 cn.100y.com.tw



特点

- 触点电阻: 50 mΩ max.
- 反跳时间: Operate: Approx. 0.5 ms
Release: Approx. 0.5 ms
- 操作频率: Mechanical: 36,000 operations/hour
Electrical: 18,000 operations/hour (under rated load)
- 振动: 机械耐久性: 10 to 55 Hz; 1.50 mm (0.06 in) double amplitude
Malfunction durability: 10 to 55 Hz; 1.50 mm (0.06 in) double amplitude
- 震动: 机械耐久性: Approx. 100 G
Malfunction durability: Approx. 30 G
- 环境温度: -40 to 70°C (-40° to 158°F)
- 湿度: 45% to 85% RH
- 重量: Approx. 3 g (0.11 oz)



100Y 编号	厂商编号	制造厂商	说明	Outline L*W*H	Contact Arrangement	Contact Rating	Coil Voltage	Recognized Safety	Type
35765	G5A-234P-DC48V	OMRON	Low Signal Relay	8.40 H x 9.90 W x 16 L mm	DPDT	1 A, 30 VDC 0.5 A, 60 VAC	48 VDC	UL, CSA	G5A
41635	G5A-234PH	OMRON	Low Signal Relay	8.40 H x 9.90 W x 16 L mm	DPDT	1 A, 30 VDC 0.5 A, 60 VAC	1.5 to 48 VDC	UL, CSA	G5A
41634	G5A-237P-FC	OMRON	Low Signal Relay	8.40 H x 9.90 W x 16 L mm	DPDT	1 A, 30 VDC 0.5 A, 60 VAC	1.5 to 48 VDC	UL, CSA	G5A
41638	G5A-237PH	OMRON	Low Signal Relay	8.40 H x 9.90 W x 16 L mm	DPDT	1 A, 30 VDC 0.5 A, 60 VAC	1.5 to 48 VDC	UL, CSA	G5A
41636	G5AU-237PH	OMRON	Low Signal Relay	8.40 H x 9.90 W x 16 L mm	DPDT	1 A, 30 VDC 0.5 A, 60 VAC	1.5 to 48 VDC	UL, CSA	G5A



OMRON 5A 12V G5L型 电源继电器

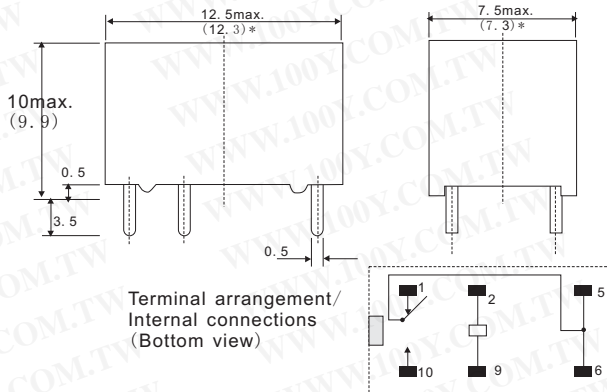
100Y 编号	厂商编号	制造厂商	说明	Outline L*W*H	Contact Arrangement	Contact Rating	Coil Voltage	Recognized Safety	Type
37176	G5L-117P-DC12V	OMRON	OMRON 5A 12V G5L型 电源继电器	22.5*16.5*19	1FROM C	5A 120VAC/5A 30VDC	12V	UL, CSA	G5L
37186	G5L-117P-DC24V	OMRON	OMRON 5A 24V G5L型 电源继电器	22.5*16.5*19	1FROM C	5A 120VAC/5A 30VDC	24V	UL, CSA	G5L



- Ultra-miniature at 12.5 x 7.5 x 10 mm (L x W x H).
- 1 mA到1 A 的宽开关功率
- 高敏感性: 150-mW nominal coil power.
- 全封闭外壳
- International 2.54-mm terminal pitch.
- 依照FCC第68部分线组触点。

特点:

- 触点电阻: 100 mΩ max.
- 动作时间: 5 ms max. (mean value: approx. 2.5 ms)
- 释放时间: 5 ms max. (mean value: approx. 0.9 ms)
- 反跳时间: Operate: approx. 0.2 ms Release: approx. 5 ms
- 操作频率 (Max): Mechanical: 36,000 operations/hr
Electrical: 1,800 operations/hr (under rated load)
- 绝缘阻抗: 1,000 M min. (at 500 VDC between coil and contacts, at 250 VDC between contacts of same polarity.)
- 电介质强度: 1,000 VAC, 50/60 Hz for 1 min between coil and contacts
400 VAC, 50/60 Hz for 1 min between contacts of same polarity



- 冲量承受电压: 1,500 V (10 x 160 μs) 在同样极触点之间 (conforms to FCC Part 68)
- 环境温度: Operating: 40°C to 70°C (with no icing)
- 环境湿度: Operating: 5% to 85%
- 重量: Approx. 2 g

100Y 编号	厂商编号	制造厂商	说明	Outline L*W*H	Contact Arrangement	Contact Rating	Coil Voltage	Recognized Safety	Type
35716	G5V-1-DC12V	OMRON	继电器 12V	12.5mm x 7.5mm x 10mm	SPDT	0.5A at 125 VAC 1 A at 24 VDC	3 to 24 VDC	UL, CSA	PCB Relay
37193	G5V-1-DC24V	OMRON	OMRON 1A 24V 电路板用 G5V-1型 继电器	7.5*12.5*10	1 FROM C	0.5A 125VAC/1A 24VDC	24V	UL, CSA	G5V-1
37195	G5V-1-DC5V	OMRON	OMRON 1A 5V 电路板用 G5V-1型 继电器	7.5*12.5*10	1 FROM C	0.5A 125VAC /1A 24VDC	5V	UL, CSA	G5V-1



特点:

- 触点电阻: 50 mΩ max. G5V-2, G5V-2-H, 100 mΩ max. G5V-2-H1
- 动作时间: 7 ms max. (mean value: approx. 3.5 ms)
- 释放时间: 3 ms max. (mean value: approx. 0.8 ms)
- 反跳时间: Operate: Mean value: approx. 0.5 ms
Release: Mean value: approx. 3.5 ms
- 操作频率: Mechanical: 36,000 operations/hour
Electrical: 1,800 operations/hour (under rated load)
- 绝缘阻抗: 1,000 MΩ min (at 500 VDC)
- 浪涌承受电压: 1,500 V 10 X 160 μs (conforms to part 68 of FCC rules)
- 振动: 10 to 55 Hz, 1.50 mm (0.59 in) double amplitude

- 适合处理计算机外围里低信号, 电信和安全设备。
- 能在开关上装载 2 A.
- 依照 FCC 部分 68 1500 V 浪涌承受。
- 可靠的分枝的标志横线触点。
- 全封闭外壳。
- RoHS 服从。

- 震动: 机械耐久性: 1,000 m/s² (approx. 100 G)
Malfunction耐久性: 200 m/s² (approx. 20 G),
100 m/s² (approx. 10 G) 为超敏感型
- 环境温度: 操作/存贮 -25° to 70°C (-13° to 158°F)
- 湿度: 35% to 85% RH
- 重量: 6 g (0.21 oz)



服务专线: 台湾: 886-3-5753170
传 真: 台湾: 886-3-5753172
E-mail: 台湾: sale@100y.com.tw

深圳: 86-755-83298787
深圳: 86-755-83640655
深圳: 100y@163.com

上海: 86-21-34970699
上海: 86-21-64605107
上海: 100y-1@163.com