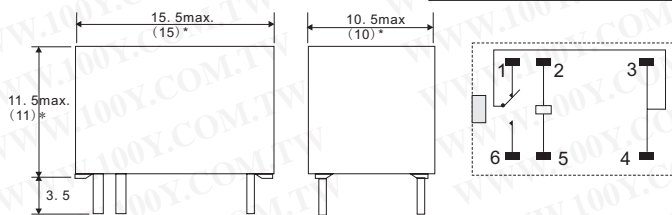


继电器+电磁阀

OMRON_PCB继电器

详细产品规格 - 请点击 cn.100y.com.tw



100Y 编号	厂商编号	制造厂商	说明	Outline L*W*H	Contact Arrangement	Contact Rating	Coil Voltage	Recognized Safety	Type
36546	G2E-184P-M-US-DC1.5V	OMRON	OMRON_PCB 继电器	15.5mm x 10.5mm x 11.5mm	SPDT	0.5A at 110 VAC, 1 A at 24 VDC	1.5VDC	UL, CSA	Miniature, Low-cost, Single-pole PCB
35761	G2E-184P-M-US-DC1.2V	OMRON	PCB Relay	15.5mm x 10.5mm x 11.5mm	SPDT	0.5A at 110 VAC, 1 A at 24 VDC	12 VDC	UL, CSA	Miniature, Low-cost, Single-pole PCB
32683	G2E-184P-M-US-DC2.4V	OMRON	OMRON PCB Relay	15.5mm x 10.5mm x 11.5mm	SPDT	0.5A at 110 VAC, 1 A at 24 VDC	24VDC	UL, CSA	Miniature, Low-cost, Single-pole PCB
36547	G2E-184P-M-US-DC3V	OMRON	PCB Relay	15.5mm x 10.5mm x 11.5mm	SPDT	0.5A at 110 VAC, 1 A at 24 VDC	3VDC	UL, CSA	Miniature, Low-cost, Single-pole PCB
36548	G2E-184P-M-US-DC5V	OMRON	PCB Relay	15.5mm x 10.5mm x 11.5mm	SPDT	0.5A at 110 VAC, 1 A at 24 VDC	5 VDC	UL, CSA	Miniature, Low-cost, Single-pole PCB
36549	G2E-184P-M-US-DC6V	OMRON	PCB Relay	15.5mm x 10.5mm x 11.5mm	SPDT	0.5A at 110 VAC, 1 A at 24 VDC	6 VDC	UL, CSA	Miniature, Low-cost, Single-pole PCB
36550	G2E-184P-M-US-DC9V	OMRON	PCB Relay	15.5mm x 10.5mm x 11.5mm	SPDT	0.5A at 110 VAC, 1 A at 24 VDC	9VDC	UL, CSA	Miniature, Low-cost, Single-pole PCB



For E5系列温控器维修用 Relay



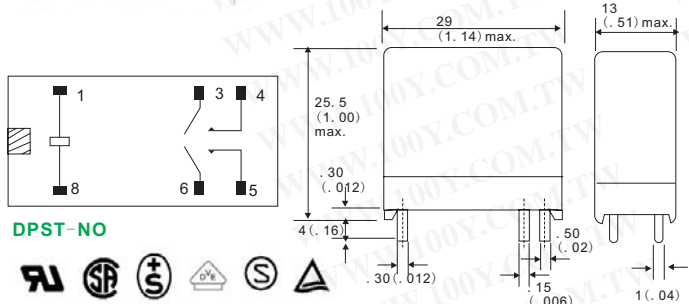
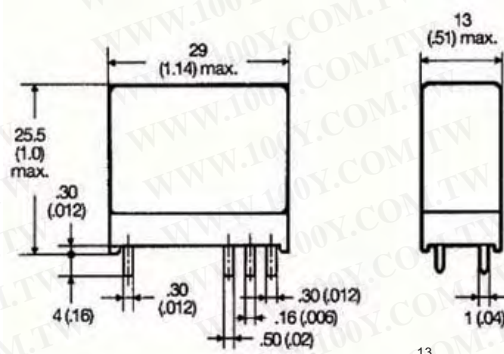
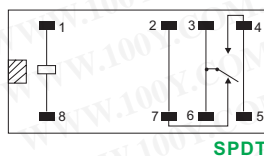
100Y 编号	厂商编号	制造厂商	说明	Outline L*W*H	Contact Rating	Coil Voltage	Recognized Safety	Type
11629	E-53R-DC24V	OMRON	For E5 系列温控器维修用 Relay	20*14.5*9.5mm	250VAC/5A	24VDC	CSA	E-53



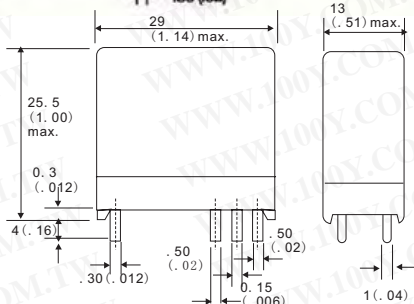
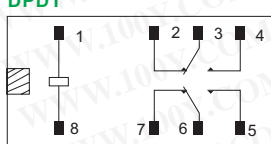
- 移动距离8.0 毫米(0.31) min. 在线材和触点之间。
- 利用双重绕锁上型。
- 利用插入和快连接终端。
- 利用高敏感性(360 兆瓦)和高容量(16 A) 型。
- 高度稳定的磁性电路为锁上的耐力和对振动震动良好抵抗。
- 针对安全的设计保证高浪涌抵抗: 10,000 V min. 在线材和触点之间。
- UL, CSA approved, marked with CE.



终端安排/内部连接 (底视图)



DPST-NO



100Y 编号	厂商编号	制造厂商	说明	Outline L*W*H	Contact Arrangement	Contact Rating	Coil Voltage	Recognized Safety	Type
14874	G2R-1-E-DC12V	OMRON	"OMRON" POWER RELAY	28.6*12.6*24.9	SPDT	16A 250VDC/16A 30VDC	12VDC	CSA,VDE	
32684	G2R-1-E-DC5V	OMRON	"OMRON" POWER RELAY	28.6*12.6*24.9	SPDT	16A 5VDC/16A 380VAC	5VDC		
32916	G2R-2-DC12V	OMRON	"OMRON" Power PCB Relay		DPDT	3 to 110 VDC/3 to 240 VAC	12 VDC		G2R
42670	G2R-2-DC24V	OMRON	继电器	29*13*25.5mm	DPDT	3 to 110 VDC/3 to 240 VAC	24VDC		G2R
39008	G2R-2-H-DC4.8V	OMRON	"OMRON" POWER RELAY	29*13*29	DPDT	16A 250VAC/16A 30VDC	48VDC	UL,CSA,CE	G2R
40721	G2R-2-SND-DC24V	OMRON	"OMRON" Power PCB Relay	29*13*25.5mm	DPDT	3 to 110 VDC/3 to 240 VAC	12 VDC		G2R
32685	G2R-2A-DC5V	OMRON	"OMRON" POWER RELAY	25.5*13*29	DPST-NO	5A 5VDC/16A 380VAC	5VDC		



服务专线: 台湾: 886-3-5753170
 传 真: 台湾: 886-3-5753172
 E-mail: 台湾: sale@100y.com.tw

深圳: 86-755-83298787
 深圳: 86-755-83640655
 深圳: 100y@163.com

上海: 86-21-34970699
 上海: 86-21-64605107
 上海: 100y-1@163.com