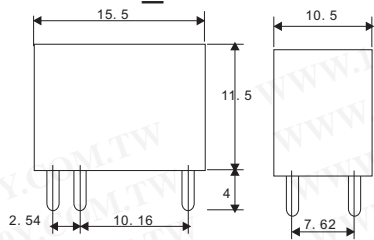


继电器+电磁阀

RAYEX_PCB继电器



一般数据

绝缘抗阻: 100 MW Min. (DC 500V)
 电介质强度: 500 VAC, 50/60Hz between contact.
 500 VAC, 50/60Hz between all elements.
 触点材质: Silver- Cadmium Oxide as standard.
 触点电阻: 100 milliohms max. (initial value)
 震动电阻: Malfunction: 10G(11ms); Destructive: 100G(6ms)
 振动电阻: Malfunction: 10 to 55 Hz. at Double Amplitude of 1.5 mm
 Destructive: 10 to 55 Hz. at Double Amplitude of 1.5 mm

动作时间: 6 ms max.
 释放时间: 3 ms max.
 温度范围: -25°C~+40°C
 理想寿命: With operation rate 30/min.
 Mechanical - 10,000,000 operations min.
 Electrical - 100,000 operations min. at rated load.
 重量: 3 grams

详细产品规格 - 请点击 cn.100y.com.tw

| 100Y 编号 | 厂商编号 | 制造厂商 | 说明 | Outline L*W*H | Contact Arrangement | Contact Rating | Coil Voltage | Recognized Safety | Type |
|---------|--------|-------|---------|----------------|---------------------|---------------------|--------------|-------------------|------|
| 5148 | LU-12 | RAYEX | PCB 继电器 | 15.5*10.5*11.2 | 1PDT | AC120V 1A DC24V 2A | 12Vdc | UL,CUL | LU |
| 2269 | LU-24 | RAYEX | PCB 继电器 | 15.5*10.5*11.2 | 1PDT | 120Vac/1A, 24Vdc/2A | 24Vdc | UL | LU |
| 3603 | LU-3 | RAYEX | PCB 继电器 | 15.5*10.5*11.2 | 1PDT | 120Vac/1A, 24Vdc/2A | 3Vdc | UL | LU |
| 3602 | LU-5 | RAYEX | PCB 继电器 | 15.5*10.5*11.2 | 1PDT | 120Vac/1A, 24Vdc/2A | 5Vdc | UL | LU |
| 7682 | LUZ-12 | RAYEX | PCB 继电器 | 15.5*10.5*11.2 | 1PDT | 120Vac/1A 24Vdc/2A | 12Vdc | UL, CUL | LUZ |
| 2274 | LUZ-5 | RAYEX | PCB 继电器 | 15.5*10.5*11.2 | 1PDT | 1A 120Vac/ 2A 24Vdc | 5Vdc | UL | LUZ |

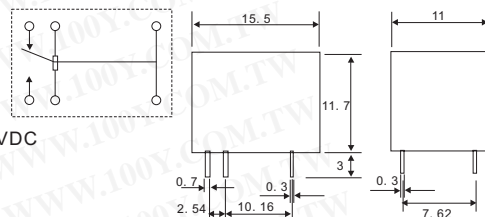


特点:

- 低卷电力消耗
- 小尺寸, 成本低
- 利用密封型
- P. C. B. mounting, DIL pitch terminal

规格

触点形式: 1 form C
 触点材质: Ag/AgCdO
 触点电阻: Max. 100m ohm
 动作时间: 5mS
 释放时间: 5mS
 绝缘抗阻: Min. 100M ohm at 500VDC
 振动: 10~55Hz D. A. 1.5mm
 震动电阻: 10G
 工作温度: -25°C~+55°C
 重量: approx. 4g



| 100Y 编号 | 厂商编号 | 说明 | Outline L*W*H | Contact Arrangement | Contact Rating | Coil Voltage | Recognized Safety | Type |
|---------|----------------|---------|---------------|---------------------|-----------------------|--------------|-------------------|-------|
| 2774 | N4100-HS3-DC5V | PCB 继电器 | 11.7*15.5*11 | SPTD | 3A 1250Vac / 3A 30Vdc | 5 | UL | N4100 |

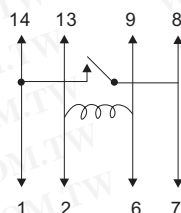


线材:

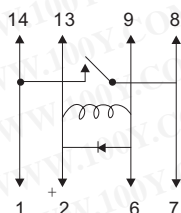
启动电压: 85% of nominal voltage or less
 释放电压: 10% of nominal voltage or more
 最大电压: 110% of nominal voltage
 电阻: ±10% measured @ 25°C
 卷功率: See chart
 负载: Continuous

温度:

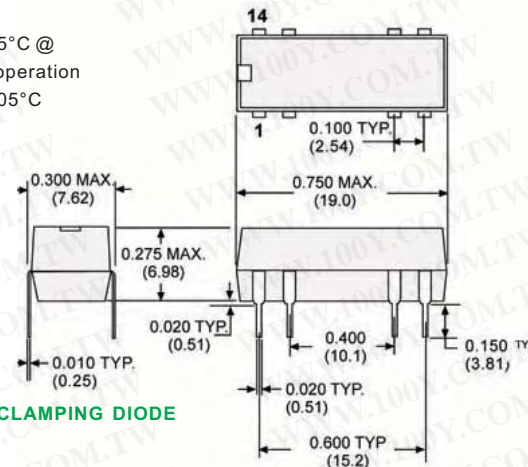
操作: -40°C to +85°C @ rated operation
 贮存: -40°C to +105°C



SPST-N.O.



SPST-N.O. WITH CLAMPING DIODE



时间
 动作时间: 1 mS or less @ nominal voltage.
 释放时间: 1 mS or less @ nominal voltage.

触点
 触点材质: Rhodium
 触点电阻: 200 milliohms max.
 触点额定值: 0.5 amp 100 VDC (10VA)
 1.5 amps max. 连续运载电流

| 100Y 编号 | 厂商编号 | 说明 | Outline L*W*H | Contact Rating | Type |
|---------|---------|-----------------------------------|---------------|--|--------|
| 20837 | W107DIP | DUAL IN - LINE PACKAGE REED RELAY | 19*7.62*6.98 | 0.5 amp 100 VDC (10VA) / 1.5 amps max. Continuous carry current. | 107DIP |

OMRON_PCB继电器



G2E

特点:

触点电阻: 50 mΩ max.
 动作时间: General-purpose type: 5 ms max. (mean value: approx. 2.5 ms)
 High-sensitivity type: 7 ms max. (mean value: approx. 3.5 ms)
 释放时间: 1 mS or less @ nominal voltage.: 3 ms max. (mean value: approx. 0.8 ms)
 最大的操作频率: Mechanical: 18,000 operations/hr
 Electrical: 1,800 operations/hr (under rated load)
 绝缘阻抗: 100 MΩ min. (at 500VDC)
 电介质承受电压: 500 VAC, 50/60 Hz for 1 min between coil and contacts
 500 VAC, 50/60 Hz for 1 min between contacts of same polarity
 环境温度: Operating: 25°C to 60°C (with no icing) (high-sensitivity type: 25°C to 65°C)
 环境湿度: Operating: 5% to 85%
 重量: Approx. 3.7 g

- 微型: 15.5 x 10.5 x 11.5 mm (L x W x H).
- 低电力消耗: 200 mW.
- 分枝的标志横线触点
- 镀金触点。
- 充分密封型。
- 理想为电信设备和保安系统。

详细产品规格 - 请点击 cn.100y.com.tw



服务专线: 台湾: 886-3-5753170
 传 真: 台湾: 886-3-5753172
 E-mail: 台湾: sale@100y.com.tw

深圳: 86-755-83298787
 深圳: 86-755-83640655
 深圳: 100y@163.com

上海: 86-21-34970699
 上海: 86-21-64605107
 上海: 100y-1@163.com