

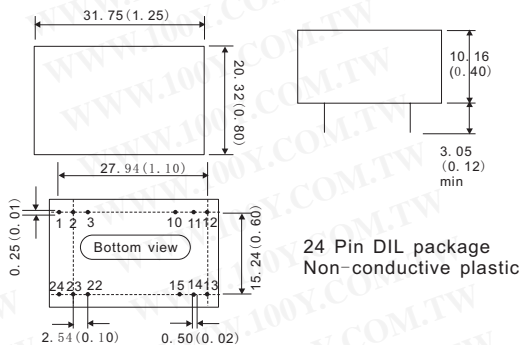
电源供应器+转换器+UPS

MOTIEN_直流转直流-双组电源转换器

详细产品规格 - 请点击 cn.100y.com.tw



规格:
 输入电压: 4.5~9Vdc
 输入电流 (No load): 40mA, typ.
 输出电压: ±15Vdc, ±1%
 输出电流 (Min load): ±25mA, Min
 输出电流 (Full load): ±100mA, Max
 短路保护: 连续
 效率: 70%, Min
 隔离电容: 60 pF, Typ
 操作温度: -40°C~85°C
 存储温度: -40°C~125°C
 冷却: 自由空气对流



PIN #	DESCRIPTION
1, 24	+V Input
2, 23	-V Output
3, 22	Common
10, 15	Common
11, 14	+V Output
12, 13	-V Input



100Y 编号	厂商编号	制造厂商	说明	DCVout	Current	DCVout	Current	Watts	Efficiency %	DCVin
48485	R6-0515D3	MOTIEN	DC/DC 双组电源转换器	-15V	-100mA	+15V	+100mA	3W	70%	4.5~9V
39801	RD-0505D3	MOTIEN	DC/DC 双组电源转换器(=TRACO_TEN3-0521)	-5V	-600mA	+5V	+600mA	3W	76%-82%	5V



特点:

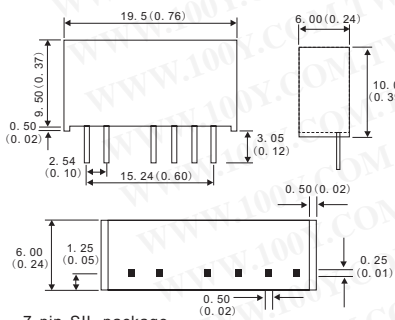
- 7 Pin SIL/14 Pin DIL 包装
- 1000 VDC 隔离
- Up to 6000VDC 隔离
- 低波纹和噪声
- 效率高达 85%
- -40~85°C 操作温度范围
- 非导电性黑塑料盒

物理规格
 重量: 2.7g
 直径: SIP Case 0.24"x0.46"x0.38"
 DIP Case 0.50"x0.40"x0.27"
一般规格
 安全标准: IEC 60950-1:2001/EN60950/UL60950
环境规格
 操作温度: -40°C~85°C

输出规格
 电压准确性: ±3%
 波纹 & 噪声 (20 Mhz带宽): 60mV pk-pk

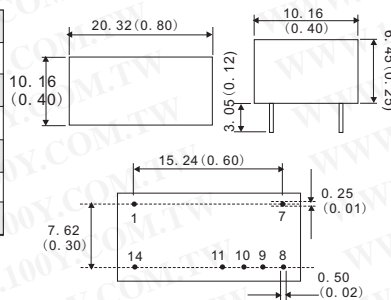


V1 Series



PIN NUMBER	SINGLE	DUAL	SINGLE -H	DUAL -H
1	+V Input	+V Input	+V Input	+V Input
2	-V Input	-V Input	-V Input	-V Input
4	-V output	-V output	N. P.	N. P.
5	N. P.	Common	-V output	-V output
6	+V output	+V output	N. P.	Common
7	N. P.	N. P.	+V output	+V output

7 Pin SIL Package



PIN NUMBER	SINGLE	DUAL	SINGLE -H	DUAL -H
1	-V Input	-V Input	-V Input	-V Input
7	N. C.	N. C.	N. C.	N. C.
8	N. P.	Common	+V output	+V output
9	+V output	+V output	N. P.	Common
10	N. P.	N. P.	-V output	-V output
11	-V output	-V output	N. P.	N. P.
14	+V Input	+V Input	+V Input	+V Input

14 Pin DIL Package

100Y 编号	厂商编号	制造厂商	说明	DCVout	Current	DCVout	Current	Watts	Efficiency %	DCVin
39946	V1-0505D	MOTIEN	DC/DC 双组电源转换器(=C&D_NMA 0505 D)	-5.0V	-100mA	+5.0V	+100mA	1W	74%	5V
39962	V1-0505SH	MOTIEN	DC/DC 双组电源转换器(=C&D_NMV 0505S)	-5V	-100mA	+5V	+100mA	1W	74%	5V
39947	V1-0512D	MOTIEN	DC/DC 双组电源转换器(=C&D_NMA 0512 D)	-12.0V	-41.67mA	+12.0V	+41.67mA	1W	78%	5V
39963	V1-0512SH	MOTIEN	DC/DC 双组电源转换器(=C&D_NMV 0512S)	-12V	-41.67mA	+12V	+41.67mA	1W	78%	5V
39948	V1-0515D	MOTIEN	DC/DC 双组电源转换器(=C&D_NMA 0515 D)	-15.0V	-33.33mA	+15.0V	+33.33mA	1W	80%	5V
38697	V1-0515S07	MOTIEN	V1-0515S07-C&D HPR105	+15VDC	+25mA	-15VDC	-25mA	0.75W	77%	5VDC
39964	V1-0515SH	MOTIEN	DC/DC 双组电源转换器(=C&D_NMV 0515S)	-15V	-33.33mA	+15V	+33.33mA	1W	80%	5V
39950	V1-1205D	MOTIEN	DC/DC 双组电源转换器(=C&D_NMA 1205 D)	-5.0V	-100mA	+5.0V	+100mA	1W	75%	12V
39965	V1-1205SH	MOTIEN	DC/DC 双组电源转换器(=C&D_NMV 1205S)	-5V	-100mA	+5V	+100mA	1W	75%	12V
39951	V1-1212D	MOTIEN	DC/DC 双组电源转换器(=C&D_NMA 1212 D)	-12V	-41.67mA	+12V	+41.67mA	1W	78%	12V
39966	V1-1212SH	MOTIEN	DC/DC 双组电源转换器(=C&D_NMV 1212S)	-12V	-41.67mA	+12V	+41.67mA	1W	78%	12V
39953	V1-1215D	MOTIEN	DC/DC 双组电源转换器(=C&D_NMA 1215 D)	-15V	-33.33mA	+15V	+33.33mA	1W	78%	12V
39954	V1-2405D	MOTIEN	DC/DC 双组电源转换器(=C&D_NMA 2405 D)	-5V	-100mA	+5V	+100mA	1W	72%	24V
39955	V1-2412D	MOTIEN	DC/DC 双组电源转换器(=C&D_NMA 2412 D)	-12V	-41.67mA	+12V	+41.67mA	1W	78%	24V
39956	V1-2415D	MOTIEN	DC/DC 双组电源转换器(=C&D_NMA 2415 D)	-15V	-33.33mA	+15V	+33.33mA	1W	75%	24V



特点:

- 7 Pin SIL/14 Pin DIL 包装
- 1000 VDC 隔离
- Up to 6000VDC 隔离
- 低波纹和噪声
- 效率高达 85%
- -40~85°C 操作温度范围
- 非导电性黑塑料盒

物理规格
 重量: 2.7g
 直径: SIP Case 0.24"x0.46"x0.38"
 DIP Case 0.50"x0.40"x0.27"
一般规格
 安全标准: IEC 60950-1:2001/EN60950/UL60950
环境规格
 操作温度: -40°C~85°C

输出规格
 电压准确性: ±3%
 波纹 & 噪声 (20 Mhz带宽): 60mV pk-pk



V3 Series



服务专线: 台湾: 886-3-5753170
 传 真: 台湾: 886-3-5753172
 E-mail: 台湾: sale@100y.com.tw

深圳: 86-755-83298787
 深圳: 86-755-83640655
 深圳: 100y@163.com

上海: 86-21-34970699
 上海: 86-21-64605107
 上海: 100y-1@163.com