

电源供应器+转换器+UPS

直流转直流-单组电源转换器

详细产品规格 - 请点击 cn.100y.com.tw



MIW4000 Series

规格:

运行温度: 四周: -25°C~+71°C Case: -40°C~+90°C

存储温度: -40°C~+125°C

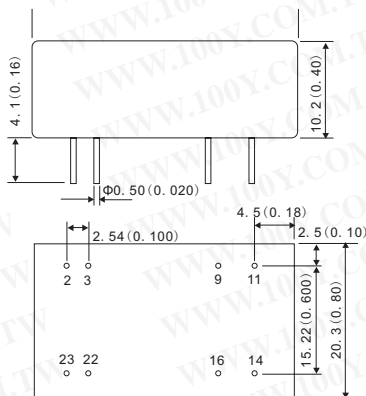
短路保护连续

负载变动率: $I_o=10\%$ to 100% Typ. $\pm 0.3\%$ Max. $\pm 1.0\%$

波纹 & 噪声(20MHz): Max: 15mV rms.

特点:

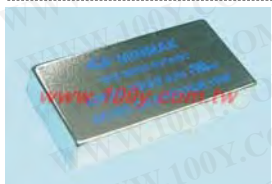
- 效率高达 86%
- 大功率密度
- 4:1 Input Range
- I/O Isolation 1500VDC
- 业界标准插脚引线
- SMT技术
- 短路保护
- EMI Complies With EN55022 Class A
- MTBF > 1,000,000 Hours



Pin	Single output	Dual output
2	-Vin	-Vin
3	-Vin	-Vin
9	No Pin	Common
11	NC	-Vout
14	+Vout	+Vout
16	-Vout	Common
22	+Vin	+Vin
23	+Vin	+Vin



100Y 编号	厂商编号	制造厂商	说明	DCVout	DCVin	Current	Watts	Efficiency %
18397	MIW4022	MINMAX	4:1 Wide Input Range DC/DC Converters	5VDC	24VDC	100-1000mA	5-6W	81%
30307	MIW4027	MINMAX	4:1 Wide Input Range DC/DC Converters	± 15 VDC	24VDC	$\pm 20 \pm 200$ mA	5-6W	85%
41355	MIW4032	MINMAX	直流转直流-单组电源转换器	48VDC	48VDC	100-1000mA	5-6W	81%
41356	MIW4037	MINMAX	直流转直流-单组电源转换器	48	48	+ - 10mA	5-6W	85%



MKW1000 Series

规格:

运行温度: 四周: -40°C~+71°C Case: -40°C~+90°C

存储温度: -40°C~+125°C

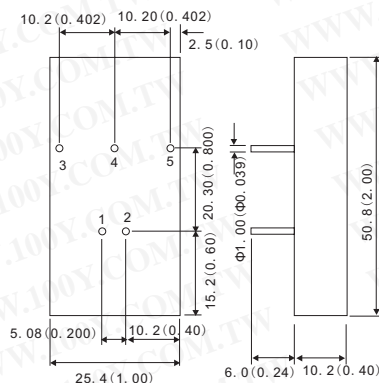
短路保护连续

负载变动率: $I_o=10\%$ to 100% Typ. $\pm 0.1\%$ Max. $\pm 0.5\%$

波纹 & 噪声(20MHz): Max: 15mV rms.

特点:

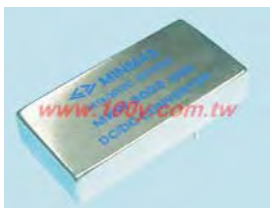
- 效率高达 83%
- 2:1 Input Range
- I/O Isolation 1500VDC
- SMT 技术
- 短路保护
- 业界标准插脚引线
- EMI Complies With EN55022 Class A
- Six-Side Shielded Case
- MTBF > 700,000 Hours



Pin	Single output	Dual output
1	+Vin	+Vin
2	-Vin	-Vin
3	+Vout	+Vout
4	No Pin	Common
5	-Vout	-Vout



100Y 编号	厂商编号	制造厂商	说明	DCVout	DCVin	Current	Watts	Efficiency %
21390	MKW1021	MINMAX	2:1 Wide Input Range DC/DC Converters	3.3VDC	12VDC(9~18Vin)	120~2400mA	10W	72%
21391	MKW1022	MINMAX	2:1 Wide Input Range DC/DC Converters	5VDC	12VDC(9~18Vin)	100~2000mA	10W	77%
21392	MKW1023	MINMAX	2:1 Wide Input Range DC/DC Converters	12VDC	12VDC(9~18Vin)	42~830mA	10W	80%
21393	MKW1024	MINMAX	2:1 Wide Input Range DC/DC Converters	15VDC	12VDC(9~18Vin)	34~670mA	10W	80%
21395	MKW1025	MINMAX	2:1 Wide Input Range DC/DC Converters	24VDC	12VDC(9~18Vin)	21~416mA	10W	81%
21399	MKW1031	MINMAX	2:1 Wide Input Range DC/DC Converters	3.3VDC	24VDC(18~36Vin)	120~2400mA	10W	76%
18401	MKW1032	MINMAX	2:1 Wide Input Range DC/DC Converters	5VDC	24VDC	100~2000mA	10W	78%
20123	MKW1033	MINMAX	2:1 Wide Input Range DC/DC Converters	12VDC	24VDC(18~36Vin)	42~830mA	10W	82%
21401	MKW1034	MINMAX	2:1 Wide Input Range DC/DC Converters	15VDC	24VDC(18~36Vin)	34~670mA	10W	82%
21402	MKW1035	MINMAX	2:1 Wide Input Range DC/DC Converters	24VDC	24VDC(18~36Vin)	21~416mA	10W	83%
21405	MKW1041	MINMAX	2:1 Wide Input Range DC/DC Converters	3.3VDC	48VDC(36~75Vin)	120~2400mA	10W	76%
21406	MKW1042	MINMAX	2:1 Wide Input Range DC/DC Converters	5VDC	48VDC(36~75Vin)	100~2000mA	10W	80%
21407	MKW1043	MINMAX	2:1 Wide Input Range DC/DC Converters	12VDC	48VDC(36~75Vin)	42~830mA	10W	82%
21408	MKW1044	MINMAX	2:1 Wide Input Range DC/DC Converters	15VDC	48VDC(36~75Vin)	34~670mA	10W	83%
21409	MKW1045	MINMAX	2:1 Wide Input Range DC/DC Converters	24VDC	48VDC(36~75Vin)	21~416mA	10W	83%



MKW1045 Series

规格:

运行温度: 四周: -40°C~+50°C Case: -40°C~+105°C

存储温度: -40°C~+125°C

短路保护连续

负载变动率: $I_o=10\%$ to 100% Typ. $\pm 0.1\%$ Max. $\pm 0.5\%$

波纹 & 噪声(20MHz): Max: 10mV rms.

特点:

- 超高效率高达 89%
- 2:1 Input Range
- I/O Isolation 1500VDC
- 远开关控制
- 软启动
- 短路保护
- 定电压保护
- 业界标准插脚引线
- 六边铠装盒
- EMI Complies With En55022 Class A
- MTBF > 800,000 Hours

规格:

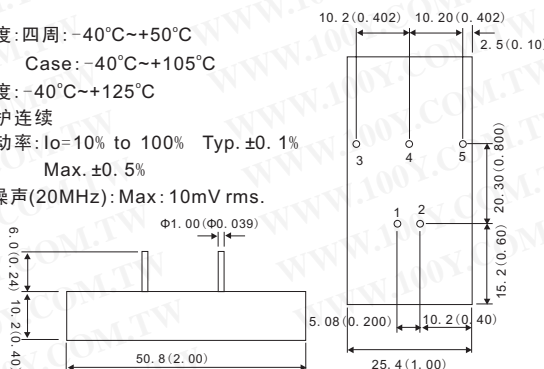
运行温度: 四周: -40°C~+50°C Case: -40°C~+105°C

存储温度: -40°C~+125°C

短路保护连续

负载变动率: $I_o=10\%$ to 100% Typ. $\pm 0.1\%$ Max. $\pm 0.5\%$

波纹 & 噪声(20MHz): Max: 10mV rms.



Pin	Single output	Dual output
1	+Vin	+Vin
2	-Vin	-Vin
3	+Vout	+Vout
4	No Pin	Common
5	-Vout	-Vout
6	Remote on/off	Remote on/off



服务专线: 台湾: 886-3-5753170

传 真: 台湾: 886-3-5753172

E-mail: 台湾: sale@100y.com.tw

深圳: 86-755-83298787

深圳: 86-755-83640655

深圳: 100y@163.com

上海: 86-21-34970699

上海: 86-21-64605107

上海: 100y-1@163.com