



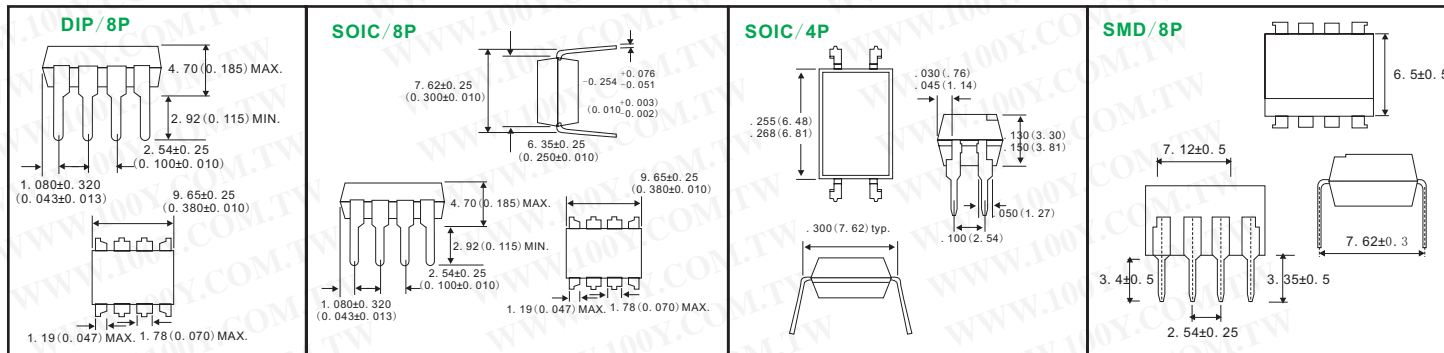
达灵顿输出光耦合 IC

详细产品规格 - 请点击 cn.100y.com.tw

100Y 编号	厂商编号	制造厂商	说明	CTR(%)	Detector Ic	Detector Vceo	Emitter If	Emitter Vf	Isolation(Vrms)	Pins/Parking
8035	H11G3	QTC	High Volt.Darlington	200%	100mA	55V	60mA	1.2V	3750Vrms	6P/DIP
23956	PC452	SHARP	Darlington phototransistor			350V	10mA	1.4V	3.75kV	4P/SOIC
34452	PS2502-2	NEC	High Isolation Volt. Photocoupler	80-600%	50mA	80V	10mA	1.4V	5000AC	8P/DIP
16597	PS2831-4	NEC	Output Darlington-Transistor Optocoupler		120mA				3750Vac	

高速-光耦合 IC

详细产品规格 - 请点击 cn.100y.com.tw



100Y 编号	厂商编号	制造厂商	说明	Detector Ic	Detector Vceo	Emitter If	Emitter Vf	Isolation(Vrms)	Pins/Parking
5380	6N137	Fairchild	High CMR, High Speed TTL Compatible Optocouplers	50mA		20mA	1.5	2500Vrms	8P/DIP
48005	HCNW136	Agilent	高速-光耦合 IC			1A	1.68V	3750Vrms	8P/DIP
33245	HCNW139	Agilent	Low Input Current, High Gain Optocouplers		18 V	0.5 mA	0.8V	5000Vrms	8P/DIP
23865	HCNW4502	Agilent	Single Channel, High Speed 1Mb/s Optocoupler			1A	1.68V	3750Vrms	8P/DIP
33249	HCPL-0201	Agilent	Very High CMR, Wide Vcc Logic Gate Optocouplers	25mA	20V	5mA	1.7V	2500Vrms	8P/SO
33251	HCPL-0501	Agilent	Single Channel, High Speed Optocouplers	16mA		25mA	1.5V	2500Vrms	8P/SO
33253	HCPL-0530	Agilent	Agilent Dual Channel, High Speed Optocouplers	16mA		25mA	1.5V	2500Vrms	8P/SO
33255	HCPL-0531	Agilent	Agilent Dual Channel, High Speed Optocouplers	16mA		25mA	1.5V	2500Vrms	8P/SO
33258	HCPL-0600	Agilent	High CMR, High Speed TTL Compatible Optocouplers	50mA	7V	20mA	1.5V	2500Vrms	8P/SO
33267	HCPL-0601	Agilent	High CMR, High Speed TTL Compatible Optocouplers	50mA	7V	20mA	1.5V	2500Vrms	8P/SOIC
33268	HCPL-0630	Agilent	High CMR, High Speed TTL Compatible Optocouplers	50mA	7V	20mA	1.5V	2500Vrms	8P/SOIC
33271	HCPL-0631	Agilent	High CMR, High Speed TTL Compatible Optocouplers	50mA	7V	15mA	1.5V	2500Vrms	8P/SOIC
33278	HCPL-2200	Agilent	Low Input Current Logic Gate Optocouplers	25mA	20V	5mA	1.5V	2500 Vrms	8-Pin DIP
15570	HCPL-2211	Agilent	Very High CMR, Wide Vcc Logic Gate Optocoupler(=HP2211)						8P/DIP
33280	HCPL-2300	Agilent	8 MBd Low Input Current Optocoupler	25mA	18V	5mA	1.3V	2500 Vrms	8-Pin DIP
33282	HCPL-2400	Agilent	20 MBd High CMR Logic Gate Optocouplers	25mA	10V	10mA	1.3V	2500Vrms	8-Pin DIP
33256	HCPL-2531	Agilent	Agilent Dual Channel, High Speed Optocouplers	16mA		25mA	1.5V	2500Vrms	8P/DIP 8P/DIP
33273	HCPL-2601	Agilent	High CMR, High Speed TTL Compatible Optocouplers	50mA	7V	20mA	1.5V	2500Vrms	8-Pin DIP
33274	HCPL-2611	Agilent	High CMR, High Speed TTL Compatible Optocouplers	50mA	7V	20mA	1.5V	2500 Vrms	8P/DIP
33275	HCPL-2630	Agilent	High CMR, High Speed TTL Compatible Optocouplers	50mA	7V	20mA	1.5V	2500 Vrms	8-Pin DIP
33276	HCPL-2631	Fairchild	High CMR, High Speed TTL Compatible Optocouplers	50mA	7V	15mA	1.5V	2500 Vrms	8-Pin DIP
33285	HCPL-2730	Agilent	Dual Channel Low Input Current, High Gain Optocouplers	60mA		20mA	1.4V	3750 Vrms	8-Pin DIP
33286	HCPL-2731	Agilent	Dual Channel Low Input Current, High Gain Optocouplers	60mA		20mA	1.4V	3750 Vrms	8-Pin DIP
28062	HCPL0631	HP	高速-光耦合 IC			7.5 mA	1.5V	2500Vrms	SOIC-8P
29371	IL300-F	Infineon	高速-光耦合 IC			60mA		5300Vrms	DIP/8P
24036	IL300-F-X001	Infineon	Linear Optocoupler, High Gain Stability, Wide Bandwidth			10mA	1.5max	5300V RMS	8P/SOIC
33949	ILCT6	VISHAY	Optocoupler, Phototransistor Output, Dual Channel	1.0nA	65V			5300 Vrms	DIP-8
45060	ILCT6	Infineon	Dual Phototransistor Optocoupler	10	65	20	1.25	5300 Vrms	8P/DIP
15565	PC922	SHARP	OPIC Photocoupler	1A	18V	25mA			8P/DIP
21386	PC923	SHARP	High Speed Photocoupler for MOS-FET / IGBT Drive		35V	20mA			8P/SMD
14412	PC923	SHARP	OPIC Photocoupler	40mA	15-30V	20mA	1.75V max	5000V rms	8P/DIP
13253	PC9D10	SHARP	OPIC, 2 CHANNEL, 10MB/S			15mA	1.75V	15mArms	8P/DIP
34534	PVG612S	IR	HEXFET® Power MOSFET Photovoltaic Relay	2A	60V	5mA	7V	4000V	6P/DIP
27441	QTC2530	QTC	Single Ch., High Speed Optocoupler						
23872	SFH6186-3	Infineon	Optocoupler, Phototransistor Output, Low Input Current		55V			5300 V RMS	4P/SOIC
34477	SN74LS86AN	Fairchild	HIGH SPEED TRANSISTOR OPTOCOUPPLERS	16mA		25mA	1.5V	2500Vrms	8 Pin DIP



服务专线: 台湾: 886-3-5753170

传 真: 台湾: 886-3-5753172

E-mail: 台湾: sale@100y.com.tw

深圳: 86-755-83298787

深圳: 86-755-83640655

深圳: 100y@163.com

上海: 86-21-34970699

上海: 86-21-64605107

上海: 100y-1@163.com