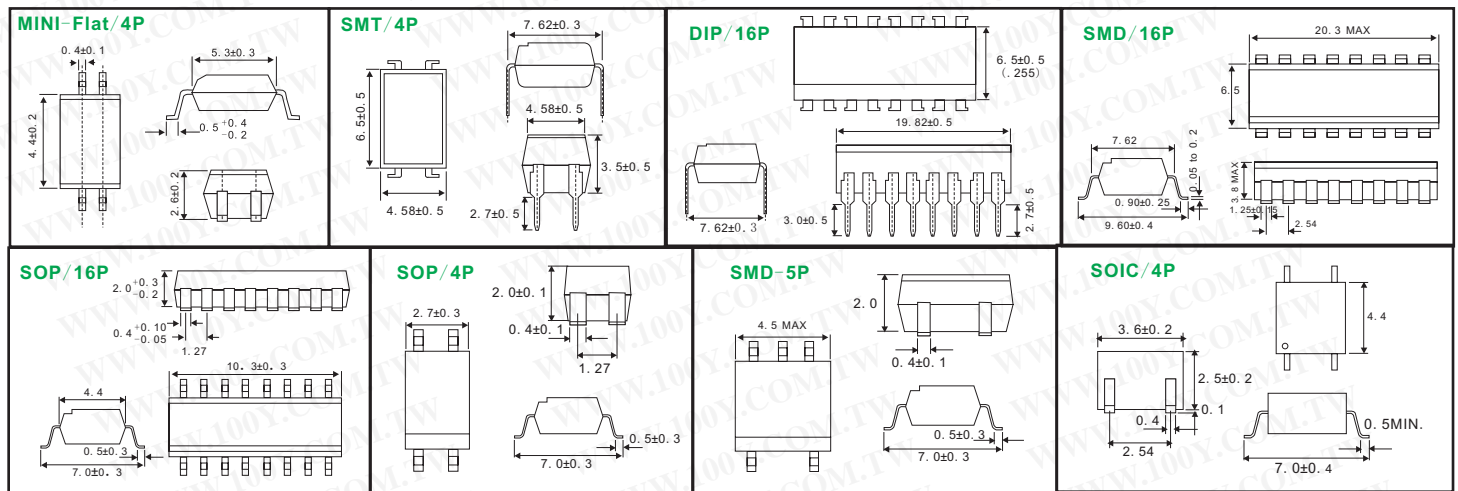




电晶体输出光耦合 IC

详细产品规格 - 请点击 cn.100y.com.tw

| 100Y 编号 | 厂商编号 | 制造厂商 | 说明 | Emitter Vf | Emitter If | Detector (Vceo) | Detector Iceo | CTR(%) | Isolation(Vrms) | Pins/Packing |
|---------|-----------|-----------|--|------------|------------|-----------------|---------------|--------------|-----------------|----------------------------|
| 22583 | H11AV1 | | OPTOISOLATORS TRANSISTOR OUTPUT | 0.8~1.5V | 60mA | 70V | 50nA | IC/IF x 100% | 6V | 6P/DIP |
| 33224 | H11AV1X | ISOCOM | OPTICALLY COUPLED ISOLATOR PHOTOTRANSISTOR OUTPUT | 1.5 V | 60mA | 70V | 50 nA | 300% | 5300Vrms | 6P/DIP |
| 32054 | H11L1 | Fairchild | OPTOISOLATORS LOGIC OUTPUT | 1.5V | 60mA | | | | | 6P/DIP |
| 32003 | H11N1 | Fairchild | HIGH SPEED LOGIC OPTOCOUPLED | 2V | 30mA | | | | | DIP |
| 33292 | HCPL-3700 | Agilent | AC/DC to Logic Interface Optocouplers | 2.6~4.9V | 1.3~2.5mA | 20V | 30mA | | 2500 Vrms | 8P/SO |
| 33293 | HCPL-3760 | Agilent | AC/DC to Logic Interface Optocouplers | 2.6~4.9V | 0.6~1.2mA | 20V | 30mA | | 2500 Vrms | 8P/SO |
| 29536 | HCPL-4503 | HP | Single Channel ,High Speed Optocouplers | 1.5V | 25mA | | | 15% | 2500Vac rms | 8P/DIP |
| 33297 | HCPL-4506 | Agilent | Intelligent Power Module and Gate Drive Interface Optocouplers | 1.5V | 25 mA | | | >44% | 2500 Vrms | 8-Pin DIP |
| 33301 | HCPL-4562 | Agilent | High Bandwidth, Analog/Video Optocouplers | 1.3V | 12mA | 20V | 8mA | | 2500 | 8-Pin DIP |
| 40662 | HMHA281 | Fairchild | HALF PITCH MINI-FLAT PACKAGE 4-PIN OPTOCOUPLED | 1~1.3V | 50mA | 80V | 100nA | 50-600% | 2500V | HALF PITCH MINI-FLAT 4-PIN |
| 16246 | ILD2 | Infineon | Phototransistor Optocoupler | 1.65V | 50mA | 70V | 50nA | 100~500% | 5300VRMS | 8P/DIP |



| 100Y 编号 | 厂商编号 | 制造厂商 | 说明 | Emitter Vf | Emitter If | Detector (Vceo) | Detector Iceo | CTR(%) | Isolation(Vrms) | Pins/Packing |
|---------|-----------------|-------|--|------------|------------|-----------------|---------------|---------------------------|-----------------|-----------------------|
| 28921 | PC357N2TJ00F | SHARP | SSOP Trans. Output Photocoupler | 1.2V | 50mA | 35V | 50mA | 50~600% min | 3750Vrms | Mini-flat |
| 11304 | PC357NT | SHARP | SMD Trans. Output Photocoupler | 6Vr | 50mA | 35V | 50mA | 50~600% min | 3750Vrms | 4P/Mini-flat (SMT) |
| 40881 | PC367N2TJ00F | SHARP | Low Input Current Type Photocoupler | 6Vr | 10mA | | | 200~400% | 3750Vrms | 4P/Mini-flat |
| 40883 | PC3Q711NIP0F | SHARP | SMD Trans. Output Photocoupler | | | | | 200~500% | | |
| 40104 | PC417 | SHARP | Compact, Surface Mount Ultra-high Speed Response OPIC Photocoupler | 1.97V | 10mA | 5V | 2 | 60% | 5V | Mini-flat package |
| 42755 | PC714V | SHARP | High Isolation Voltage Type, General Purpose Photocoupler | 1.2V | 50mA | 35V | | MAX. 10 - 7A at VCE = 20V | 50 to 600% | DIP-6 |
| 29041 | PC817A | SHARP | Transistor Output | 1.2V | 50mA | 35V | 50mA | 80~160% | 5000Vrms | 4P-DIP |
| 19344 | PC817B | SHARP | Transistor Output Photocoupler | 1.2V | 50mA | 35V | 50mA | 130~260% | 5000Vrms | 4P-DIP |
| 41508 | PC817C | SHARP | High Density Mounting Type Photocoupler | 1.4V | 20mA | 35V | 50mA | 200 to 400 | 5000Vrms | 4P/DIP |
| 4109 | PC817CX3 | SHARP | Transistor Output | 1.2 | 50mA | 35 | 50mA | 200~400% | 5000Vrms | 4P/DIP |
| 22796 | PC817X1 | SHARP | High Density Mounting Type Photocoupler | 50mA | 1.2~1.4V | | | | 5kV | 4P/DIP |
| 22800 | PC817X2 | SHARP | High Density Mounting Type Photocoupler | 50mA | 1.2~1.4V | | | | 5kV | 4P/DIP |
| 32644 | PC817X3NSZW | SHARP | Photocoupler Transistor Output | 1.2 | 50mA | 35 | 50mA | 300~600% | 5000Vrms | 4P/DIP |
| 39502 | PC817X4J000F | SHARP | DIP 4P General Purpose Photocoupler | | | | | | | 4P/DIP |
| 17675 | PC817XI | SHARP | High Density Mounting Type Photocoupler | 1.2V | 50mA | 35 | 50mA | 200~400% | 5000Vrms | 4P-SMT |
| 40443 | PC817XII | SHARP | General Purpose Photocoupler | 1.2V | 50mA | 80 | 50mA | 50~600% | 5000Vrms | 4P-SMT |
| 19353 | PC817XP | SHARP | Photocoupler Photocoupler | 1.2V | 50mA | 35V | 50mA | 200~400% | 5000Vrms | SMD |
| 14569 | PC827 | SHARP | High Density Mounting Type Photocoupler | 1.4V | 50mA | 35 | 100nA | 50~600% | 5000Vrms | 8P/DIP |
| 4106 | PC847XJ0000F | SHARP | High isolation-Transistor Output | 1.2V | 50mA | 35V | 50mA | 120% | 5000Vrms | 16P/DIP |
| 19306 | PC900VONSZXF | SHARP | Digital Output, Normal OFF OPIC Optocoupler | 1.1V | 50mA | | | | | 6P/DIP |
| 17676 | PC910 | SHARP | Ultra-high Speed Response OPIC Photocoupler | 1.6V | 20mA | 5.5V | | | 2500 | 8P/DIP |
| 48351 | PS2041 | NEC | NEC 光耦合 IC 6P-DIP | | 25mA | -0.5~15v | 8 | 60% | 2500 | 6P-DIP |
| 13330 | PS2501-1 | NEC | High Isolation Volt. Photocoupler | 1.4V | 80mA | 80V | 50mA | 80~600% | 5000 Vr.m.s. | 4P/DIP |
| 23948 | PS2501-2 | NEC | High Isolation Volt. Photocoupler | 1.4V | | 80V | | 80~600% | 5000 Vr.m.s. | 8P-DIP |
| 13266 | PS2501-4 | NEC | High Isolation Volt. Photocoupler | 1.4V | 80mA | 80V | 50mA | 80~600% | 5000 Vr.m.s. | 16P-DIP |
| 20582 | PS2501L-1-E3 | NEC | High Isolation Volt. Photocoupler | 1.4V | 80mA | 80V | 50mA | 200~400% | 5000 Vr.m.s. | SMD-4P |
| 17179 | PS2502-1 | NEC | High Isolation Volt. Photocoupler | 1.4V | 80mA | 40V | 400nA | 200% min | 5000V | DIP-4P |
| 16847 | PS2502-4 | NEC | High Isolation Volt. Photocoupler | 1.4V | 80mA | 40V | 400nA | 200% min | 5000V | DIP-16 |
| 17178 | PS2502L-1 | NEC | High Isolation Volt. Photocoupler | 1.4V | 80mA | 40V | 400nA | 200% min | 5000V | SMD-4P |
| 17177 | PS2502L-4 | NEC | High Isolation Volt. Photocoupler | 1.4V | 80mA | 40V | 400nA | 200% min | 5000V | SMD-16 (Lead Bending) |
| 41078 | PS2561-1-V-A(L) | NEC | 光耦合 IC(窄脚)(Pb Free) | 1.17V | 80mA | 80V | 100nA | 200~400% | 5000V | 4P-DIP |



服务专线: 台湾: 886-3-5753170

传 真: 台湾: 886-3-5753172

E-mail: 台湾: sale@100y.com.tw

深圳: 86-755-83298787

深圳: 86-755-83640655

深圳: 100y@163.com

上海: 86-21-34970699

上海: 86-21-64605107

上海: 100y-1@163.com