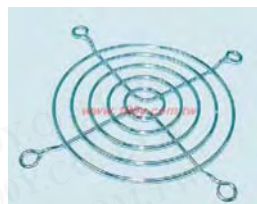


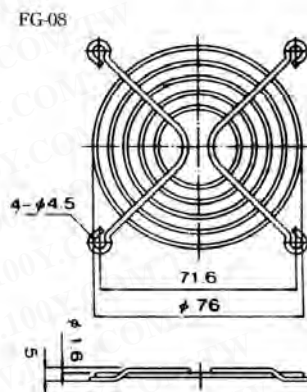
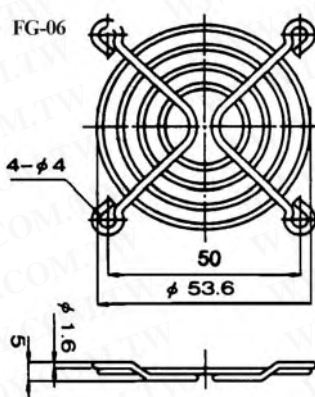
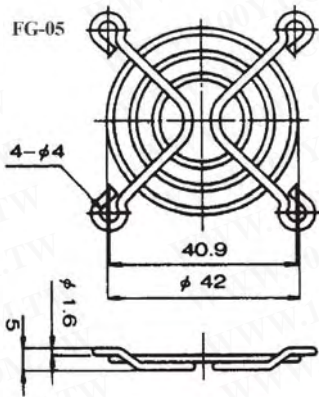
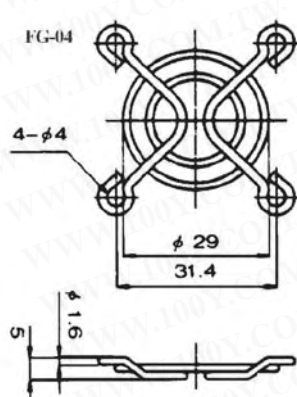
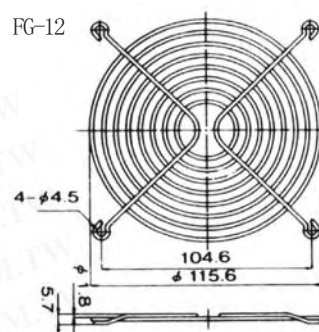
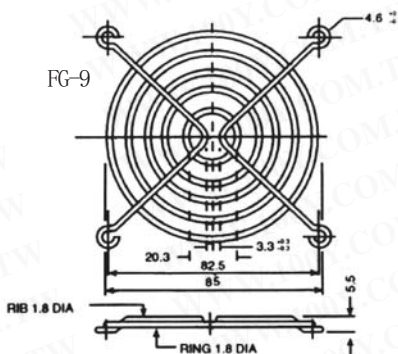
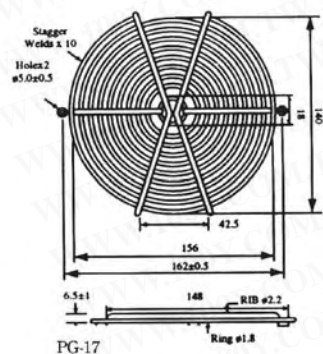


风扇网+滤网

详细产品规格 - 请点击 cn.100y.com.tw



FG-04
FG-06
FG-08
FG-09
FG-12
FG-16
FG-17



WIRE FORM FINGER

GUARD is designed to ensure safe operation and meet UL .25 dia plug gage test.

Nickel chrome plating is standard finish.

Fan Guards

A range of metal and plastic finger guards suitable for use with the A.C./D.C. fans shown above.

All types of guard are designed to prevent fingers or other similar size objects from coming into contact with the moving parts of the fan. The plastic types are also available with a filter assembly to prevent small dust particles entering the equipment.



100Y 编号	厂商编号	说明	材质
1774	FG-04	FOR 40mm FAN 风扇网	不 钢
1775	FG-06	FOR 60mm FAN 风扇网	不 钢
1776	FG-08	FOR 80mm FAN 风扇网	不 钢
1777	FG-09	FOR 90mm FAN 风扇网	不 钢
1778	FG-12	FOR 120mm FAN 风扇网	不 钢
2694	FG-16	FOR 160mm FAN 风扇网	不 钢
1779	FG-17	FOR 170mm FAN 风扇网	不 钢

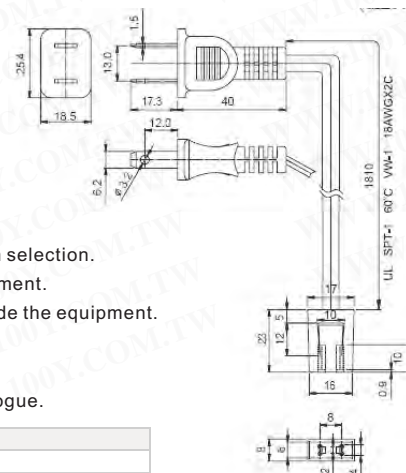
风扇电源插头线

详细产品规格 - 请点击 cn.100y.com.tw



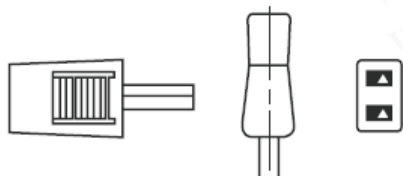
The Performance specification of air flow and static pressure shown in this catalog is measured using the exhaust method. A double chamber is used in accordance with AMCA 210 standard or DIN 24163 specification.

Actual measurements are recorded when the fan speed is stabilized at rated voltage.



The following points should be considered when making fan selection.

1. Determine the amount of heat generated inside the equipment.
2. Calculate the maximum permissible temperature rise inside the equipment.
3. Calculate the air volume necessary from equation.
4. Estimate the system resistance in the unit.
5. Select the fan from performance curves shown in this catalogue.



100Y 编号	厂商编号	说明
15246	A2-10	FAN 电源线接头

