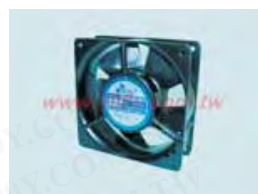


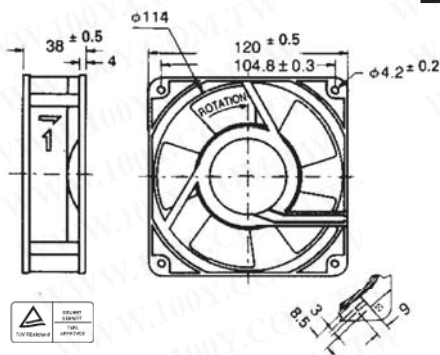


AC 风扇

详细产品规格 - 请点击cn.100y.com.tw



UF12A12-H



General:

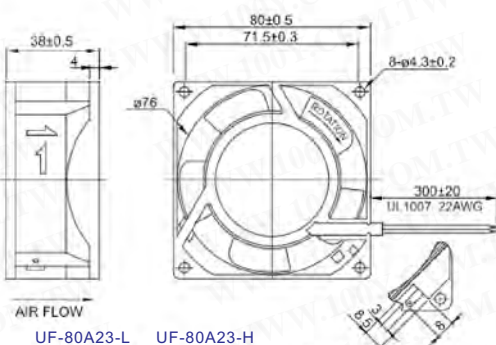
- Frame/Housing: Aluminum die-casting or plastic
- Impeller: Plastic 94V-0
- Bearing: Ball bearing or sleeve bearing
- Motor: Shaded pole or capacitor induction
- Air Direction: Label side direction
- Connects: Lead wire or terminal type
- Protection: Impedance protection or thermal protection
- Insulation Resistance: Above 100MΩ , DC500V
- Dielectric withstand voltage: AC1500V(50/60Hz) one min.
- Operating Temperature: Ball bearing: -40℃~70℃  
Sleeve bearing: -20℃~70℃
- Life: Ball bearing:40,000 hr. (At ordinary temperature and humidity)  
Sleeve bearing: 15,000 hr. (At ordinary temperature and humidity)
- Safety: UL, CSA, VDE, CE, TUV are approved



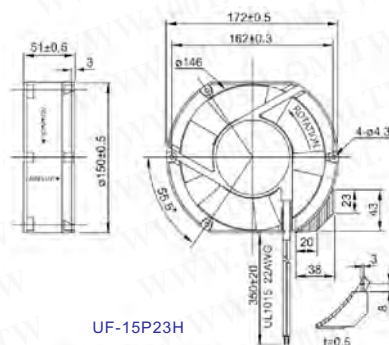
100Y 编号	厂商编号	制造厂商	说明	Air Flow(CFM)	尺寸(mm)	电流(A)	Watts	Noise (dBA)	电压	r.p.m	Ball/Sleeve
14671	UF12A12-H	FULLTECH	AC 轴流扇	2.6/3	120*120*38mm	0.19/0.22	17/15	45/47	120VAC	2700/3100	Sleeve



UF-80A23-L UF-80A23-H  
UF-15P23H



UF-80A23-L UF-80A23-H  
Terminal or Lead Wire Type



UF-15P23H  
Terminal or Lead Wire Type



General:

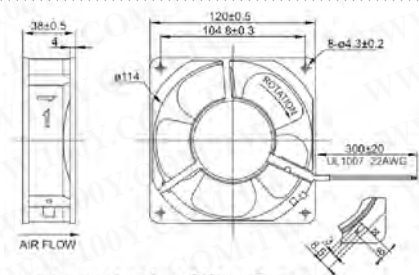
- Frame/Housing: Aluminum die-casting or plastic
- Bearing: Ball bearing or sleeve bearing
- Air Direction: Label side direction
- Protection: Impedance protection or thermal protection
- Dielectric withstand voltage: AC1500V(50/60Hz) one min.
- Operating Temperature: Ball bearing: -40℃~70℃ , Sleeve bearing: -20℃~70℃
- Life: Ball bearing:40,000 hr. (At ordinary temperature and humidity) . Sleeve bearing: 15,000 hr. (At ordinary temperature and humidity)
- Safety: UL, CSA, VDE, CE, TUV are approved
- Impeller: Plastic 94V-0
- Motor: Shaded pole or capacitor induction
- Connects: Lead wire or terminal type
- Insulation Resistance: Above 100MΩ , DC500V



100Y 编号	厂商编号	制造厂商	说明	Air Flow(CFM)	电流(A)	Watts	电压	r.p.m	Ball/Sleeve
29505	UF-15P23H	FULLTECH	FULLTECH_AC 风扇	170~195	0.18~0.23		230V	2750~3100	
31766	UF-80A23-H	FULLTECH	FULLTECH_AC 风扇	24/30	0.06~0.07	14/12W	230V	2500/3000	Ball
31767	UF-80A23-L	FULLTECH	FULLTECH_AC 风扇	20~25	0.05~0.06	14/12	230V	1900~2400	



UF12A23-BTH0  
UF12A23-BTL



Terminal or Lead Wire Type

General:

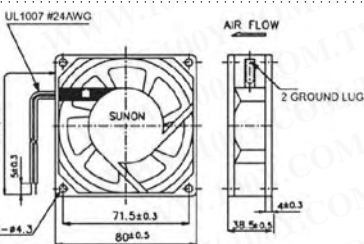
- Frame/Housing: Aluminum die-casting or plastic
- Impeller: Plastic 94V-0
- Bearing: Ball bearing or sleeve bearing
- Motor: Shaded pole or capacitor induction
- Air Direction: Label side direction
- Connects: Lead wire or terminal type
- Protection: Impedance protection or thermal protection
- Insulation Resistance: Above 100MΩ , DC500V
- Dielectric withstand voltage: AC1500V(50/60Hz) one min.
- Operating Temperature: Ball bearing: -40℃~70℃  
Sleeve bearing: -20℃~70℃
- Life: Ball bearing:40,000 hr. (At ordinary temperature and humidity)  
Sleeve bearing: 15,000 hr. (At ordinary temperature and humidity)
- Safety: UL, CSA, VDE, CE, TUV are approved



100Y 编号	厂商编号	制造厂商	说明	Air Flow(CFM)	尺寸(mm)	电流(A)	Watts	Noise (dBA)	电压	r.p.m	Ball/Sleeve
35001	UF12A23-BTH0	FULLTECH	AC 轴流扇	2.1/2.3	120*120*38mm	0.07-0.09A	17/15	36/38	230V	2100/2300	Sleeve
39368	UF12A23-BTL	FULLTECH	AC 轴流扇	2.1/2.3	120*120*38mm	0.07-0.09A	17/15	36/38	230V	2100/2300	Sleeve



SF11580A1083HSL  
SF23080A2083HSL



SF11580A1083HSL

Description: AC风扇  
Volt.: 115  
r.p.m: 2300/2750  
Current(A): 0.15/0.13  
Watts: 14/12  
Air Flow(CFM): 23/30  
Noise (dBA): 31/35  
Ball/Sleeve: Sleeve  
Size(mm): 80\*80\*38

SF23080A2083HSL

Description: AC风扇  
Volt.: 220/240  
r.p.m: 2300/2750  
Current(A): 0.07/0.06  
Watts: 14/13.5  
Air Flow(CFM): 23/30  
Noise (dBA): 31/35  
Ball/Sleeve: Sleeve  
Size(mm): 80\*80\*38



100Y 编号	厂商编号	制造厂商	说明	Air Flow(CFM)	尺寸(mm)	电流(A)	Watts	Noise (dBA)	电压	r.p.m	Ball/Sleeve
2755	SF11580A1083HSL	SUNON	AC 风扇	23/30	80*80*38	0.15/0.13	14/12	31/35	115	2300/2750	Sleeve
2754	SF23080A2083HSL	SUNON	AC 风扇	23/30	80*80*38	0.07/0.06	14/13.5	31/35	220/240	2300/2750	Sleeve

