

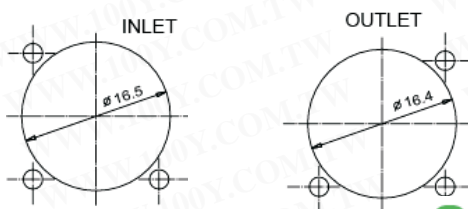


DC 风扇

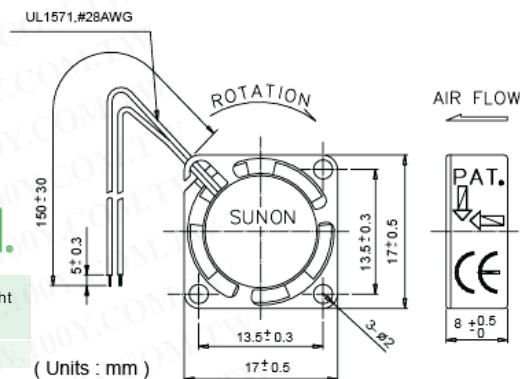
详细产品规格 - 请点击 cn.100y.com.tw



GM0517PDV2-8



SUNON.



Model	P/N	Bearing	Rating Voltage (VDC)	Power Current (AMP)	Power Consumption (WATTS)	Speed (RPM)	Air Flow (CFM)	Static Pressure (inch-H ₂ O)	Noise (DBA)	Weight (G)
GM0517PCV2-8	GN	VAPO 2BAII	5	0.11	0.6	1500	0.7	0.17	16	4.36

100Y 编号	厂商编号	制造厂商	说明	尺寸(mm)	电压	r.p.m	电流(A)	Watts	Air Flow(CFM)	Noise (dBA)	Ball/Sleeve
22666	GM0517PDV2-8	SUNON	DC 风扇	17*17*8	5V	15000	0.11	0.6	0.7	16	VAPO



KDE1204PFV2.11.MS.A.GN

Motor

Patented Brushless DC motor design.

Frame

Injection molded non-flammable black thermoplastic

UL 94V-0 rating and aluminum

Bearing System :

Precision, life-lubricated ball bearing system

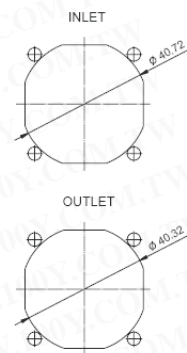
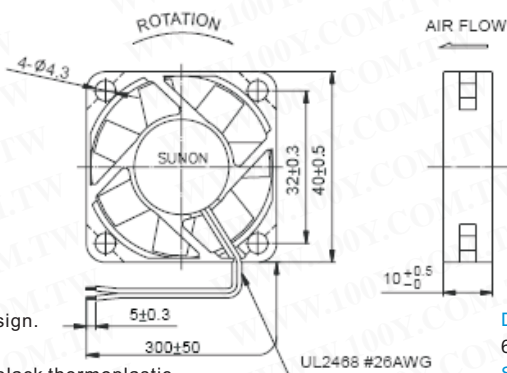
Precision, oil-impregnated sintered sleeve bearing system

Insulation

Class E integral ground system rated @100 Deg C

Insulation Resistance

More than 500M ohm between internal stator and lead wire(+) measured by DC 500V



Dielectric Strength

600VAC for one minute

Safety Protection :Electronic locked rotor protected

Operating Temperature

-10 to +70 Deg.C

Storage Temperature

-40 to +70 Deg.C

Operating Voltage

Rated voltage ±15%

Professional Design

We Can design to fit any special application requirement

SUNON.

100Y 编号	厂商编号	制造厂商	说明	尺寸(mm)	电压	r.p.m	电流(A)	Watts	Air Flow(CFM)	Noise (dBA)	Ball/Sleeve
39598	KDE1204PFV2.11.MS.A.GN	SUNON	风扇带线式	40*40*10	12V	5800	0.08A	1.0	7.0	27	VAPO



KD1206PFS1.G(9).GN
KDE0505PFV1.11.MS.A.GN

Motor

Patented Brushless DC motor design.

Frame

Injection molded non-flammable black thermoplastic

UL 94V-0 rating and aluminum

Bearing System :

Precision, life-lubricated ball bearing system

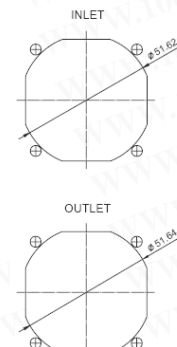
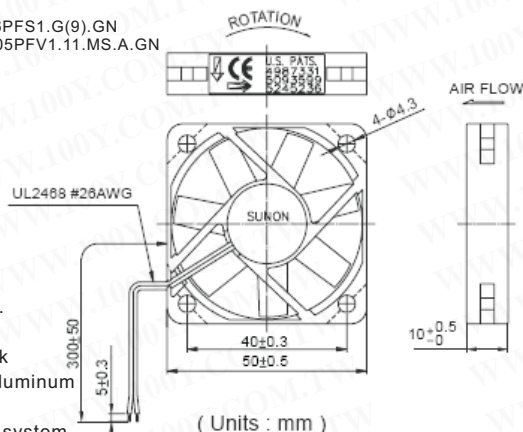
Precision, oil-impregnated sintered sleeve bearing system

Insulation

Class E integral ground system rated @100 Deg C

Insulation Resistance

More than 500M ohm between internal stator and lead wire(+) measured by DC 500V



Dielectric Strength

600VAC for one minute

Safety Protection :Electronic locked rotor protected

Operating Temperature

-10 to +70 Deg.C

Storage Temperature

-40 to +70 Deg.C

Operating Voltage

Rated voltage ±15%

Professional Design

We Can design to fit any special application requirement

SUNON.

100Y 编号	厂商编号	制造厂商	说明	尺寸(mm)	电压	r.p.m	电流(A)	Watts	Air Flow(CFM)	Noise (dBA)	Ball/Sleeve
38726	KD1206PFS1.G(9).GN	SUNON	风扇带线式-RoHS	60*60*10mm	12Vdc	4000	0.135A	1.6W	16	28.5	Sleeve
39681	KDE0505PFV1.11.MS.A.GN	SUNON	风扇带线式	50*50*10	5V	5200	0.27A	1.4	13.0	30	VAPO

