



DC 风扇

详细产品规格 - 请点击 cn.100y.com.tw



D08G4508-6
D08G4506-6
D08G4503-6
D08G4501-6
D08G4500-6

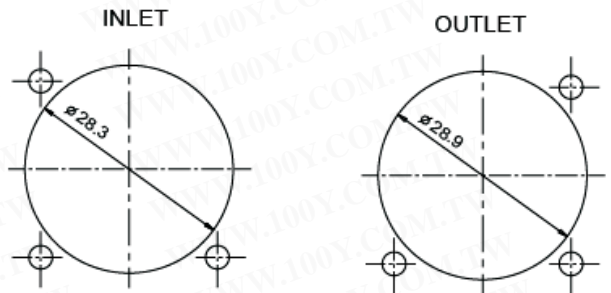
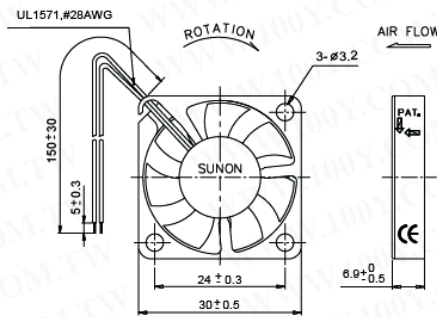
Dimensions: 80 x 80 x 25.4mm
Weight: 71.5g
Air flow: 34CFM
Rated voltage: DC12V (24V also available)
Input current: 0.20A
Input power: 2.4W
Static pressure: 0.12 (inch-H2O)
Noise level: 30dBA
Housing: thermoplastic UL94V-0 PBT PCB UL standard 95HB
Lead wire: AWG#26. UL1007
Bearing: Sleeve Bearing (Ball Bearing also available)

Insulation resistance: 10M ohm at 500V DC between lead wire (+) and frame
Dielectric withstand: 5mA max. at 500V AC for 1 min between lead wire (+) and frame
Speed: Middle-2600RPM ±10%
Life expectancy: 50000 hours at 25°C (ball bearing)
20000 hours at 25°C (sleeve bearing)
Operating temperature: satisfies specifications after exposure (10°C ~ +65°C)
Storage temperature: -30°C+70°C for 100 hours returns to normal room temperature for 24 hours
Above measurements apply at 25°C+/-5°C relative humidity 65%+/-15%(RH)

100Y 编号	厂商编号	说明	尺寸(mm)	电压	r.p.m	电流(A)	Watts	Air Flow(CFM)	Noise (dBA)	Ball/Sleeve
38996	D08G4500-6	UV LED 风扇 透明-橘	80*80*25.4mm	DC12V	2600	0.2A	2.4W	34	30	Sleeve
38997	D08G4501-6	UV LED 风扇 透明-蓝	80*80*25.4mm	DC12V	2600	0.2A	2.4W	34	30	Sleeve
38998	D08G4503-6	UV LED 风扇 透明-绿蓝	80*80*25.4mm	DC12V	2600	0.2A	2.4W	34	30	Sleeve
38999	D08G4506-6	UV LED 风扇 透明-橘绿	80*80*25.4mm	DC12V	2600	0.2A	2.4W	34	30	Sleeve
39000	D08G4508-6	UV LED 风扇 透明-蓝橘	80*80*25.4mm	DC12V	2600	0.2A	2.4W	34	30	Sleeve



GM0503PFV1-8.GN
GM1203PFV2-8GN

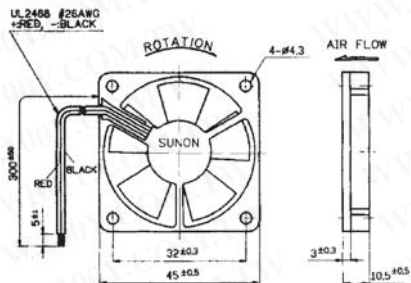


SUNON.

100Y 编号	厂商编号	制造厂商	说明	尺寸(mm)	电压	r.p.m	电流(A)	Watts	Air Flow(CFM)	Noise (dBA)	Ball/Sleeve
40278	GM0503PFV1-8.GN	SUNON	风扇带线式	30*30*10	5V	9500	0.14A	0.7	5.5	23	VAPO
32192	GM1203PFV2-8GN	SUNON	风扇带线式	30*30*10	12V	8000	42mA	0.5W	4.6	20	VAPO



KD1245PFS1-H



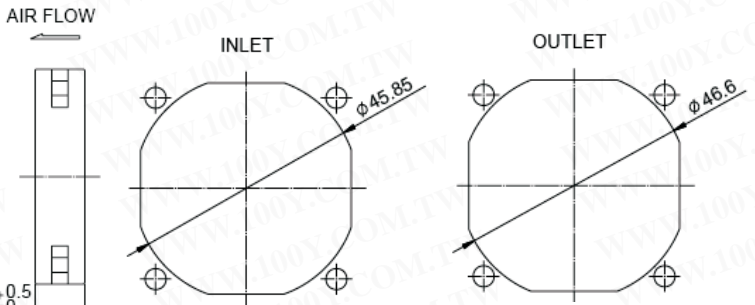
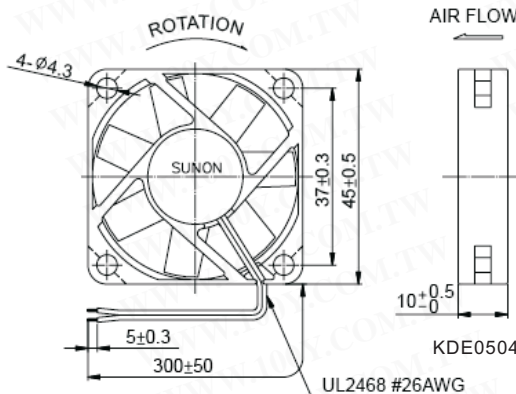
- 5.5 to 9.0 CFM
- 5 and 12 VDC (nominal)
- Patented Single-coil Brushless 8 Poles DC Motor Design
- Locked Rotor Protection
- Low Power Consumption
- Lubricated Sintered Sleeve Bearing System or Precision Ball Bearing System
- 26 AWG UL Rating Leadwire, "+" Red and "-" Black
- UL, CUR & TUV Approval

SUNON.

100Y 编号	厂商编号	制造厂商	说明	尺寸(mm)	电压	r.p.m	电流(A)	Watts	Air Flow(CFM)	Noise (dBA)	Ball/Sleeve
1784	KD1245PFS1-H	SUNON	风扇带线式	45*45*10mm	12Vdc	6600		1.4W	8.8	31.4	Sleeve



KDE0504PFV2.11.MS.B898.
KD0504PKB2(2)



SUNON.

100Y 编号	厂商编号	制造厂商	说明	尺寸(mm)	电压	r.p.m	电流(A)	Watts	Air Flow(CFM)	Noise (dBA)	Ball/Sleeve
19601	KD0504PKB2(2)	SUNON	风扇带线式	40x40x20	DC5V	6500	0.21	1	7	29	Ball
39030	KDE0504PFV2.11.MS.B898.A	SUNON	风扇带线式	40*40*10	5			0.4W			VAPO

