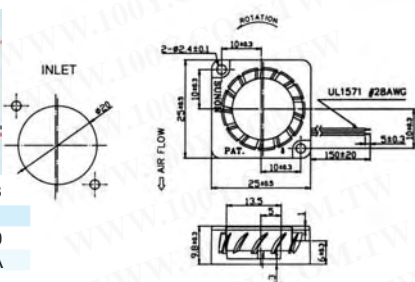




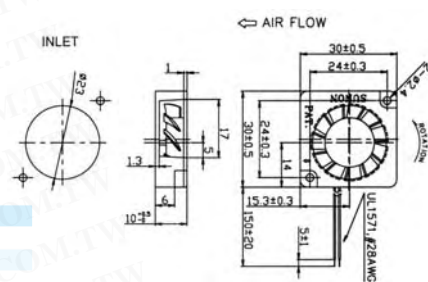
风扇+配件 DC 风扇

详细产品规格 - 请点击cn.100y.com.tw



B0502AFB1-8	
Volt:	5V
r.p.m.:	12000
Current(A):	0.18A
Watts:	0.9
Air Flow(CFM):	0.9
Noise(dBA):	34
Ball/Sleeve:	Ball

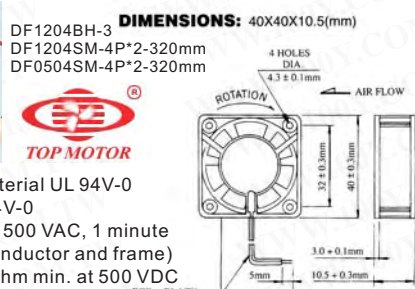
SUNON.



B0503AFB1-8	
Volt:	5V
r.p.m.:	9000
Current(A):	0.19A
Watts:	0.95
Air Flow(CFM):	1.2
Noise(dBA):	31
Ball/Sleeve:	Ball

SUNON.

100Y 编号	厂商编号	制造厂商	说明	尺寸(mm)	电压	r.p.m	电流(A)	Watts	Air Flow(CFM)	Noise (dBA)	Ball/Sleeve
16837	B0502AFB1-8	SUNON	风扇带线式	25*25*10	5V	12000	0.18A	0.9	0.9	34	Ball
16838	B0503AFB1-8	SUNON	风扇带线式	30*30*10	5V	9000	0.19A	0.95	1.2	31	Ball

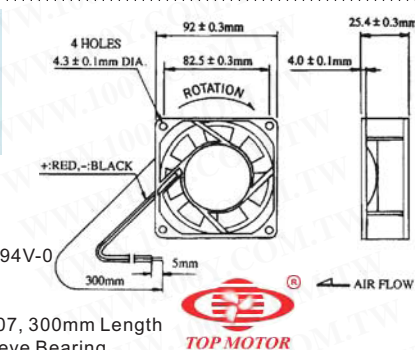


DF1204BH-3
DF1204SM-4P*2-320mm
DF0504SM-4P*2-320mm

Features: Frame: Plastic Material UL 94V-0
Blade: Plastic Material UL 94V-0
Dielectric Strength: 50/60 Hz, 500 VAC, 1 minute (between lead conductor and frame)
Insulation Resistance: 50M ohm min. at 500 VDC (between lead wire(+) and frame)
Operating Temperature: -10°C to +65°C

Volt:	5V	12V	12V
r.p.m.:	4500	5500	4500
Current(A):	0.14A	0.06A	0.04A
Watts:	0.70	0.72	0.48
Air Flow(CFM):	5.2	5	3.36
Noise(dBA):	14	19	14
Ball/Sleeve:	Sleeve	Sleeve	Sleeve

100Y 编号	厂商编号	制造厂商	说明	尺寸(mm)	电压	r.p.m	电流(A)	Watts	Air Flow(CFM)	Noise (dBA)	Ball/Sleeve
1783	DF0504SM-4P*2-320mm	Dynaeon	风扇+大 4P 接头	40*40*10.5	5V	4500	0.14	0.70	5.2	14	Sleeve
14725	DF1204BH-3	Dynaeon	风扇三线 Pins 培琳	40*40*10.5	12V	5500	0.06	0.72	5	19	Ball
8756	DF1204SM-4P*2-320mm	Dynaeon	风扇+大 4P 接头	40*40*10.5mm	12V	4500	0.04	0.48	3.36	14	Sleeve
902	DF1208SL-4P*2-540mm	Dynaeon	风扇+大 4P 接头	80*80*25.4mm	12V	2200	0.12	1.44	28	24	Sleeve
6815	DF1208SM-1	Dynaeon	风扇+感温元件	80*80*25.4mm	12V	2600	0.15	1.92	34	30	Sleeve
8429	DF1208SM-3	Dynaeon	风扇带线式	80*80*25.4mm	12V	2600	0.15	1.68	34	30	Sleeve

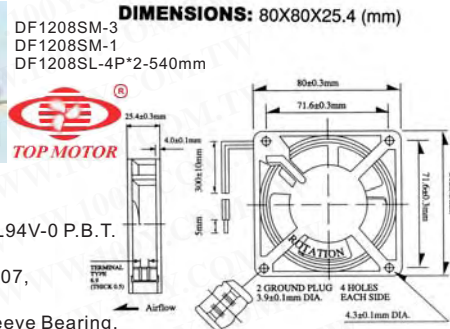


DF1209SM-1 DF129225SL-3
DF1209SL-1

DC BRUSHLESS FAN FEATURES

- Housing: Thermoplastic UL94V-0 P.B.T.
- P.C.B. : UL standard 94HB
- Lead wire: AWG #24. UL1007, 300mm Length
- Bearing: Ball Bearing & Sleeve Bearing.
- Insulation Resistance: 10M ohm at 500 V DC between lead wire (+) and frame
- Dielectric Withstand : 5mA Max. at 500V AC for 1 Min. between lead wire (+) and frame
- Life Expectancy : 50,000 Hours at 25°C. Ball bearing 20,000 Hours at 25°C. Sleeve bearing
- Operating Temperature: Fan satisfy their specification after exposure (-10°C~+65°C)
- Storage Temperature: -30°C ~ +70°C for 100 hours and returned to normal room temperature for 24 hours.
- Above measurements apply at 25°C 5°C reiative humidity 65% 15% (RH)

100Y 编号	厂商编号	制造厂商	说明	尺寸(mm)	电压	r.p.m	电流(A)	Watts	Air Flow(CFM)	Noise (dBA)	Ball/Sleeve
5014	DF1209SL-1	Dynaeon	风扇+感温元件	92*92*25.4	12	2200	0.11	1.32	25.2	27	Sleeve
7914	DF1209SM-1	Dynaeon	风扇+感温元件	92*92*25.4	12	2600	0.18	1.8	32.4	33	Sleeve
1780	DF1212025SH	Dynaeon	风扇带线式	120*120*25.4mm	12Vdc	2600	0.58	6	88	43	Sleeve
6814	DF129225SL-3	Dynaeon	风扇带线式	92*92*25.4	12	2200	0.24	1.32	25.2	27	Sleeve

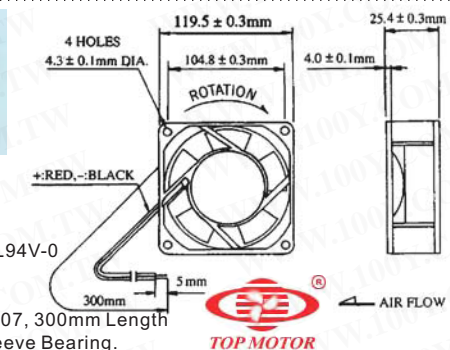


DF1208SM-3
DF1208SM-1
DF1208SL-4P*2-540mm

DC BRUSHLESS FAN FEATURES

- Housing: Thermoplastic UL94V-0 P.B.T.
- P.C.B. : UL standard 94HB
- Lead wire: AWG #24. UL1007, 300mm Length
- Bearing: Ball Bearing & Sleeve Bearing.
- Insulation Resistance: 10M ohm at 500 V DC between lead wire (+) and frame
- Dielectric Withstand : 5mA Max. at 500V AC for 1 Min. between lead wire (+) and frame
- Life Expectancy : 50,000 Hours at 25°C. Ball bearing 20,000 Hours at 25°C. Sleeve bearing
- Operating Temperature: Fan satisfy their specification after exposure (-10°C~+65°C)
- Storage Temperature: -30°C ~ +70°C for 100 hours and returned to normal room temperature for 24 hours.
- Above measurements apply at 25°C 5°C reiative humidity 65% 15% (RH)

100Y 编号	厂商编号	制造厂商	说明	尺寸(mm)	电压	r.p.m	电流(A)	Watts	Air Flow(CFM)	Noise (dBA)	Ball/Sleeve
1783	DF0504SM-4P*2-320mm	Dynaeon	风扇+大 4P 接头	40*40*10.5	5V	4500	0.14	0.70	5.2	14	Sleeve
14725	DF1204BH-3	Dynaeon	风扇三线 Pins 培琳	40*40*10.5	12V	5500	0.06	0.72	5	19	Ball
8756	DF1204SM-4P*2-320mm	Dynaeon	风扇+大 4P 接头	40*40*10.5mm	12V	4500	0.04	0.48	3.36	14	Sleeve
902	DF1208SL-4P*2-540mm	Dynaeon	风扇+大 4P 接头	80*80*25.4mm	12V	2200	0.12	1.44	28	24	Sleeve
6815	DF1208SM-1	Dynaeon	风扇+感温元件	80*80*25.4mm	12V	2600	0.15	1.92	34	30	Sleeve
8429	DF1208SM-3	Dynaeon	风扇带线式	80*80*25.4mm	12V	2600	0.15	1.68	34	30	Sleeve



DF1212025SH

DC BRUSHLESS FAN FEATURES

- Housing: Thermoplastic UL94V-0 P.B.T.
- P.C.B. : UL standard 94HB
- Lead wire: AWG #24. UL1007, 300mm Length
- Bearing: Ball Bearing & Sleeve Bearing.
- Insulation Resistance: 10M ohm at 500 V DC between lead wire (+) and frame
- Dielectric Withstand : 5mA Max. at 500V AC for 1 Min. between lead wire (+) and frame
- Life Expectancy : 50,000 Hours at 25°C. Ball bearing 20,000 Hours at 25°C. Sleeve bearing
- Operating Temperature: Fan satisfy their specification after exposure (-10°C~+65°C)
- Storage Temperature: -30°C ~ +70°C for 100 hours and returned to normal room temperature for 24 hours.
- Above measurements apply at 25°C 5°C reiative humidity 65% 15% (RH)

100Y 编号	厂商编号	制造厂商	说明	尺寸(mm)	电压	r.p.m	电流(A)	Watts	Air Flow(CFM)	Noise (dBA)	Ball/Sleeve
5014	DF1209SL-1	Dynaeon	风扇+感温元件	92*92*25.4	12	2200	0.11	1.32	25.2	27	Sleeve
7914	DF1209SM-1	Dynaeon	风扇+感温元件	92*92*25.4	12	2600	0.18	1.8	32.4	33	Sleeve
1780	DF1212025SH	Dynaeon	风扇带线式	120*120*25.4mm	12Vdc	2600	0.58	6	88	43	Sleeve
6814	DF129225SL-3	Dynaeon	风扇带线式	92*92*25.4	12	2200	0.24	1.32	25.2	27	Sleeve

